

WHIZ 2.0

SLEEK AND ARCHITECTURAL
HIGH CEILING SOLUTION

Housing

Diameter : Ø16.2" | Height : 4.4" | Weight : 33 lbs

Material

Housing : High Pressure Die-Cast Aluminum
Lens : High transmittance clear tempered glass

Power Input

120W, 170W, 240W, 300W | 120-277V, 347-480V

Lumen Output

13,900 lm (120W), 19,600 lm (170W), 26,700 lm (240W), 35,400 lm (300W)

Dimming

Standard 0-10V : Dims to 10%
Superior 0-10V : Dims to 1%
LDE1 : Hi-Lume 1% EcoSystem
TRC : Linear line-voltage phase control, dims to 1%
DMX : High resolution dims to 0.1%
DALI : Dims to 10%

Color Quality

CRI 75, CRI 85

Rated Life

> 100,000 Hours (L70)

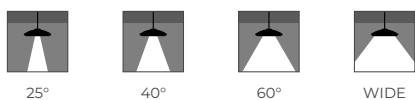
Finish



Color Temperature



Optics



Warranty

5 Year limited warranty

Listing



Designed For The Ones Who Expect The Extraordinary.

The Whiz 2.0 redefines high ceiling design, with a High Bay look that is unlike any other. This architectural fixture is suitable for mounting heights of 30ft and above and delivers high performance as well as clean aesthetics.

The Whiz 2.0 can be configured for both direct and indirect lighting, is available in Wet Location listed ratings, as well as Colorflip™ color-changing technologies.



SPECIFICATION SHEET

WHIZ 2.0 SLEEK AND ARCHITECTURAL HIGH CEILING SOLUTION



SPECIFICATION

PROJECT NAME	DATE
<input type="text"/>	<input type="text"/>
CATALOG #	QUANTITY
<input type="text"/>	<input type="text"/>

WS2	MODEL	WHIZ 2.0		
<input type="text"/>	WATTAGE	120 120W 300 300W	170 170W	240 240W
<input type="text"/>	CCT / CRI	308 3000K / CRI 85 507 5000K / CRI 75	358 3500K / CRI 85	408 4000K / CRI 85
<input type="text"/>	VOLTAGE	UNV 120-277V	HVT 347-480V	120 120V
<input type="text"/>	DIMMING	NOD Non-Dimming DMX DMX dims to 0.1% (XLR Sockets) LDE1^{1,2} Hi-Lume 1% EcoSystem (UNV only)	STV Standard 0-10V dims to 10% DMX(RJ45) DMX dims to 0.1% (RJ45 Sockets) DALI² DALI dims to 10%	SPV Superior 0-10V dims to 1% TRC^{1,2} Linear line-voltage phase control, dims to 1%
<input type="text"/>	BEAM ANGLE	25 25° WD³ Wide (With diffuser)	40 40°	60 60°
<input type="text"/>	FINISH	BLK Black	WHT White	
<input type="text"/>	MOUNTING	ST2 Stem 2ft UP2⁴ Uplight Stem 2ft AUP4⁴ Adjustable Uplight 4ft	ST4 Stem 4ft UP4⁴ Uplight Stem 4ft	AD10⁴ Adjustable Cable 10ft AUP2⁴ Adjustable Uplight 2ft
<input type="text"/>	ACCESSORIES	NO No Accessories DF⁷ Diffuser GSV¹⁰ Glare Shield Visor	OCC⁵ Occupancy Sensor (Enlighted) WG⁸ Wire Guard	EMP⁶ Remote Emergency Pack SNT⁹ Snoot

¹ Option only compatible with 120W .
² Not compatible with HVT.
³ Please factor in change in lumen output with diffuser (-20% with WD; -12% with other degrees).
⁴ Option is not compatible with OCC.
⁵ Option is **only** compatible with NOD, and must be ordered with WG. Not available with 300W. OCC sensor is a mesh network-controlled device.
⁶ EMP option is not compatible with HVT voltage.
⁷ Please factor in change in lumen output with diffuser (-20% with WD; -12% with other degrees).
⁸ Please factor in change in lumen output of -14%.
⁹ Please factor in change in lumen output of -30%.
¹⁰ Please factor in change in lumen output of -25%.

SPECIFICATION SHEET

WHIZ 2.0 SLEEK AND ARCHITECTURAL HIGH CEILING SOLUTION



TECHNICAL DETAILS

Electrical

- 13,900 lm (120W), 19,600 lm (170W), 26,700 lm (240W) 35,400 lm (300W)
- Power Input: 120-277V, 347-480V
- Operating Temperature: -40°F~112°F
- Surge Protection: Built-in is 4KV
- Emergency Pack with Mounting Plate: Philips Bodine BSL20B2UEK55C111
- Power Factor Greater than 0.9

LED Features

- Color Temperature : 3000K, 3500K, 4000K, 5000K
- CRI 75, CRI 85
- Long lasting LED luminaire tested under TM21 lumen maintenance L70 @ 100,000 Hrs
- Lumen Maintenance > 0.90 at 60,000 hours

Optics

- Beam Angle : 25°, 40°, 60°, WD (With diffuser)

Advanced Dimming

- Proprietary VX Driver™ is incorporated to all dimming options for video flicker-free lighting
- Standard 0-10V: dims to 10%
- Superior 0-10V : Dims to 1%
- LDEI: Hi-Lume 1% EcoSystem (UNV only)
- TRC: Linear line-voltage phase control, dims to 1% (120V only)
- DMX : High resolution dims to 0.1% (Supports ANSI E1.20 RDM protocol)
- DALI : dims to 10%

Housing

- Diameter : Ø16.24"
- Height : 4.4"
- Weight : 33 lbs
- Material : High Pressure Die-Cast Aluminum, Tempered Glass

Mounting

- Stem Mount 2ft or 4ft
- Adjustable Cable 10ft
- Uplight Mount 2ft, 4ft
- Adjustable Uplight Mount 2ft, 4ft

Warranty

- 5-year limited warranty

Listing

- ETL Damp Location Listed
- CE
- UKCA
- FCC
- UL 924

PERFORMANCE SUMMARY*

Delivered Lumens				
CCT/WATTAGE	3000K	3500K	4000K	5000K
120W	12,400lm	12,500lm	13,300lm	13,900lm
170W	17,510lm	17,700lm	18,900lm	19,600lm
240W	21,200lm	21,400lm	22,100lm	26,700lm
300W	28,500lm	28,800lm	29,700lm	35,400lm

Current Consumption				
WATTAGE / VOLT	120V	277V	347V	480V
120W	1.1A	0.48A	0.38A	0.28A
170W	1.56A	0.68A	0.54A	0.39A
240W	2.02A	0.87A	0.76A	0.55A
300W	2.75A	1.19A	0.95A	0.69A

*Beam Angle: 40° *Tolerance ±8%

Emergency Pack Lumen Output Table				
CCT	3000K	3500K	4000K	5000K
LUMEN	1,900lm	1,920lm	1,980lm	2,360lm

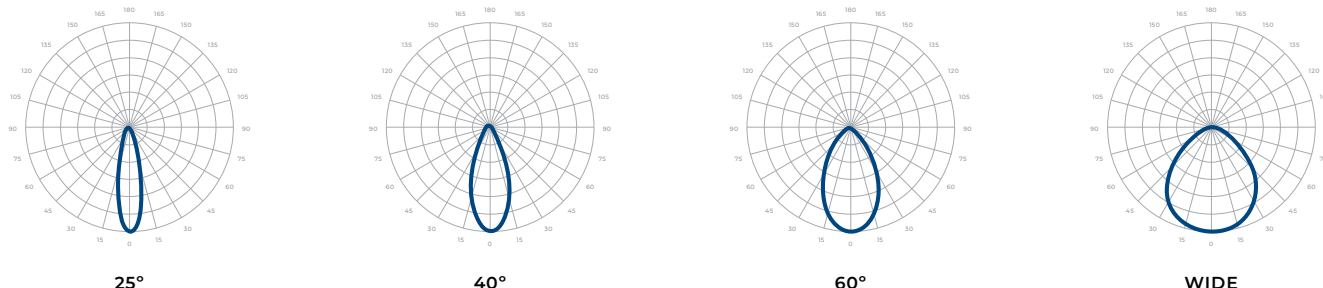
SPECIFICATION SHEET

WHIZ 2.0 SLEEK AND ARCHITECTURAL HIGH CEILING SOLUTION



PHOTOMETRICS

Below is a typical photometric representation of the Whiz 2.0 fixture. Please download IES files to ensure exact photometric value.

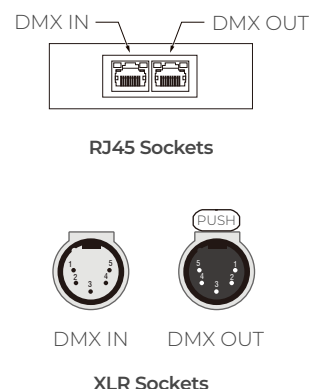


DMX REQUIREMENTS

The Whiz 2.0 fixture with DMX is a **single channel dmx** unit. When placing an order, please indicate DMX address. (The DMX address will be listed on the back of the fixture). Do not connect more than 32 fixtures per DMX daisy chain.

The fixture can be connected with RJ45 or XLR sockets. DMX cables **are not** included; please refer to compatible DMX cabling list for more information. The final fixture on each daisy chain should be terminated by the use of a DMX terminator purchased from a 3rd party or from Meteor.

CONNECTION	RJ45 (CAT5e)	5-PIN XLR
Common	WHITE/BROWN(PIN7) & BROWN (PIN 8)	PIN 1
Signal -	ORANGE (PIN 2)	PIN 2
Signal +	WHITE/ORANGE (PIN 1)	PIN 3
Spare	-	PIN 4
Spare	-	PIN 5



COMPATIBLE DMX CABLING LIST

DMX uses a cable consisting of two twisted pairs plus a shield to carry data. The cable must be specifically impedance matched for the digital DMX signal, meaning that microphone cable or other non-rated cable **must not be used to carry DMX**. Network cable (Cat5, 5e or 6 cable) may be used to carry DMX in an installation; however special consideration must be given to shielding and termination. Under no circumstances should solid core cable like Cat5 be terminated into a screw down connector.

Meteor recommends the use of Belden 9729 or Belden 9841 for DMX installation. Belden 9729/9841 is a two pair cable, which allows for a spare pair for 'out and back' type terminations if needed.

COMPATIBLE LTE DIMMER LIST

LUTRON PART NO.						
RRD-6NA-	RRT-G5NEW-	RRT-GH	HQRD-10ND-	HQRT-GH	HQRD-HN	PD-10NXD-
RRD-6ND	RRT-G25LW-	HQRD-6NA-	MRF2-6ND-120-	HQRT-G25LW-	GT-250M-	PD-5NE-
RRD-10ND-	RRD-HN	HQRD-6ND-	MRF2S-6ND-120-	HQRT-G5NEW-	GTJ-250M-	

SPECIFICATION SHEET

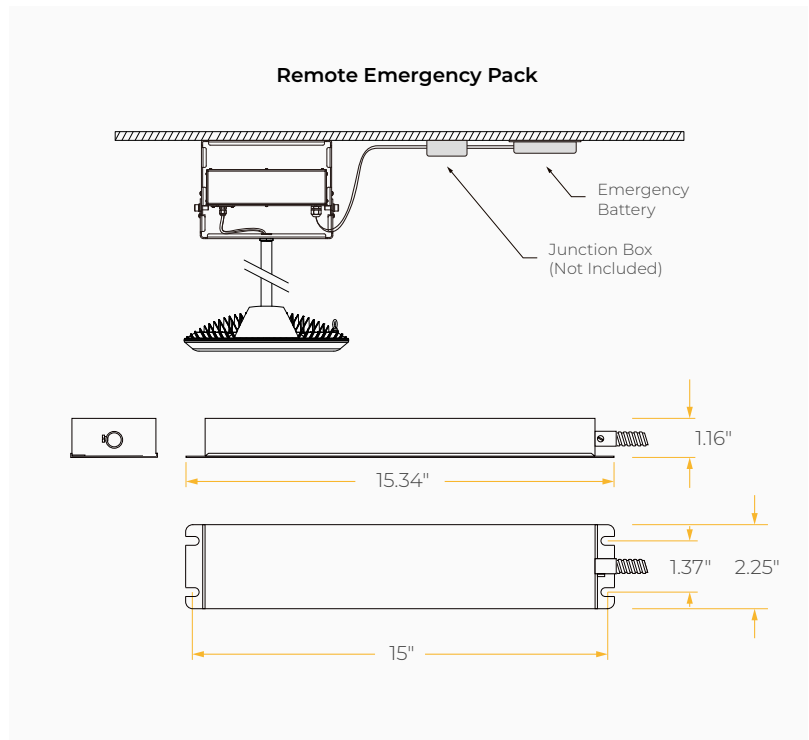
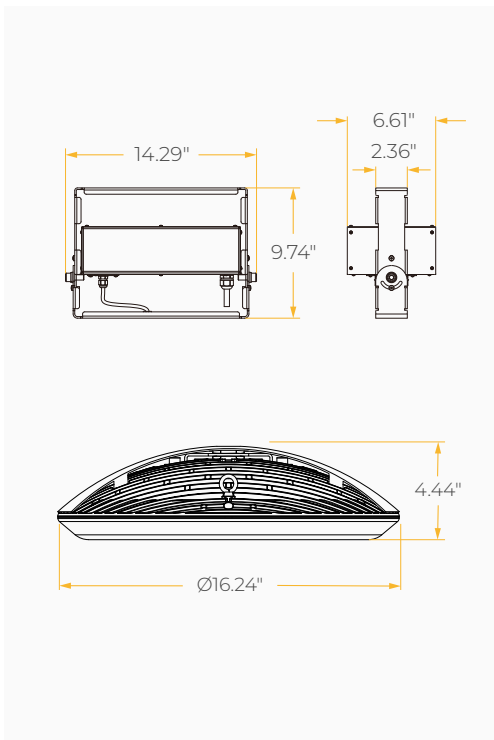
WHIZ 2.0 SLEEK AND ARCHITECTURAL
HIGH CEILING SOLUTION



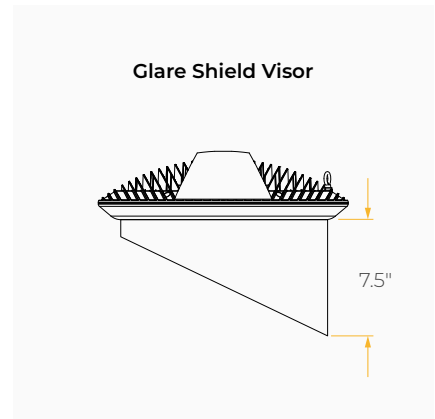
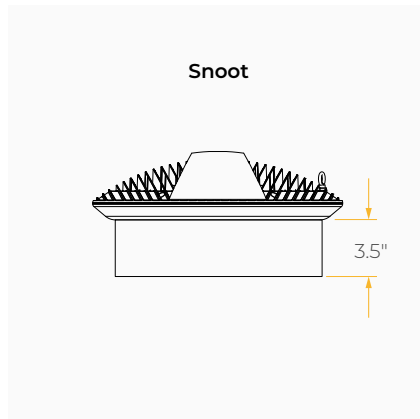
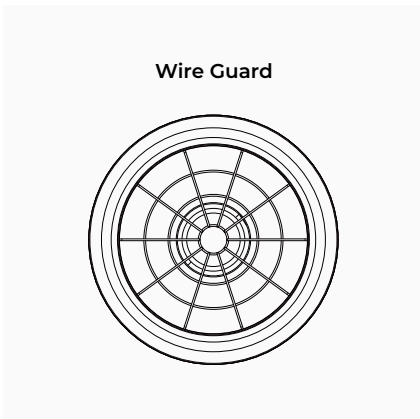
COMPATIBLE LDE1 DIMMER LIST

LUTRON PART NO.						
RMJ-ECO32-DV-B	FCJ/FCJS-ECO	QSN-1ECO-S	QSN-2ECO-S	QSGRJ-_E	QSGR-_E	QP2-__2C
QP2-__4C	QP2-__6C	QP2-__8C	LQSE-2ECO-D			

DIMENSIONS



ACCESSORY



SPECIFICATION SHEET

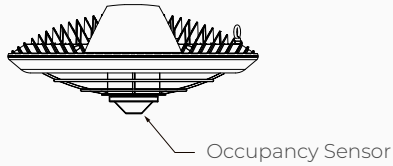
WHIZ 2.0 SLEEK AND ARCHITECTURAL
HIGH CEILING SOLUTION



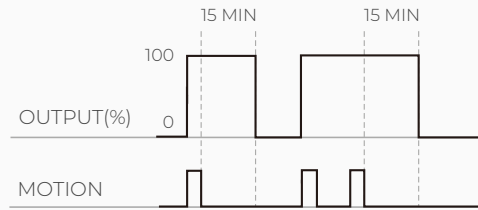
ACCESSORY

Occupancy Sensor

* Not available with any dimming option.

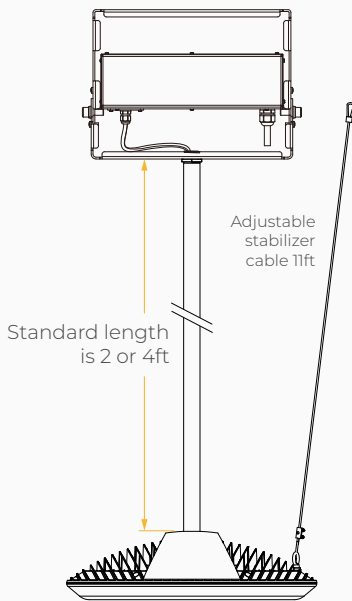


Occupancy Sensor Operation

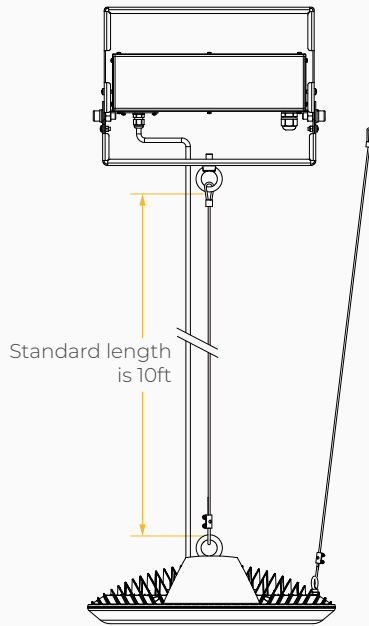


MOUNTING OPTIONS

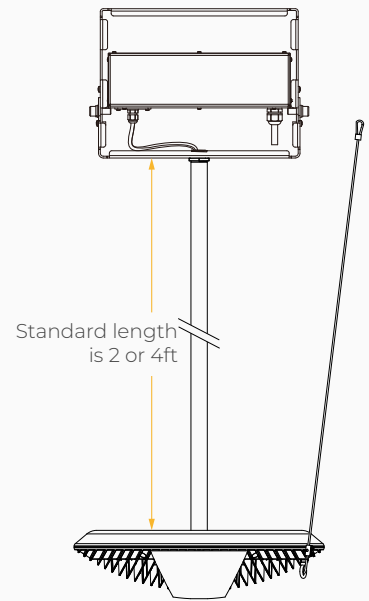
Stem Mount



Adjustable Aircraft Cable



Uplight Mount



SPECIFICATION SHEET

WHIZ 2.0 SLEEK AND ARCHITECTURAL
HIGH CEILING SOLUTION



MOUNTING OPTIONS

