

# VELA 6

SPECIFICATION SHEET  
OUTDOOR

HIGH PERFORMING CYLINDER  
WITH SHROUD & DIFFUSER OPTIONS

## Housing

Diameter : Ø6.4" | Height : 13.6" | Weight : 11.2 lbs

## Material

Housing: High Pressure Die-Cast Aluminum Body, PC Shroud

## Power Input

50W, 75W, 100W | 120-277V

## Lumen Output

4,030 lm (50W)

6,045 lm (75W)

7,655 lm (100W)

## Dimming

Standard 0-10V: Dims to 10%

## Color Quality

CRI 85

## Rated Life

> 100,000 Hours (L70)

## Finish



Black



White

## Color Temperature



3000K



3500K



4000K

## Optics



80°

## Mounting



Stem  
Mount



Adjustable  
Cable



Surface  
Mount

## Warranty

5 Year limited warranty

## Listing



## All The Performance You Need In One Family

New high performing 6-inch aperture cylinder with lumen output of 2,330 – 8,955 lm.

Available in Aluminum Shrouds, Polycarbonate Shrouds, Translucent Polycarbonate Diffuser or Clear Polycarbonate Diffuser options.

Suitable for general illumination in a wide variety of project applications.



**SPECIFICATION**

<b>PROJECT NAME</b>	<b>DATE</b>
<input type="text"/>	<input type="text"/>
<b>CATALOG #</b>	<b>QUANTITY</b>
<input type="text"/>	<input type="text"/>

<b>VA6</b>	<b>MODEL</b>	<b>VELA 6</b>		
<input type="text"/>	<b>WATTAGE</b>	<b>50</b> 50W	<b>75</b> 75W	<b>100</b> 100W
<input type="text"/>	<b>CCT / CRI</b>	<b>308</b> 3000K / CRI 85	<b>358</b> 3500K / CRI 85	<b>408</b> 4000K / CRI 85
<b>UNV</b>	<b>VOLTAGE</b>	<b>UNV</b> 120 – 277V		
<b>STV</b>	<b>DIMMING</b>	<b>STV</b> 0-10V dims to 10%		
<input type="text"/>	<b>TYPE</b>	<b>STD</b> Standard Cylinder <b>ALS22</b> Aluminum Shroud 22" <b>PCS22</b> Polycarbonate Shroud 22"	<b>ALS16</b> Aluminum Shroud 16" <b>PCS16</b> Polycarbonate Shroud 16" <b>TPD</b> Translucent Polycarbonate Diffuser	<b>ALS19</b> Aluminum Shroud 19" <b>PCS19</b> Polycarbonate Shroud 19" <b>CPD</b> Clear Polycarbonate Diffuser
<input type="text"/>	<b>FINISH</b>	<b>BLK</b> Black	<b>WHT</b> White	
<input type="text"/>	<b>MOUNTING</b>	<b>SUM</b> Surface Mount <b>AD10</b> Adjustable Cable 10ft	<b>ST2</b> Stem 2ft	<b>ST4</b> Stem 4ft
<input type="text"/>	<b>ACCESSORIES</b>	<b>NO</b> No Accessories <b>CON</b> <sup>3,4</sup> Conical Lens	<b>SPD</b> <sup>1</sup> Surge Protector	<b>ADB</b> <sup>2</sup> Aluminum Diffuser Band
<input type="text"/>	<b>RATING</b>	<b>OUT</b> <sup>5</sup> Outdoor Rating	<b>NAT</b> <sup>6</sup> Natatorium Rating	

<sup>1</sup> Surge protector for up to 10KV. Applicable for unstable mains or facilities using high-power machinery.  
<sup>2</sup> Diffuser band comes in the same color as the luminaire and is only available with PCS16.  
<sup>3</sup> CON can only be paired with ALS, PCS, FRS Types  
<sup>4</sup> Please factor in -15% change in lumen output with CON.  
<sup>5</sup> Outdoor Rating: Coating and wiring will be changed to high UV resistant and corrosion resistant materials for long-term operation in outdoor environments.  
<sup>6</sup> Natatorium Rating: Coating and sealant will be changed to high corrosion resistant materials to prevent damage from long-term exposure to chlorine vapors.

**TECHNICAL DETAILS**

**Electrical**

- 7,655lm (100W/STD)
- 8,955 lm (100W/PCS16)
- 7,915 lm (100W/ALS16)
- 4,710 lm (100W/TPD)
- 6,080 lm (100W/CPD)
- Power Input: Universal (120-277V)
- Operating Temperature: -13°F~112°F
- Surge Protection: Built-in is 4KV

**LED Features**

- Color Temperature: 3000K, 3500K, 4000K
- CRI ≥ 85
- Long lasting LED luminaire tested under TM21 lumen maintenance L70 @ 100,000 Hrs

**Optics**

- Beam Angle: 80°

**Advanced Dimming**

- Proprietary VX Driver™ is incorporated to all dimming options for video flicker-free lighting
- Standard 0-10V dims to 10%

**Housing**

- Diameter: Ø6.4"
- Material: High Pressure Die-Cast Aluminum, PC Shroud
- Height:
  - Standard - 13.6"
  - Diffuser - 23.1"
  - Shroud 16" - 22.6"
  - Shroud 19" - 23.9"
  - Shroud 22" - 25.4"
- Weight:
  - Standard - 11.2 lbs
  - Diffuser - 12.6" lbs
  - Aluminum Shroud 16" - 14.1 lbs
  - Aluminum Shroud 19" - 18.1 lbs
  - Aluminum Shroud 22" - 21.4 lbs
  - Polycarbonate Shroud 16" - 13.2 lbs
  - Polycarbonate Shroud 19" - 16.3 lbs
  - Polycarbonate Shroud 22" - 18.3 lbs

**Mounting**

- Stem Mount 2ft or 4ft
- Adjustable Cable Mount 10ft
- Surface Mount

**Warranty**

- 5-year limited warranty

**Listing**

- ETL Damp Location Listed
- FCC
- CE
- IP 65

**DELIVERED LUMENS\***

STD (Standard)			
CCT/WATTAGE	3000K	3500K	4000K
50W	3,800lm	3,910lm	4,030lm
75W	5,700lm	5,860lm	6,045lm
100W	7,215lm	7,425lm	7,655lm

\*Tolerance ±8%

PCS (PC Shroud)			
CCT/WATTAGE	3000K	3500K	4000K
50W	4,445lm	4,570lm	4,715lm
75W	6,665lm	6,860lm	7,070lm
100W	8,440lm	8,685lm	8,955lm

\*Tolerance ±8%

ALS (Aluminum Shroud)			
CCT/WATTAGE	3000K	3500K	4000K
50W	3,910lm	4,030lm	4,165lm
75W	5,865lm	6,045lm	6,250lm
100W	7,430lm	7,655lm	7,915lm

\*Tolerance ±8%

TPD (Translucent Polycarbonate Diffuser)			
CCT/WATTAGE	3000K	3500K	4000K
50W	2,330lm	2,400lm	2,480lm
75W	3,500lm	3,600lm	3,720lm
100W	4,440lm	4,570lm	4,710lm

\*Tolerance ±8%

**DELIVERED LUMENS\***

CPD (Clear Polycarbonate Diffuser)			
CCT/WATTAGE	3000K	3500K	4000K
50W	3,000lm	3,100lm	3,200lm
75W	4,520lm	4,650lm	4,800lm
100W	5,700lm	5,900lm	6,080lm

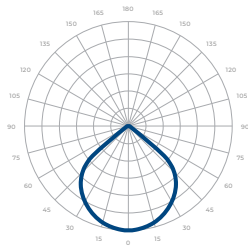
\* Tolerance ±8%

Current Consumption		
WATTAGE / VOLT	120V	277V
50W	0.46A	0.20A
75W	0.68A	0.30A
100W	0.92A	0.40A

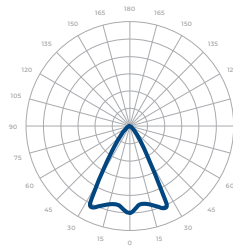
\* Tolerance ±8%

**PHOTOMETRICS**

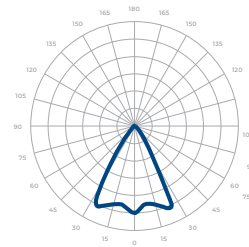
Below is a typical photometric representation of the Vela 6 fixture. Please download IES files to ensure exact photometric value.



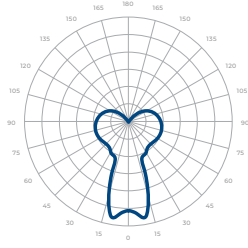
**STD (STANDARD)**



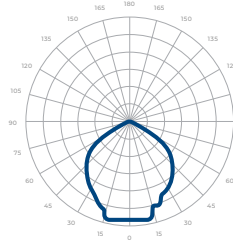
**PCS (POLYCARBONATE SHROUD)**



**ALS (ALUMINUM SHROUD)**



**TPD (TRANSLUCENT POLYCARBONATE DIFFUSER)**



**CPD (CLEAR POLYCARBONATE DIFFUSER)**

Polycarbonate Shroud



Aluminum Shroud



Aluminum Diffuser Band



Aluminum Shroud  
With Conical Lens



Clear Polycarbonate Diffuser

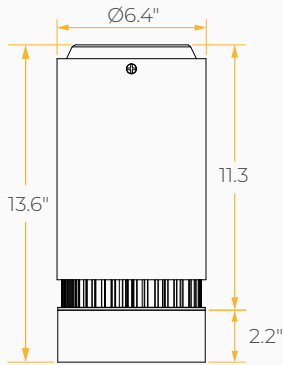


Translucent Polycarbonate Diffuser

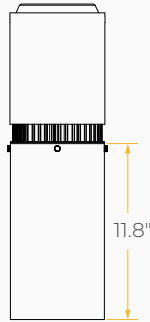


**DIMENSIONS**

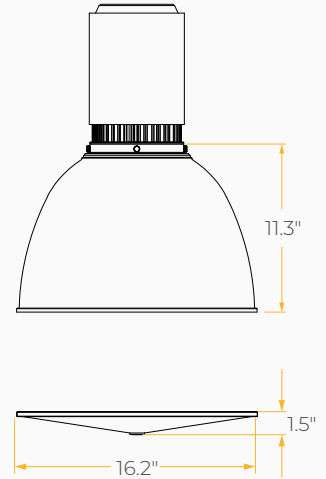
Standard Cylinder



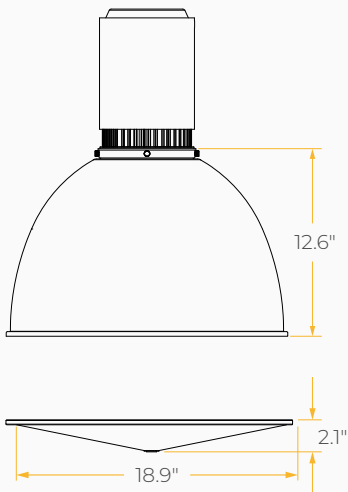
Clear Polycarbonate Diffuser /  
Translucent Polycarbonate Diffuser



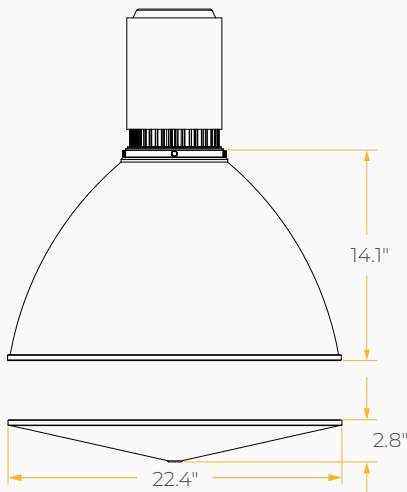
Aluminum Shroud /  
Polycarbonate Shroud 16"



Aluminum Shroud /  
Polycarbonate Shroud 19"



Aluminum Shroud /  
Polycarbonate Shroud 22"



**MOUNTING OPTIONS\***

*\*Junction Box not included*

