

VELA 6

SPECIFICATION SHEET
INDOOR

HIGH PERFORMING CYLINDER
WITH SHROUD & DIFFUSER OPTIONS

Housing

Diameter : Ø6.4" | Height : 13.6" | Weight : 11.2 lbs

Material

Housing: High Pressure Die-Cast Aluminum Body, PC Shroud

Power Input

50W, 75W, 100W | 120-277V

Lumen Output

4,700 lm (50W)

7,100 lm (75W)

9,000 lm (100W)

Dimming

Standard 0-10V: Dims to 10%

TRC: Line-voltage phase control, dims to 1% (120V only)

Color Quality

CRI 85

Rated Life

> 60,000 Hours (L70)

Finish



Black



White

Color Temperature



3000K



3500K



4000K

Optics



80°

Mounting



Stem
Mount



Adjustable
Cable



Surface
Mount

Warranty

5 Year limited warranty

Listing



All The Performance You Need In One Family

New high performing 6-inch aperture cylinder with lumen output of 2,750 – 10,500 lm.

Available in Aluminum Shrouds, Polycarbonate Shrouds, Translucent Polycarbonate Diffuser or Clear Polycarbonate Diffuser options.

Suitable for general illumination in a wide variety of project applications.



SPECIFICATION

PROJECT NAME	DATE
<input type="text"/>	<input type="text"/>
CATALOG #	QUANTITY
<input type="text"/>	<input type="text"/>

VA6	MODEL	VELA 6		
<input type="text"/>	WATTAGE	50 50W	75 75W	100 100W
<input type="text"/>	CCT / CRI	308 3000K / CRI 85	358 3500K / CRI 85	408 4000K / CRI 85
UNV	VOLTAGE	UNV 120 – 277V		
<input type="text"/>	DIMMING	STV 0-10V dims to 10%	TRC ¹ Line-voltage phase control, dims to 1% (120V only)	
<input type="text"/>	TYPE	STD Standard Cylinder ALS22 Aluminum Shroud 22" PCS22 Polycarbonate Shroud 22"	ALS16 Aluminum Shroud 16" PCS16 Polycarbonate Shroud 16" TPD Translucent Polycarbonate Diffuser	ALS19 Aluminum Shroud 19" PCS19 Polycarbonate Shroud 19" CPD Clear Polycarbonate Diffuser
<input type="text"/>	FINISH	BLK Black	WHT White	
<input type="text"/>	MOUNTING	SUM Surface Mount AD10 Adjustable Cable 10ft	ST2 Stem 2ft	ST4 Stem 4ft
<input type="text"/>	ACCESSORIES	NO No Accessories CON ^{3,4} Conical Lens	SPD ² Surge Protector ADB ⁵ Aluminum Diffuser Band	EMP Remote Emergency Pack CT ⁶ Conduit Mount

¹ Option is only compatible with 120V and 50W
² Surge protector for up to 10KV. Applicable for unstable mains or facilities using high-power machinery
³ CON can only be paired with ALS, PCS, FRS Types
⁴ Please factor in -15% change in lumen output with CON
⁵ Diffuser band comes in the same color as the luminaire and is only available with PCS16
⁶ CT only compatible with ST and AD mounting types

TECHNICAL DETAILS

Electrical

- 9,005 lm (100W/STD)
- 10,535 lm (100W/PCS16)
- 10,010 lm (100W/ALS16)
- 5,545 lm (100W/TPD)
- 7,155 lm (100W/CPD)
- Power Input: Universal (120-277V)
- Operating Temperature: -13°F~112°F
- Surge Protection: Built-in is 4KV
- Remote Emergency Pack: Philips Bodine BSL20B2UEK55C111

LED Features

- Color Temperature: 3000K, 3500K, 4000K
- CRI ≥ 85
- Long lasting LED luminaire tested under TM21 lumen maintenance L70 @ 60,000 Hrs

Optics

- Beam Angle: 80°

Advanced Dimming

- Proprietary VX Driver™ is incorporated to all dimming options for video flicker-free lighting
- Standard 0-10V dims to 10%
- TRC : Line-voltage phase control, dims to 1% (120V only)

Housing

- Diameter: Ø6.4"
- Material: High Pressure Die-Cast Aluminum, PC Shroud
- Height:
 - Standard - 13.6"
 - Diffuser - 23.1"
 - Shroud 16" - 22.6"
 - Shroud 19" - 23.9"
 - Shroud 22" - 25.4"
- Weight:
 - Standard - 11.2 lbs
 - Diffuser - 12.6" lbs
 - Aluminum Shroud 16" - 14.1 lbs
 - Aluminum Shroud 19" - 17.2 lbs
 - Aluminum Shroud 22" - 21.2 lbs
 - Polycarbonate Shroud 16" - 13.2 lbs
 - Polycarbonate Shroud 19" - 16.3 lbs
 - Polycarbonate Shroud 22" - 18.3 lbs

Mounting

- Stem Mount 2ft or 4ft
- Surface Mount
- Adjustable Cable Mount 10ft

Warranty

- 5-year limited warranty

Listing

- ETL Damp Location Listed
- FCC
- CE

PERFORMANCE SUMMARY*

STD (Standard)			
CCT/WATTAGE	3000K	3500K	4000K
50W	4,470lm	4,600lm	4,740lm
75W	6,700lm	6,900lm	7,110lm
100W	8,490lm	8,735lm	9,005lm

*Tolerance ±8%

PCS (Polycarbonate Shroud)			
CCT/WATTAGE	3000K	3500K	4000K
50W	5,230lm	5,380lm	5,545lm
75W	7,840lm	8,070lm	8,320lm
100W	9,930lm	10,220lm	10,535lm

*Tolerance ±8%

ALS (Aluminum Shroud)			
CCT/WATTAGE	3000K	3500K	4000K
50W	4,965lm	5,110lm	5,270lm
75W	7,450lm	7,665lm	7,900lm
100W	9,435lm	9,710lm	10,010lm

*Tolerance ±8%

TPD (Translucent Polycarbonate Diffuser)			
CCT/WATTAGE	3000K	3500K	4000K
50W	2,750lm	2,830lm	2,920lm
75W	4,125lm	4,245lm	4,380lm
100W	5,225lm	5,380lm	5,545lm

*Tolerance ±8%

PERFORMANCE SUMMARY*

CPD (Clear Polycarbonate Diffuser)			
CCT/WATTAGE	3000K	3500K	4000K
50W	3,550lm	3,655lm	3,765lm
75W	5,325lm	5,480lm	5,650lm
100W	6,745lm	6,940lm	7,155lm

EMP (Remote Emergency Pack)		
CCT	3000K	4000K
Lumen	1,760lm	1,890lm

*Tolerance ±8%

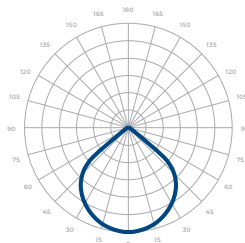
*Tolerance ±8%

Current Consumption		
WATTAGE / VOLT	120V	277V
50W	0.46A	0.20A
75W	0.68A	0.30A
100W	0.92A	0.40A

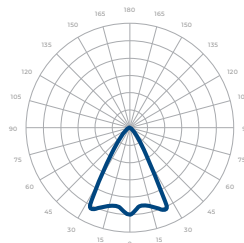
*Tolerance ±8%

PHOTOMETRICS

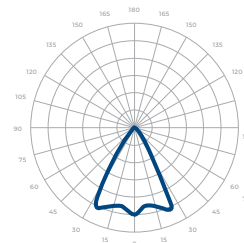
Below is a typical photometric representation of the Vela 6 fixture. Please download IES files to ensure exact photometric value.



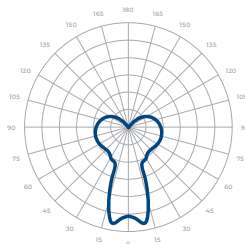
STD (STANDARD)



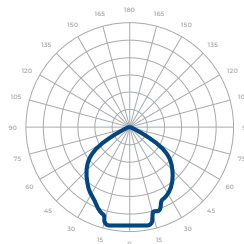
PCS (POLYCARBONATE SHROUD)



ALS (ALUMINUM SHROUD)



TPD (TRANSLUCENT POLYCARBONATE DIFFUSER)



CPD (CLEAR POLYCARBONATE DIFFUSER)

ACCESSORIES

Polycarbonate Shroud



Aluminum Shroud



Aluminum Diffuser Band



Aluminum Shroud
With Conical Lens



Clear Polycarbonate Diffuser

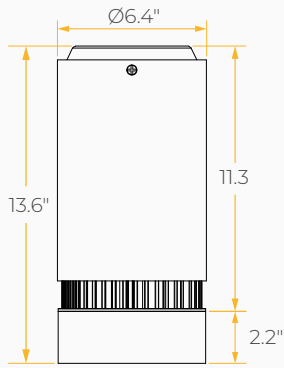


Translucent Polycarbonate Diffuser

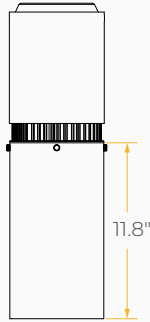


DIMENSIONS

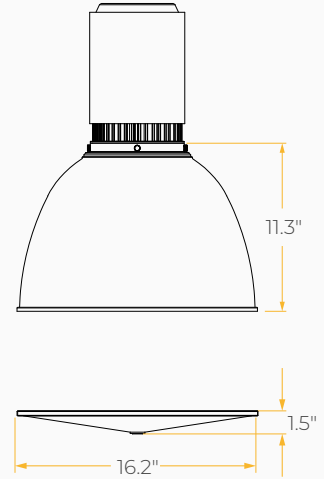
Standard Cylinder



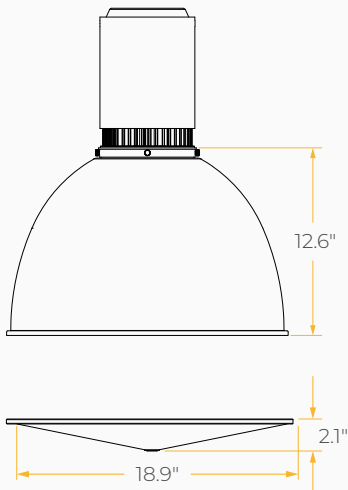
Clear Polycarbonate Diffuser /
Translucent Polycarbonate Diffuser



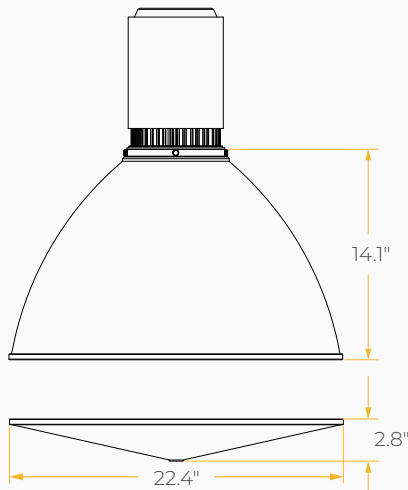
Aluminum Shroud /
Polycarbonate Shroud 16"



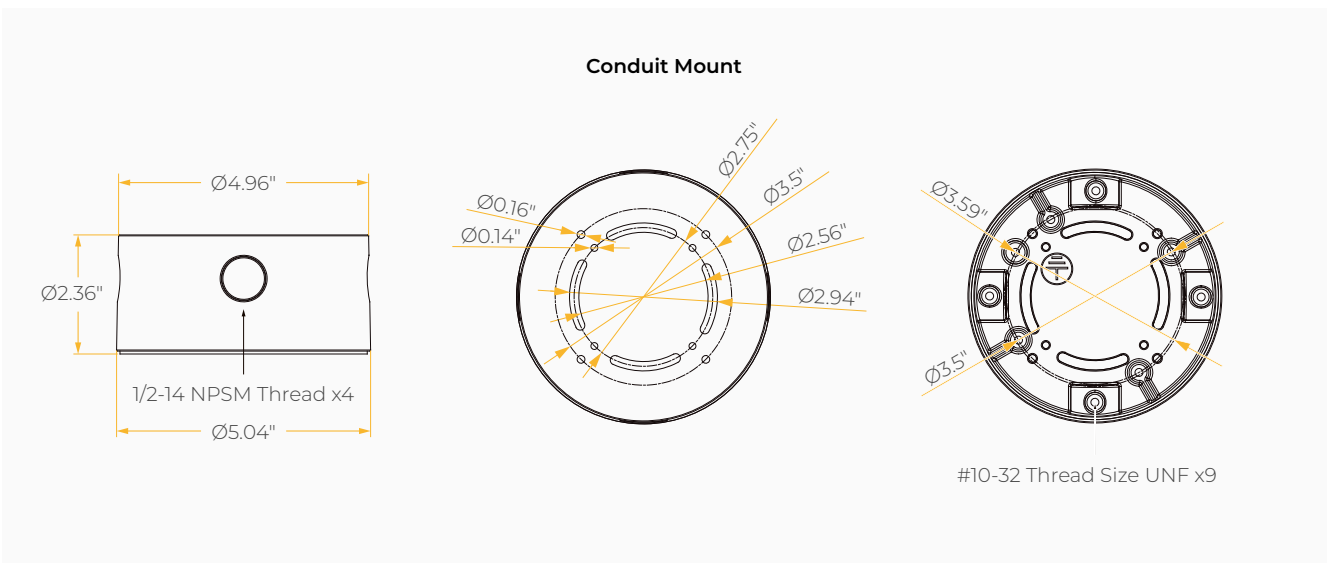
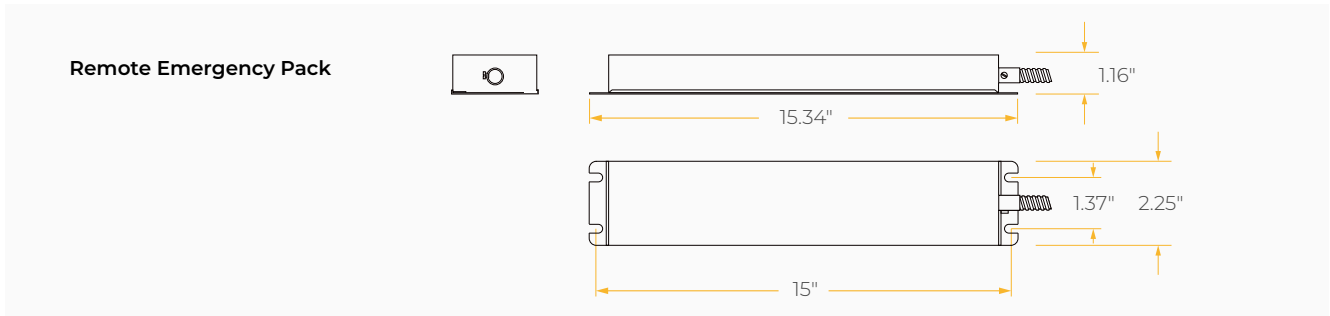
Aluminum Shroud /
Polycarbonate Shroud 19"



Aluminum Shroud /
Polycarbonate Shroud 22"



DIMENSIONS



MOUNTING OPTIONS*

*Junction Box not included

