

# VELA 5

## ARCHITECTURAL CYLINDERS WITH TRANSFORMATIVE PERFORMANCE

### Housing

Diameter : Ø5.3" | Height : 9.7" | Weight : 3.8 lbs

### Material

Housing: High Pressure Die-Cast Aluminum, PC Shroud

Lens: Clear polycarbonate

### Power Input

15W, 25W, 35W, 45W | 120-277V

### Lumen Output

1,620 lm (15W)

2,800 lm (25W)

3,850 lm (35W)

5,000 lm (45W)

### Dimming

Superior 0-10V: Dims to off

TRC: Line-voltage phase control, dims to 1% (120V only)

### Color Quality

CRI 85

### Rated Life

> 60,000 Hours (L70)

### Finish



Black



White

### Color Temperature



3000K



3500K



4000K

### Optics



10°



30°



45°



55°

### Mounting



Stem  
Mount



Adjustable  
Cable



Sloped  
Adjustable  
Cable



Cord  
Mount



Surface  
Mount

### Warranty

5 Year limited warranty

### Listing



## All The Performance You Need In One Family

High performing 5-inch aperture cylinder with delivered lumen package of 1,570 – 5,000 lm.

Available with aluminum and polycarbonate shroud accessories.

Suitable for general illumination for a wide variety of project applications.



SPECIFICATION SHEET

**VELA 5** ARCHITECTURAL CYLINDERS WITH TRANSFORMATIVE PERFORMANCE



**SPECIFICATION**

PROJECT NAME

DATE

CATALOG #

QUANTITY

<input type="checkbox"/>	<b>VA5</b>	MODEL	<b>VELA 5</b>		
<input type="checkbox"/>		WATTAGE	<b>15</b> 15W <b>45</b> 45W	<b>25</b> 25W	<b>35</b> 35W
<input type="checkbox"/>		CCT / CRI	<b>308</b> 3000K / CRI 85	<b>358</b> 3500K / CRI 85	<b>408</b> 4000K / CRI 85
<input type="checkbox"/>	<b>UNV</b>	VOLTAGE	<b>UNV</b> 120 – 277V		
<input type="checkbox"/>		DIMMING	<b>SPV</b> 0-10V dims to off	<b>TRC</b> <sup>1</sup> Line-voltage phase control, dims to 1%	
<input type="checkbox"/>		TYPE	<b>STD</b> Standard Cylinder <b>FRS12</b> Frosted PC Shroud 12" <b>ALS16</b> Aluminum Shroud 16"	<b>PCS12</b> Polycarbonate Shroud 12" <b>FRS16</b> Frosted PC Shroud 16"	<b>PCS16</b> Polycarbonate Shroud 16" <b>ALS12</b> Aluminum Shroud 12"
<input type="checkbox"/>		BEAM ANGLE*	<b>10</b> 10° <b>55</b> 55°	<b>30</b> 30°	<b>45</b> 45°
<input type="checkbox"/>		FINISH	<b>BLK</b> Black	<b>WHT</b> White	
<input type="checkbox"/>		MOUNTING	<b>SUM</b> Surface Mount <b>ST4</b> Stem 4ft	<b>CM10</b> <sup>2</sup> Cord Mount 10ft <b>AD10</b> Adjustable Cable 10ft	<b>ST2</b> Stem 2ft <b>SAD10</b> Sloped Adjustable Cable 10ft
<input type="checkbox"/>		ACCESSORIES	<b>NO</b> No Accessories <b>CT</b> <sup>7</sup> Conduit Mount	<b>CON</b> <sup>3,4,5</sup> Conical Lens	<b>EMP</b> <sup>6</sup> Remote Emergency Pack

<sup>1</sup> Option is only compatible with 120V

<sup>2</sup> CM10 only applies to STD fixture

<sup>3</sup> CON can only be paired with ALS, PCS, FRS Types

<sup>4</sup> Conical Lens comes in the same color as the selected type and is not compatible with FRS12

<sup>5</sup> Please factor in a -15% change in lumen output with CON, and -20% when using CON with FRS16

<sup>6</sup> EMP not compatible with CM10 mounting

<sup>7</sup> CT only compatible with ST and AD mounting types

\* Beam Angles only apply to STD Type

**SPECIFICATION SHEET**

**VELA 5** ARCHITECTURAL CYLINDERS WITH TRANSFORMATIVE PERFORMANCE



**TECHNICAL DETAILS**

**Electrical**

- 1,620 lm (15W - STD)
- 2,800 lm (25W - STD)
- 3,850 lm (35W - STD)
- 5,000 lm (45W - STD)
- Power Input: Universal (120-277V)
- Operating Temperature: -13°F~112°F
- Surge Protection: Built-in is 4KV
- Remote Emergency Pack: Philips Bodine BSL20B2UEK55C111

**LED Features**

- Color Temperature: 3000K, 3500K, 4000K
- CRI ≥ 85
- Long lasting LED luminaire tested under TM21 lumen maintenance L70 @ 60,000 Hrs

**Optics**

- Precision molded high transmittance clear lenses
- Beam Angle: 10°, 30°, 45°, 55°

**Advanced Dimming**

- Superior 0-10V dims to off
- TRC : Line-voltage phase control, dims to 1% (120V only)

**Listing**

- ETL Damp Location Listed
- FCC
- CE

**Housing**

- Diameter: Ø5.3"
- Material: High Pressure Die-Cast Aluminum, PC Shroud
- Height:
  - Standard - 9.7"
  - Polycarbonate Shroud 12" & Frosted PC Shroud 12" - 14"
  - Polycarbonate Shroud 16" & Frosted PC Shroud 16" - 17"
  - Aluminum Shroud 12" - 14"
  - Aluminum Shroud 16" - 17"
- Weight:
  - Standard - 3.8 lbs
  - Polycarbonate Shroud 12" & Frosted PC Shroud 12" - 4.9 lbs
  - Polycarbonate Shroud 16" & Frosted PC Shroud 16" - 4.9 lbs
  - Aluminum Shroud 12" - 5.1 lbs
  - Aluminum Shroud 16" - 5.1 lbs

**Mounting**

- Stem Mount 2ft or 4ft
- Cord Mount 10ft
- Surface Mount
- Adjustable Cable Mount 10ft
- Sloped Adjustable Cable Mount 10ft

**Warranty**

- 5-year limited warranty

**PERFORMANCE SUMMARY\***

STD (Standard)			
CCT/WATTAGE	3000K	3500K	4000K
15W	1,570lm	1,600lm	1,620lm
25W	2,710lm	2,770lm	2,800lm
35W	3,730lm	3,810lm	3,850lm
45W	4,800lm	4,900lm	5,000lm

\*Beam Angle: 55° \* Tolerance ±8%

PCS (PC Shroud)			
CCT/WATTAGE	3000K	3500K	4000K
15W	1,280lm	1,300lm	1,320lm
25W	2,190lm	2,240lm	2,250lm
35W	2,990lm	3,050lm	3,080lm
45W	3,880lm	3,960lm	4,000lm

\*Beam Angle: 55° \* Tolerance ±8%

ALS (Aluminum Shroud)			
CCT/WATTAGE	3000K	3500K	4000K
15W	1,240lm	1,260lm	1,280lm
25W	2,110lm	2,150lm	2,160lm
35W	2,890lm	2,950lm	2,970lm
45W	3,730lm	3,810lm	3,820lm

\*Beam Angle: 55° \* Tolerance ±8%

FRS (Frosted PC Shroud)			
CCT/WATTAGE	3000K	3500K	4000K
15W	1,150lm	1,170lm	1,180lm
25W	1,970lm	2,010lm	2,020lm
35W	2,690lm	2,740lm	2,770lm
45W	3,490lm	3,560lm	3,600lm

\*Beam Angle: 55° \* Tolerance ±8%

SPECIFICATION SHEET

**VELA 5** ARCHITECTURAL CYLINDERS  
WITH TRANSFORMATIVE PERFORMANCE

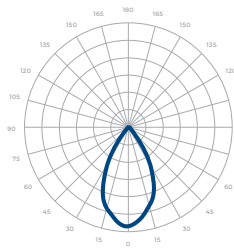


**PERFORMANCE SUMMARY\***

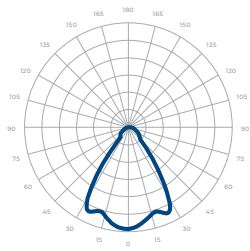
Current Consumption		
WATTAGE / VOLT	120V	277V
15W	0.14A	0.06A
25W	0.23A	0.10A
35W	0.32A	0.14A
45W	0.42A	0.18A

**PHOTOMETRICS**

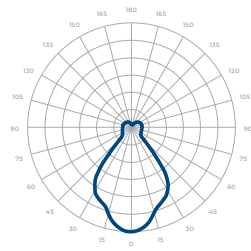
Below is a typical photometric representation of the Vela 5 fixture. Please download IES files to ensure exact photometric value.



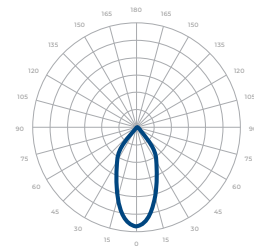
STD (STANDARD) 55°



PCS (POLYCARBONATE SHROUD)



FRS (FROSTED PC SHROUD)



ALS (ALUMINUM SHROUD)

SPECIFICATION SHEET

**VELA 5** ARCHITECTURAL CYLINDERS  
WITH TRANSFORMATIVE PERFORMANCE



**ACCESSORIES**

---

Polycarbonate Shroud



Frosted PC Shroud



Aluminum Shroud



Polycarbonate Shroud  
With Conical Lens



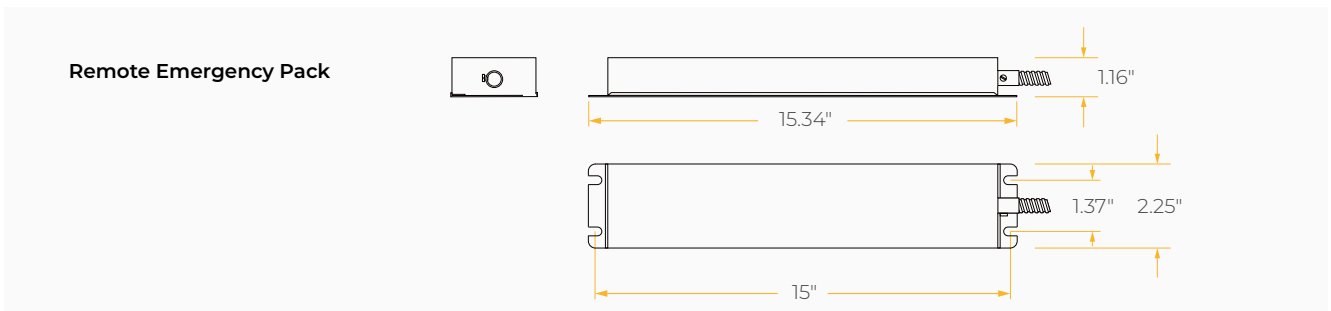
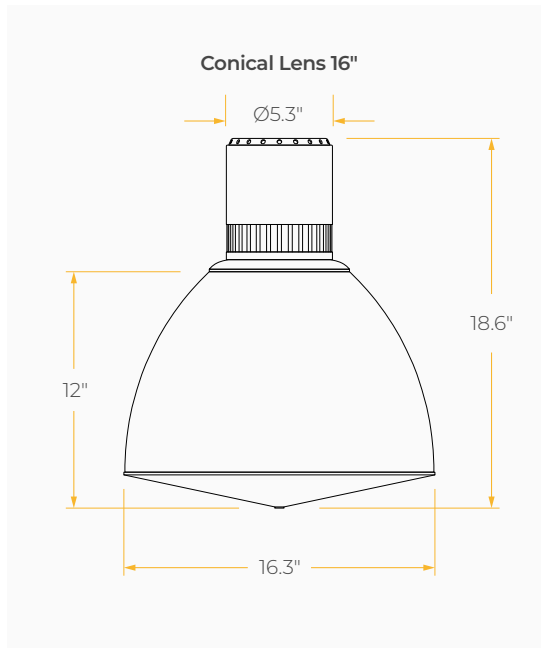
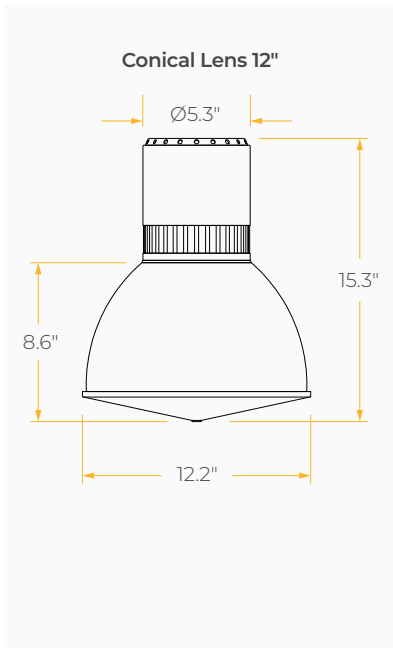
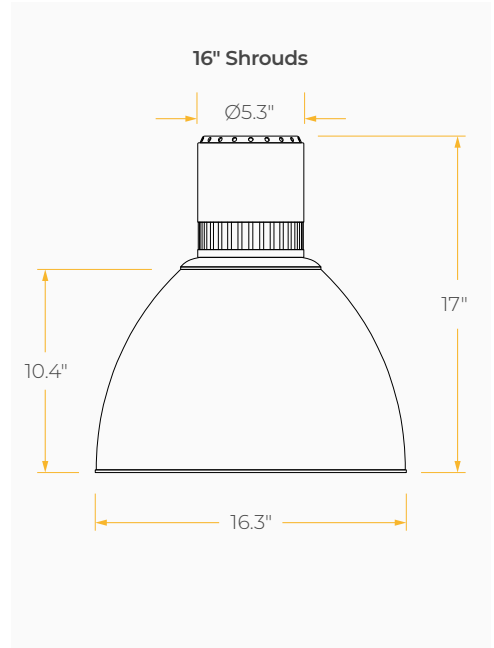
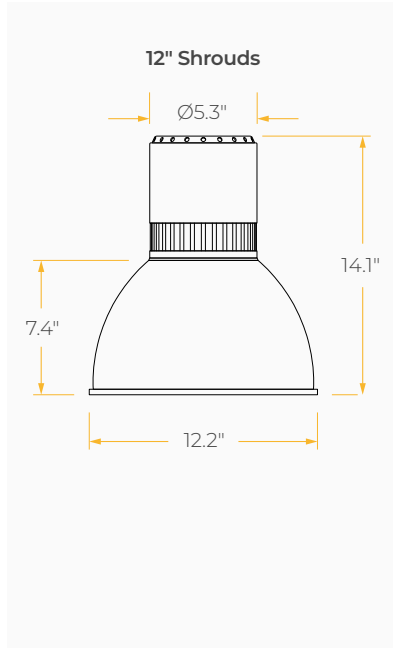
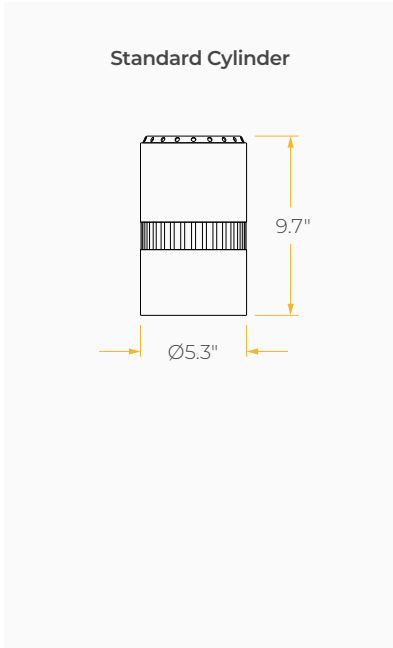
Frosted PC Shroud  
With Conical Lens



Aluminum Shroud  
With Conical Lens



**DIMENSIONS**

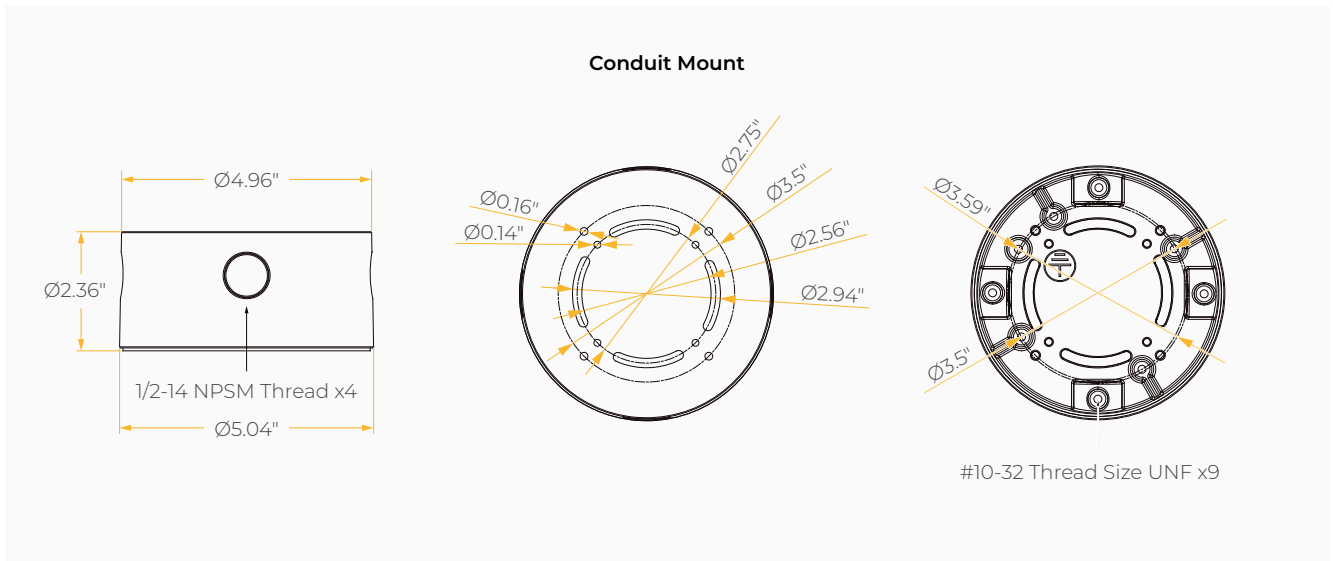


SPECIFICATION SHEET

**VELA 5** ARCHITECTURAL CYLINDERS  
WITH TRANSFORMATIVE PERFORMANCE

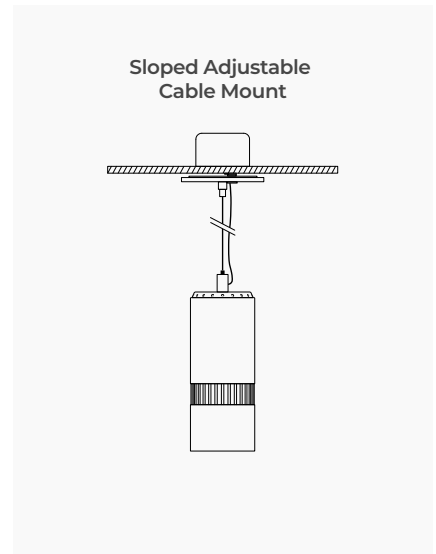
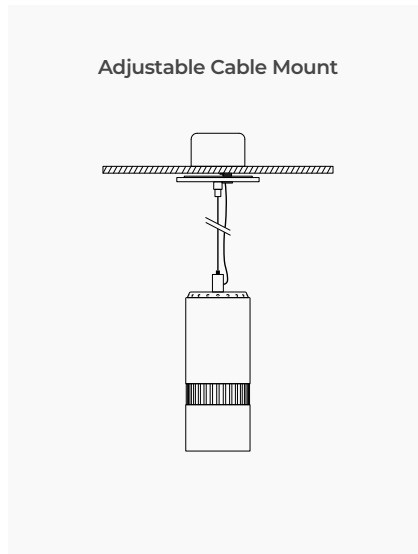
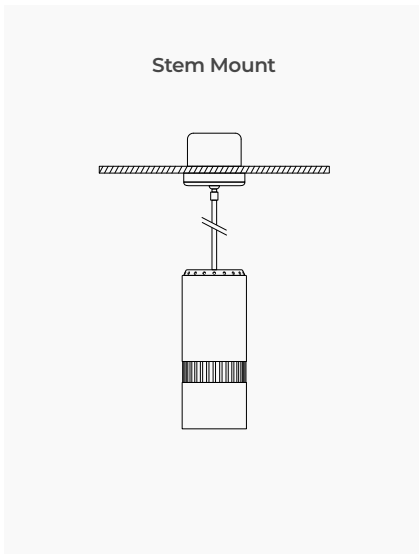


**DIMENSIONS**



**MOUNTING OPTIONS\***

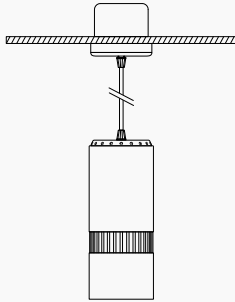
\*Junction Box not included



**MOUNTING OPTIONS\***

---

Cord Mount



Surface Mount

