

VELA 4

ARCHITECTURAL CYLINDERS WITH TRANSFORMATIVE PERFORMANCE

Housing

Diameter : Ø4.2" | Height : 10.3" | Weight : 3.8 lbs

Material

Housing: High Pressure Die-Cast Aluminum, PC Shroud

Lens: Clear polycarbonate

Power Input

15W, 25W | 120-277V

Lumen Output

1,480 lm (15W)

2,400 lm (25W)

Dimming

Superior 0-10V: Dims to off

TRC: Line-voltage phase control, dims to 1% (120V only)

Color Quality

CRI 85

Rated Life

> 60,000 Hours (L70)

Finish



Black



White

Color Temperature



3000K



3500K



4000K

Optics



10°



25°



35°



55°

Mounting



Stem
Mount



Adjustable
Cable



Sloped
Adjustable
Cable



Cord
Mount



Surface
Mount

Warranty

5 Year limited warranty

Listing



All The Performance You Need In One Family

High performing 4-inch aperture cylinder with delivered lumen package of 1,480 – 2,400 lm.

Available with aluminum and polycarbonate shroud accessories.

Suitable for general illumination for a wide variety of project applications.



SPECIFICATION SHEET

VELA 4 ARCHITECTURAL CYLINDERS
WITH TRANSFORMATIVE PERFORMANCE



SPECIFICATION

PROJECT NAME	DATE
<input type="text"/>	<input type="text"/>
CATALOG #	QUANTITY
<input type="text"/>	<input type="text"/>

VA4	MODEL	VELA 4		
<input type="text"/>	WATTAGE	15 15W	25 25W	
<input type="text"/>	CCT / CRI	308 3000K / CRI 85	358 3500K / CRI 85	408 4000K / CRI 85
UNV	VOLTAGE	UNV 120 – 277V		
<input type="text"/>	DIMMING	SPV 0-10V dims to off	TRC ¹ Line-voltage phase control, dims to 1%	
<input type="text"/>	TYPE	STD Standard Cylinder FRS12 Frosted PC Shroud 12" ALS16 Aluminum Shroud 16"	PCS12 Polycarbonate Shroud 12" FRS16 Frosted PC Shroud 16"	PCS16 Polycarbonate Shroud 16" ALS12 Aluminum Shroud 12"
<input type="text"/>	BEAM ANGLE*	10 10° 55 55°	25 25°	35 35°
<input type="text"/>	FINISH	BLK Black	WHT White	
<input type="text"/>	MOUNTING	SUM Surface Mount ST4 Stem 4ft	CM10 ² Cord Mount 10ft AD10 Adjustable Cable 10ft	ST2 Stem 2ft SAD10 Sloped Adjustable Cable 10ft
<input type="text"/>	ACCESSORIES	NO No Accessories CT ⁷ Conduit Mount	CON ^{3,4,5} Conical Lens	EMP ⁶ Remote Emergency Pack

¹ Option is only compatible with 120V
² CM10 only applies to STD fixture
³ CON can only be paired with ALS, PCS, FRS Types
⁴ Conical Lens comes in the same color as the selected type and is not compatible with FRS12
⁵ Please factor in a -15% change in lumen output with CON, and -20% when using CON with FRS16
⁶ EMP not compatible with CM10 mounting
⁷ CT is only compatible with ST and AD mounting types
* Beam Angles only apply to STD fixture

SPECIFICATION SHEET

VELA 4 ARCHITECTURAL CYLINDERS WITH TRANSFORMATIVE PERFORMANCE



TECHNICAL DETAILS

Electrical

- 1,480 lm (15W - STD)
- 2,400 lm (25W - STD)
- Power Input: Universal (120-277V)
- Operating Temperature: -13°F~112°F
- Surge Protection: Built-in is 4KV
- Remote Emergency Pack: Philips Bodine BSL20B2UEK55C111

LED Features

- Color Temperature: 3000K, 3500K, 4000K
- CRI ≥ 85
- Long lasting LED luminaire tested under TM21 lumen maintenance L70 @ 60,000 Hrs

Optics

- Precision molded high transmittance clear lenses
- Beam Angle: 10°, 25°, 35°, 55°

Advanced Dimming

- Superior 0-10V dims to off
- TRC : Line-voltage phase control, dims to 1% (120V only)

Listing

- ETL Damp Location Listed
- FCC
- CE

Housing

- Diameter: Ø4.2"
- Material: High Pressure Die-Cast Aluminum, PC Shroud
- Height:
 - Standard - 10.3"
 - Polycarbonate Shroud 12" & Frosted PC Shroud 12" - 15.5"
 - Polycarbonate Shroud 16" & Frosted PC Shroud 16" - 18.5"
 - Aluminum Shroud 12" - 15.5"
 - Aluminum Shroud 16" - 18.5"
- Weight:
 - Standard - 3.8 lbs
 - Polycarbonate Shroud 12" & Frosted PC Shroud 12" - 4.9 lbs
 - Polycarbonate Shroud 16" & Frosted PC Shroud 16" - 4.9 lbs
 - Aluminum Shroud 12" - 5.1 lbs
 - Aluminum Shroud 16" - 5.1 lbs

Mounting

- Stem Mount 2ft or 4ft
- Cord Mount 10ft
- Surface Mount
- Adjustable Cable Mount 10ft
- Sloped Adjustable Cable Mount 10ft

Warranty

- 5-year limited warranty

PERFORMANCE SUMMARY*

STD (Standard)			
CCT/WATTAGE	3000K	3500K	4000K
15W	1,480lm	1,510lm	1,530lm
25W	2,320lm	2,370lm	2,400lm

*Beam Angle: 55° *Tolerance ±8%

ALS (Aluminum Shroud)			
CCT/WATTAGE	3000K	3500K	4000K
15W	1,240lm	1,250lm	1,260lm
25W	1,920lm	1,960lm	2,000lm

*Beam Angle: 55° *Tolerance ±8%

PCS (PC Shroud)			
CCT/WATTAGE	3000K	3500K	4000K
15W	1,300lm	1,310lm	1,350lm
25W	2,040lm	2,080lm	2,100lm

*Beam Angle: 55° *Tolerance ±8%

FRS (Frosted PC Shroud)			
CCT/WATTAGE	3000K	3500K	4000K
15W	1,110lm	1,120lm	1,160lm
25W	1,750lm	1,780lm	1,800lm

*Beam Angle: 55° *Tolerance ±8%

Current Consumption		
WATTAGE / VOLT	120V	277V
15W	0.14A	0.06A
25W	0.23A	0.10A

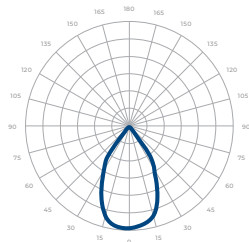
SPECIFICATION SHEET

VELA 4 ARCHITECTURAL CYLINDERS
WITH TRANSFORMATIVE PERFORMANCE

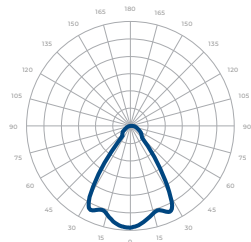


PHOTOMETRICS

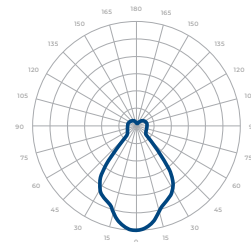
Below is a typical photometric representation of the Vela 4 fixture. Please download IES files to ensure exact photometric value.



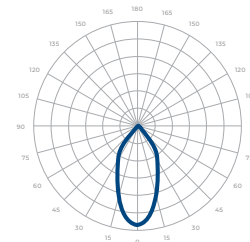
STD (STANDARD) 55°



PCS (POLYCARBONATE SHROUD)



FRS (FROSTED PC SHROUD)



ALS (ALUMINUM SHROUD)

ACCESSORIES

Polycarbonate Shroud



Frosted PC Shroud



Aluminum Shroud



Polycarbonate Shroud With Conical Lens



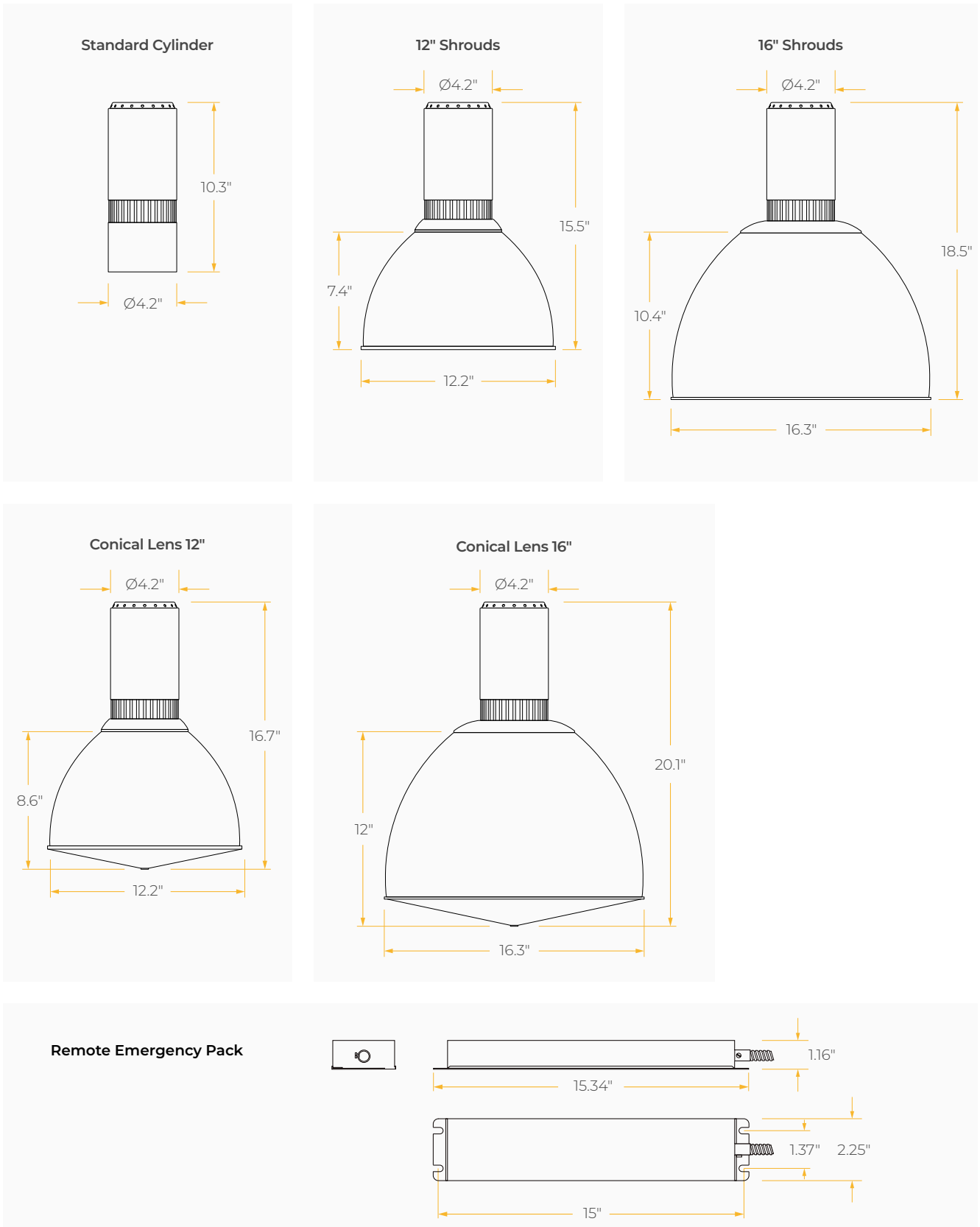
Frosted PC Shroud With Conical Lens



Aluminum Shroud With Conical Lens



DIMENSIONS

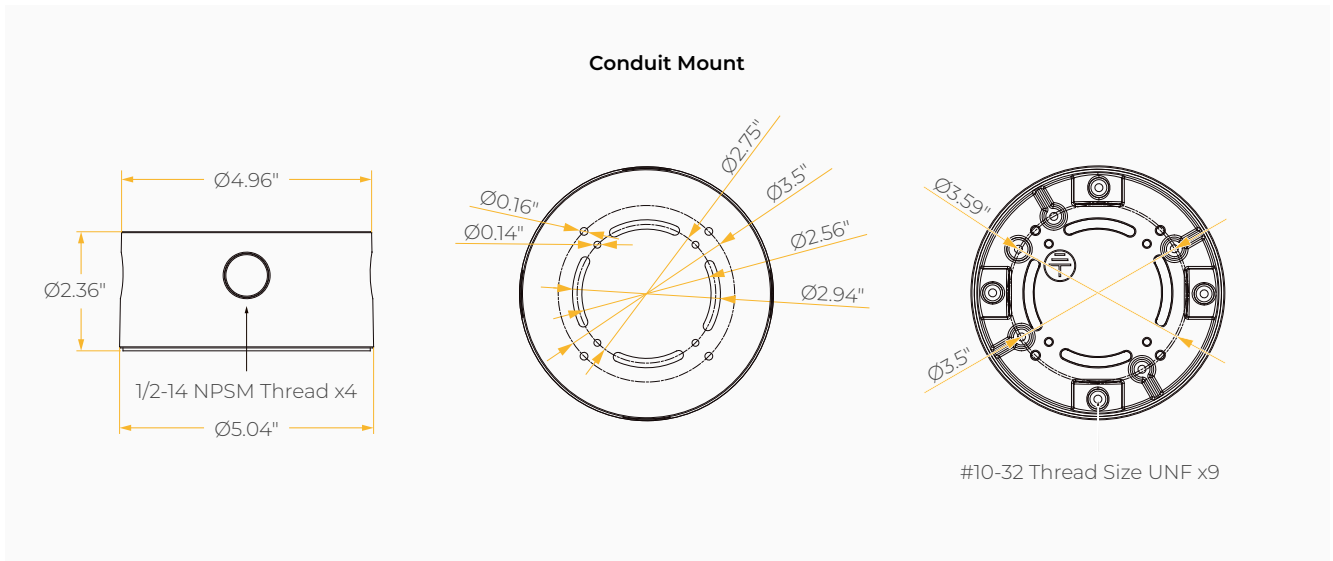


SPECIFICATION SHEET

VELA 4 ARCHITECTURAL CYLINDERS
WITH TRANSFORMATIVE PERFORMANCE

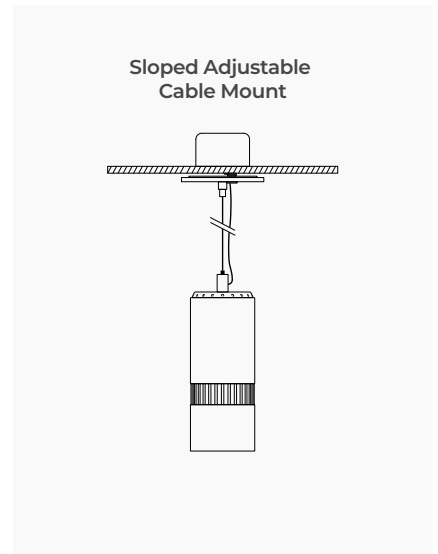
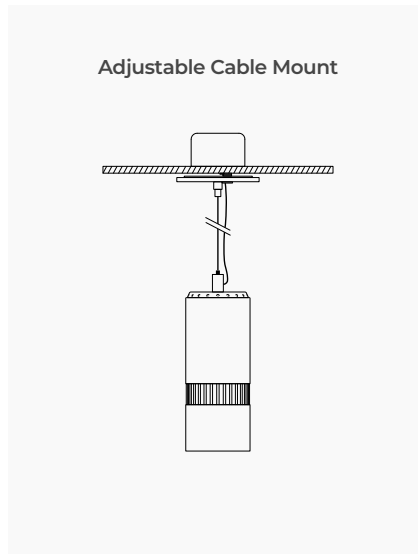
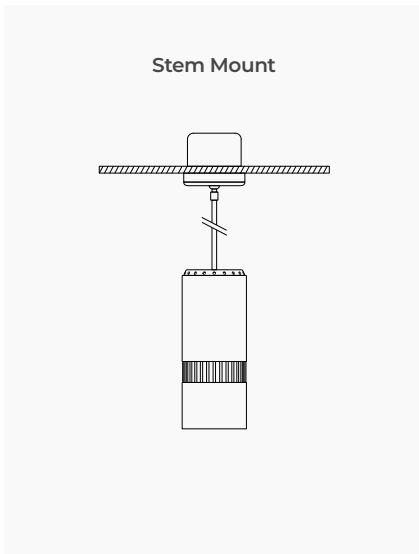


DIMENSIONS



MOUNTING OPTIONS*

*Junction Box not included



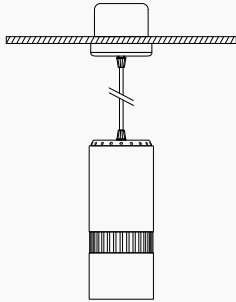
SPECIFICATION SHEET

VELA 4 ARCHITECTURAL CYLINDERS
WITH TRANSFORMATIVE PERFORMANCE



MOUNTING OPTIONS*

Cord Mount



Surface Mount

