

# REV 8 PRIME

SPECIFICATION SHEET  
NEW CONSTRUCTION

## QUIET CEILING DESIGN HIGH LUMEN RECESSED DOWNLIGHT

### Housing

Aperture : Ø8.1" | Oversize Trim : 8.46" | Ceiling Cutout : 8.25"  
Maximum Ceiling Thickness : 1.5" | Height : 8.6" | Weight : 17.63 / 18.82 lbs

### Material

Housing : Forged Aluminum Heatsink  
Reflector : Flow Forming Aluminum

### Power Input

95W, 125W, 145W, 185W, 225W | 120V, 277V

### Lumen Output

8,370 lm (95W), 10,685 lm (125W), 12,905 lm (145W), 21,205lm (185W),  
24,865lm (225W)

### Dimming

Superior 0-10V : Dims to 1%  
DMX : High resolution dims to 0.1%  
TRC: Linear line-voltage phase control, dims to 1%  
LDE1 : Hi-Lume 1% EcoSystem LED Driver

### Color Quality

CRI 85, CRI 93

### Rated Life

> 60,000 Hours (L70)

### Finish



Black



White

### Color Temperature



2700K



3000K



3500K



4000K

### Optics



30°



45°



55°



Wide

### Warranty

5 Year limited warranty

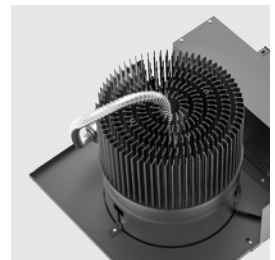
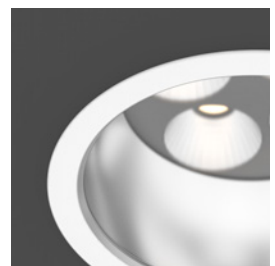
### Listing



## Precision Engineered For High Performance.

The REV series are a revolutionary range of 4, 6 and 8-inch aperture recessed downlights that feature a deep, double optical reflector design with high efficacy performance.

All downlights feature Colorflip™ Warm Dim, Tunable White and W+RGB technology for a truly versatile range of applications, and are available in new construction and retrofit configurations.



# METEOR

[meteor-lighting.com](http://meteor-lighting.com)

**SPECIFICATION**

|                     |                      |                 |                      |
|---------------------|----------------------|-----------------|----------------------|
| <b>PROJECT NAME</b> | <input type="text"/> | <b>DATE</b>     | <input type="text"/> |
| <b>CATALOG #</b>    | <input type="text"/> | <b>QUANTITY</b> | <input type="text"/> |

|                      |                           |  |  |   |
|----------------------|---------------------------|--|--|---|
| <b>R8PN</b>          | <b>MODEL</b>              | <b>REV 8 PRIME WITH NEW CONSTRUCTION FRAME</b>   |  |   |
| <input type="text"/> | <b>WATTAGE</b>            | <b>95</b> 95W<br><b>185</b> 185W   | <b>125</b> 125W<br><b>225</b> 225W   | <b>145</b> 145W   |
| <input type="text"/> | <b>CCT / CRI</b>          | <b>278</b> 2700K / CRI 85<br><b>309</b> 3000K / CRI 93   | <b>279</b> 2700K / CRI 93<br><b>358</b> 3500K / CRI 85   | <b>308</b> 3000K / CRI 85<br><b>408</b> 4000K / CRI 85  |
| <input type="text"/> | <b>VOLTAGE</b>            | <b>120</b> 120V  | <b>277</b> 277V  |   |
| <input type="text"/> | <b>DIMMING</b>            | <b>NOD</b> Non-Dimming<br><b>DMX(RJ45)</b> DMX dims to 0.1% (RJ45 Sockets)   | <b>SPV</b> Superior 0-10V dims to 1%<br><b>TRC<sup>1</sup></b> Linear line-voltage phase control, dims to 1%                   | <b>DMX</b> DMX dims to 0.1% (XLR Sockets)<br><b>LDE1<sup>2</sup></b> Hi-Lume 1% EcoSystem LED Driver with Soft-on, Fade-to-Black              |
| <input type="text"/> | <b>BEAM ANGLE</b>         | <b>30</b> 30°<br><b>WD<sup>3</sup></b> Wide (With diffuser)  | <b>45</b> 45°  | <b>55</b> 55°   |
| <input type="text"/> | <b>FINISH<sup>4</sup></b> | <b>BLK</b> Black   | <b>WHT</b> White   |   |
| <input type="text"/> | <b>ACCESSORIES</b>        | <b>NO</b> No Accessories<br><b>EMP</b> Remote Emergency Pack<br><b>SCA820</b> Sloped Ceiling Adapter 18°-22°<br><b>BUB</b> Butterfly Bracket | <b>DF<sup>5</sup></b> Diffuser<br><b>SCA810</b> Sloped Ceiling Adapter 8°-12°<br><b>SCA825</b> Sloped Ceiling Adapter 23°- 27° | <b>SPD<sup>6</sup></b> Surge Protector<br><b>SCA815</b> Sloped Ceiling Adapter 13°-17°<br><b>2CPL</b> 2' X 2' X 1" Custom Metal Ceiling Panel |

<sup>1</sup> Option is only compatible with 120V  
<sup>2</sup> Option is not compatible with 225W  
<sup>3</sup> Please factor in change in lumen output with WD -20%  
<sup>4</sup> Finish indicates trim only, with standard matte silver reflector  
<sup>5</sup> Please factor in change in lumen output with Diffuser (-20% with WD; -12% with other degrees)  
<sup>6</sup> Surge protector for up to 10KV. Applicable for unstable mains or facilities using high power machineries

## TECHNICAL DETAILS

### Electrical

- 8,370 lm (95W), 10,685 lm (125W), 12,905 lm (145W)  
21,205 lm (185W), 24,865 lm (225W)
- Power Input: 120V or 277V
- Operating Temperature: -40°F~112°F
- Surge Protection: Built-in is 4KV
- Emergency Pack with Mounting Plate: Philips Bodine  
BSL20B2UEK55C111
- Power Factor Greater than 0.9

### LED Features

- Color Temperature : 2700K, 3000K, 3500K, 4000K
- CRI 85, CRI 93
- Long lasting LED luminaire tested under TM21 lumen maintenance L70 @ 60,000 Hrs

### Optics

- Flow Forming Aluminum Reflector
- Beam Angle : 30°, 45°, 55°, WD (With diffuser)

### Advanced Dimming

- Proprietary VX Driver™ is incorporated to all dimming options for video flicker-free lighting
- Superior 0-10V : Dims to 1%
- DMX : High resolution dims to 0.1% (Supports ANSI E1.20 RDM protocol)

#### Not Compatible with 225W Option :

- TRC: Linear line-voltage phase control, dims to 1% (120V only)
- LDE1 : Hi-Lume 1% EcoSystem LED Driver with Soft-on, Fade-to-Black

### New Construction Housing

- Aperture : Ø8.1"
- Height : 8.6"
- Weight : 17.63 lbs/ 18.82 lbs
- Material : Forged Aluminum Heatsink
- Non-IC Rated, insulation must be kept >1ft from housing
- Oversize Trim : 8.46"
- Ceiling Cutout : 8.25"
- Maximum Ceiling Thickness : 1.5"
- Tool-less top access allows service from above and below
- Light engine, optics, and driver(s) accessible from below ceiling

\*Note: C-Channel / Mounting Channels / T-Bar Hangers are purchased from a third party

### Warranty

- 5-year limited warranty

### Listing

- ETL Damp Location Listed
- FCC
- Energy Star
- CE
- UKCA

## PERFORMANCE SUMMARY\*

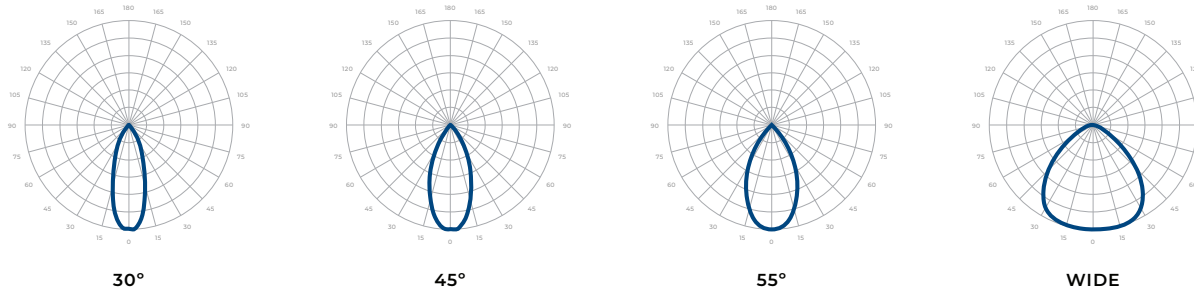
| Delivered Lumens |          |          |          |          | Current Consumption |       |       |
|------------------|----------|----------|----------|----------|---------------------|-------|-------|
| CCT/WATTAGE      | 2700K    | 3000K    | 3500K    | 4000K    | WATTAGE / VOLT      | 120V  | 277V  |
| <b>95W</b>       | 7,290lm  | 7,960lm  | 8,230lm  | 8,370lm  | <b>95W</b>          | 0.87A | 0.38A |
| <b>125W</b>      | 9,325lm  | 10,155lm | 10,480lm | 10,685lm | <b>125W</b>         | 1.15A | 0.50A |
| <b>145W</b>      | 11,305lm | 12,285lm | 12,660lm | 12,905lm | <b>145W</b>         | 1.33A | 0.58A |
| <b>185W</b>      | 18,970lm | 20,090lm | 20,645lm | 21,205lm | <b>185W</b>         | 1.65A | 0.71A |
| <b>225W</b>      | 22,250lm | 23,560lm | 24,210lm | 24,865lm | <b>225W</b>         | 2.02A | 0.87A |

\* Beam Angle 30° Tolerance ±8%

| Emergency Pack Lumen Output Table |         |         |         |
|-----------------------------------|---------|---------|---------|
| CCT                               | 2700K   | 3000K   | 4000K   |
| <b>LUMEN</b>                      | 1,640lm | 1,760lm | 1,890lm |

## PHOTOMETRICS

Below is a typical photometric representation of the Rev 8 Prime fixture. Please download IES files to ensure exact photometric value.

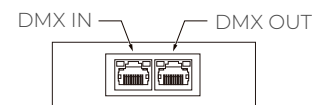


## DMX REQUIREMENTS

The Rev 8 fixture with DMX is a **single channel dmx** unit. When placing an order, please indicate DMX address. (The DMX address will be listed on the back of the fixture). Do not connect more than 32 fixtures per DMX daisy chain.

The fixture can be connected with RJ45 or XLR sockets. DMX cables **are not** included; please refer to compatible DMX cabling list for more information. The final fixture on each daisy chain should be terminated by the use of a DMX terminator purchased from a 3rd party or from Meteor.

| CONNECTION | RJ45 (CAT5e)                      | 5-PIN XLR |
|------------|-----------------------------------|-----------|
| Common     | WHITE/BROWN(PIN7) & BROWN (PIN 8) | PIN 1     |
| Signal -   | ORANGE (PIN 2)                    | PIN 2     |
| Signal +   | WHITE/ORANGE (PIN 1)              | PIN 3     |
| Spare      | -                                 | PIN 4     |
| Spare      | -                                 | PIN 5     |



RJ45 Sockets



XLR Sockets

## COMPATIBLE DMX CABLING LIST

DMX uses a cable consisting of two twisted pairs plus a shield to carry data. The cable must be specifically impedance matched for the digital DMX signal, meaning that microphone cable or other non-rated cable **must not be used to carry DMX**. Network cable (Cat5, 5e or 6 cable) may be used to carry DMX in an installation; however special consideration must be given to shielding and termination. Under no circumstances should solid core cable like Cat5 be terminated into a screw down connector.

Meteor recommends the use of Belden 9729 or Belden 9841 for DMX installation. Belden 9729/9841 is a two pair cable, which allows for a spare pair for 'out and back' type terminations if needed.

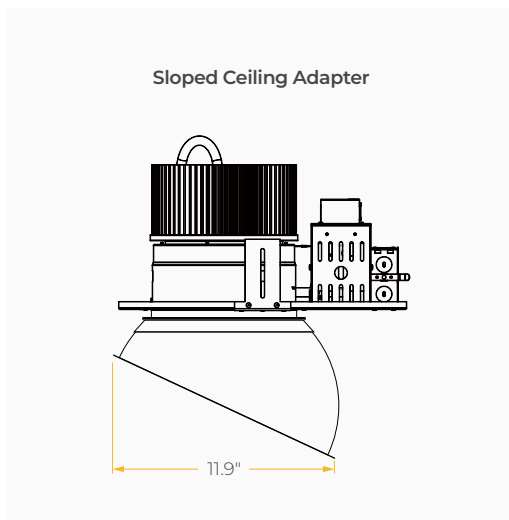
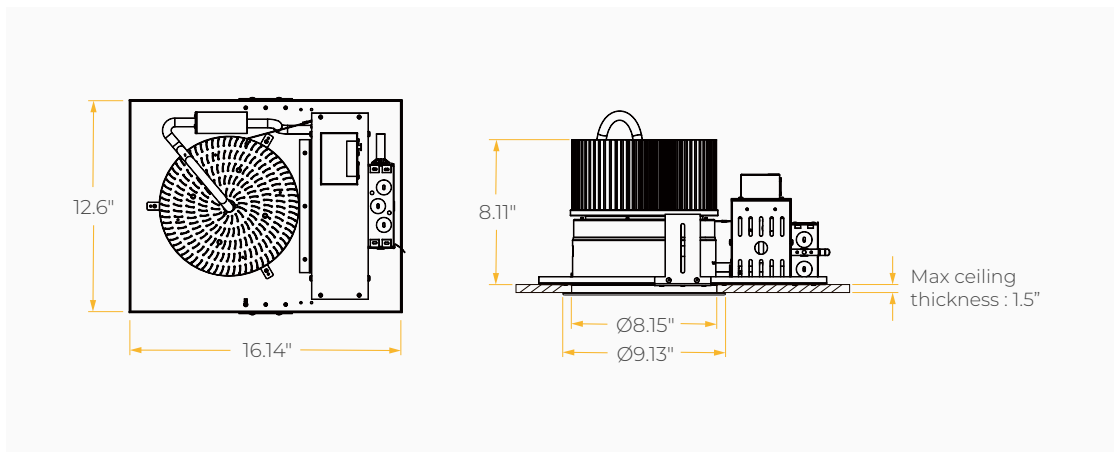
**COMPATIBLE TRC DIMMER LIST**

| PART NO.          |                  |                  |                   |                  |                    |
|-------------------|------------------|------------------|-------------------|------------------|--------------------|
| Lutron DVCL-153P  | Lutron TGCL-153P | Lutron S-600P    | Lutron SELV-300P  | Lutron CT-103P   | Lutron DV603P      |
| Lutron MAELV600   | Lutron FAELV500  | Lutron SCL-153P  | Lutron MACL-153M  | Lutron DVLV600P  | Lutron RRD-6CL     |
| Leviton IPI06-1LZ | Leviton VPE06    | Leviton 6673-10W | Leviton VPI06-ILT | Leviton 6161     | Leviton LGCL-153PL |
| Leviton IPL06     | Cooper DLC03P-W  | Cooper SLC03P    | Cooper DAL06P     | Cooper AAL06A-C2 |                    |

**COMPATIBLE LDE1 DIMMER LIST**

| LUTRON PART NO. |              |            |             |          |         |            |
|-----------------|--------------|------------|-------------|----------|---------|------------|
| RMJ-ECO32-DV-B  | FCJ/FCJS-ECO | QSN-1ECO-S | QSN-2ECO-S  | QSGRJ-_E | QSGR-_E | QP2-_ _ 2C |
| QP2-_ _ 4C      | QP2-_ _ 6C   | QP2-_ _ 8C | LQSE-2ECO-D |          |         |            |

**DIMENSIONS**



**REMOTE EMERGENCY PACK**

