

# REV 6

SPECIFICATION SHEET  
NEW CONSTRUCTION

## QUIET CEILING DESIGN HIGH LUMEN RECESSED DOWNLIGHT

### Housing

Aperture : Ø6.3" | Oversize Trim : 7.2" | Ceiling Cutout : 6.7"  
Maximum Ceiling Thickness : 2" | Height : 8" | Weight : 13.22 lbs

### Material

Housing : Extruded Aluminum  
Reflector : Flow Forming Aluminum

### Power Input

40W, 60W, 80W, 100W | 120V, 277V

### Lumen Output

3,990 lm (40W), 6,490 lm (60W), 8,040 lm (80W), 10,450 lm (100W)

### Dimming

Standard 0-10V : Dims to 10%  
Superior 0-10V : Dims to 1%  
DMX : High resolution dims to 0.1%  
TRC: Linear line-voltage phase control, dims to 1%  
LDE1 : Hi-Lume 1% EcoSystem LED Driver  
DALI : dims to 10%

### Color Quality

CRI 75, CRI 85, CRI 93

### Rated Life

> 60,000 Hours (L70)

### Finish



Black



White

### Color Temperature



2700K



3000K



3500K



4000K



5000K

### Optics



40°



60°



Wide

### Warranty

5 Year limited warranty

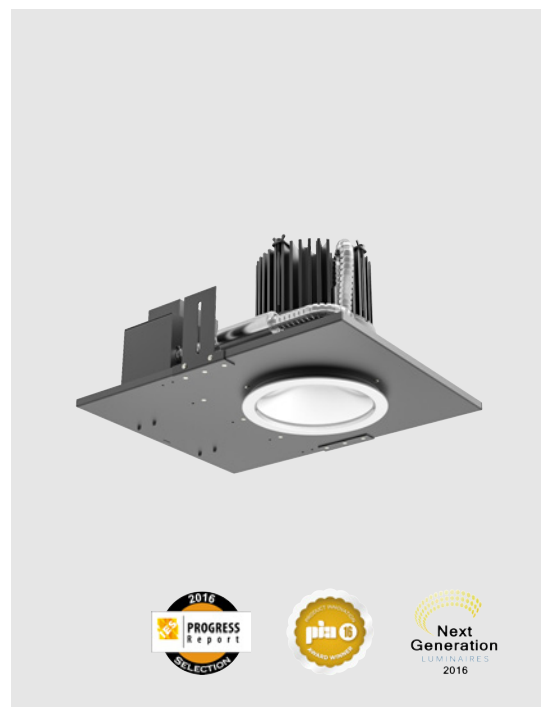
### Listing



## Precision Engineered For High Performance.

The REV series are a revolutionary range of 4, 6 and 8-inch aperture recessed downlights that feature a deep, double optical reflector design with high efficacy performance.

All downlights feature Colorflip™ Warm Dim, Tunable White and W+RGB technology for a truly versatile range of applications, and are available in new construction and retrofit configurations.



# METEOR

[meteor-lighting.com](http://meteor-lighting.com)

**SPECIFICATION**

PROJECT NAME

DATE

CATALOG #

QUANTITY

<input type="text"/>	<b>RS6N</b>	<b>MODEL</b>	<b>REV 6 WITH NEW CONSTRUCTION FRAME</b>		
<input type="text"/>		<b>WATTAGE</b>	<b>40</b> 40W <b>100</b> 100W	<b>60</b> 60W	<b>80</b> 80W
<input type="text"/>		<b>CCT / CRI</b>	<b>278</b> 2700K / CRI 85 <b>309</b> 3000K / CRI 93 <b>408</b> 4000K / CRI 93	<b>279</b> 2700K / CRI 93 <b>358</b> 3500K / CRI 85 <b>507</b> 5000K / CRI 75	<b>308</b> 3000K / CRI 85 <b>359</b> 3500K / CRI 93
<input type="text"/>		<b>VOLTAGE</b>	<b>120</b> 120V	<b>277</b> 277V	
<input type="text"/>		<b>DIMMING</b>	<b>NOD</b> Non-Dimming <b>DMX</b> DMX dims to 0.1% (XLR Sockets) <b>LDEI</b> Hi-Lume 1% EcoSystem LED Driver with Soft-on, Fade-to-Black	<b>STV</b> Standard 0-10V dims to 10% <b>DMX(RJ45)</b> DMX dims to 0.1% (RJ45 Sockets) <b>DALI<sup>2</sup></b> DALI dims to 10%	<b>SPV</b> Superior 0-10V dims to 1% <b>TRC<sup>1</sup></b> Linear line-voltage phase control, dims to 1%
<input type="text"/>		<b>BEAM ANGLE</b>	<b>40</b> 40°	<b>60</b> 60°	<b>WD<sup>3</sup></b> Wide
<input type="text"/>		<b>FINISH<sup>4</sup></b>	<b>BLK</b> Black	<b>WHT</b> White	<b>SSR<sup>5</sup></b> Semi-Specular Reflector
<input type="text"/>		<b>ACCESSORIES</b>	<b>SPD<sup>6</sup></b> Surge Protector <b>SCA610</b> Sloped Ceiling Adapter 8°-12° <b>SCA625</b> Sloped Ceiling Adapter 23°-27°	<b>EMP</b> Remote Emergency Pack <b>SCA615</b> Sloped Ceiling Adapter 13°-17° <b>BUB</b> Butterfly Bracket	<b>DF<sup>7</sup></b> Diffuser <b>SCA620</b> Sloped Ceiling Adapter 18°-22°

<sup>1</sup> Option is only compatible with 120V

<sup>2</sup> Option not available for 100W

<sup>3</sup> Please factor in change in lumen output with WD -20%

<sup>4</sup> Finish indicates trim only, with standard matte silver reflector

<sup>5</sup> Option is not compatible with WD, SCA610, SCA615, SCA620, SCA625

<sup>6</sup> Surge protector for up to 10KV. Applicable for unstable mains or facilities using high power machineries

<sup>7</sup> Please factor in change in lumen output with Diffuser (-20% with WD; -12% with other degrees)

## TECHNICAL DETAILS

### Electrical

- 3,990 lm (40W)
- 6,490 lm (60W)
- 8,040 lm (80W)
- 10,450 lm (100W)
- Power Input: 120V or 277V
- Operating Temperature: -20°F~112°F
- Surge Protection: Built-in is 4KV
- Emergency Pack with Mounting Plate: Philips Bodine BSL20B2UEK55C111
- Power Factor Greater than 0.9

### LED Features

- Color Temperature : 2700K, 3000K, 3500K, 4000K, 5000K
- CRI 75, CRI 85, CRI 93
- Long lasting LED luminaire tested under TM21 lumen maintenance L70 @ 60,000 Hrs

### Optics

- Flow Forming Aluminum Reflector
- Beam Angle : 40°, 60°, WD (With diffuser)

### Advanced Dimming

- Proprietary VX Driver™ is incorporated to all dimming options for video flicker-free lighting
- Standard 0-10V : Dims to 10%
- Superior 0-10V : Dims to 1%
- DMX : High resolution dims to 0.1% (Supports ANSI E1.20 RDM protocol)
- TRC : Linear line-voltage phase control, dims to 1% (120V only)
- LDE1 : Hi-Lume 1% EcoSystem LED Driver with Soft-on, Fade-to-Black
- DALI : dims to 10%

### New Construction Housing

- Aperture : Ø6.3"
- Height : 3.9"
- Weight : 13.22 lbs
- Material : Extruded Aluminum
- Non-IC Rated, insulation must be kept >1ft from housing
- Oversize Trim : 7.2"
- Ceiling Cutout : 6.7"
- Maximum Ceiling Thickness : 2"
- Tool-less top access allows service from above and below
- Light engine, optics, and driver(s) accessible from below ceiling

\*Note: C-Channel / Mounting Channels / T-Bar Hangers are purchased from a third party

### Warranty

- 5-year limited warranty

### Listing

- ETL Damp Location Listed
- FCC
- UKCA
- Energy Star

## PERFORMANCE SUMMARY\*

STD (Standard)						Current Consumption		
<b>CCT/WATTAGE</b>	2700K	3000K	3500K	4000K	5000K	<b>WATTAGE / VOLT</b>	120V	277V
<b>40W</b>	3,470lm	3,640lm	3,710lm	3,895lm	3,990lm	<b>40W</b>	0.37A	0.16A
<b>60W</b>	5,500lm	5,780lm	5,890lm	6,180lm	6,490lm	<b>60W</b>	0.55A	0.24A
<b>80W</b>	6,725lm	7,195lm	7,620lm	7,845lm	8,040lm	<b>80W</b>	0.73A	0.32A
<b>100W</b>	8,210lm	8,900lm	9,130lm	9,250lm	10,450lm	<b>100W</b>	0.92A	0.40A

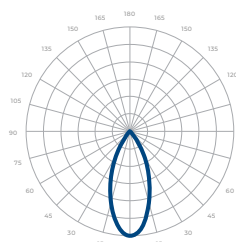
\* Beam Angle 40° Tolerance ±8%

## PERFORMANCE SUMMARY

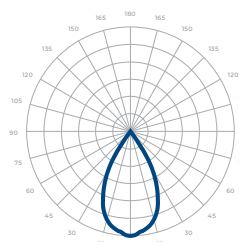
Emergency Pack Lumen Output Table				
<b>CCT</b>	2700K	3000K	4000K	5000K
<b>LUMEN</b>	1,640lm	1,760lm	1,890lm	1,950lm

## PHOTOMETRICS

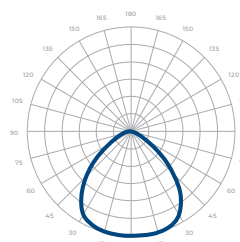
Below is a typical photometric representation of the Rev 6 fixture. Please download IES files to ensure exact photometric value.



40°



60°



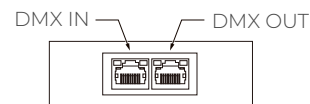
WIDE

## DMX REQUIREMENTS

The Rev 6 fixture with DMX is a **single channel dmx** unit. When placing an order, please indicate DMX address. (The DMX address will be listed on the back of the fixture). Do not connect more than 32 fixtures per DMX daisy chain.

The fixture can be connected with RJ45 or XLR sockets. DMX cables **are not** included; please refer to compatible DMX cabling list for more information. The final fixture on each daisy chain should be terminated by the use of a DMX terminator purchased from a 3rd party or from Meteor.

CONNECTION	RJ45 (CAT5e)	5-PIN XLR
Common	WHITE/BROWN(PIN7) & BROWN (PIN 8)	PIN 1
Signal -	ORANGE (PIN 2)	PIN 2
Signal +	WHITE/ORANGE (PIN 1)	PIN 3
Spare	-	PIN 4
Spare	-	PIN 5



RJ45 Sockets



DMX IN DMX OUT

XLR Sockets

## COMPATIBLE DMX CABLING LIST

DMX uses a cable consisting of two twisted pairs plus a shield to carry data. The cable must be specifically impedance matched for the digital DMX signal, meaning that microphone cable or other non-rated cable **must not be used to carry DMX**. Network cable (Cat5, 5e or 6 cable) may be used to carry DMX in an installation; however special consideration must be given to shielding and termination. Under no circumstances should solid core cable like Cat5 be terminated into a screw down connector.

Meteor recommends the use of Belden 9729 or Belden 9841 for DMX installation. Belden 9729/9841 is a two pair cable, which allows for a spare pair for 'out and back' type terminations if needed.

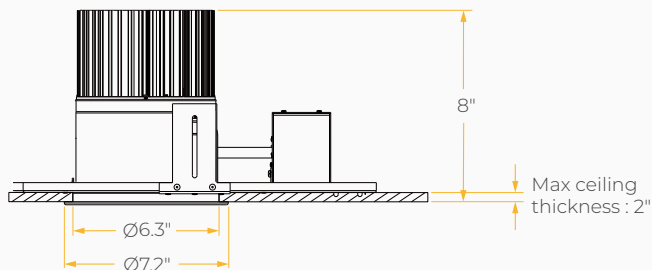
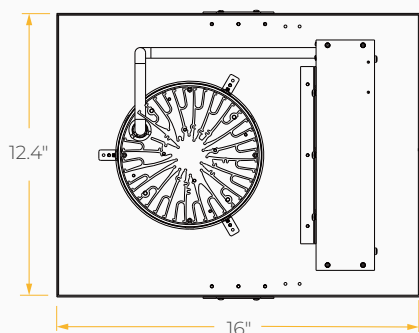
**COMPATIBLE TRC DIMMER LIST**

PART NO.					
Lutron DVCL-153P	Lutron TGCL-153P	Lutron S-600P	Lutron SELV-300P	Lutron CT-103P	Lutron DV603P
Lutron MAELV600	Lutron FAELV500	Lutron SCL-153P	Lutron MACL-153M	Lutron DVLV600P	Lutron RRD-6CL
Leviton IPI06-1LZ	Leviton VPE06	Leviton 6673-10W	Leviton VPI06-ILT	Leviton 6161	Leviton LGCL-153PL
Leviton IPL06	Cooper DLC03P-W	Cooper SLC03P	Cooper DAL06P	Cooper AAL06A-C2	

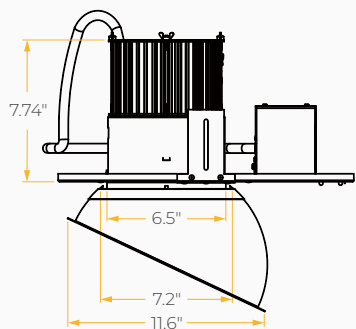
**COMPATIBLE LDE1 DIMMER LIST**

LUTRON PART NO.						
RMJ-ECO32-DV-B	FCJ/FCJS-ECO	QSN-1ECO-S	QSN-2ECO-S	QSGRJ-_E	QSGR-_E	QP2-__ 2C
QP2-__ 4C	QP2-__ 6C	QP2-__ 8C	LQSE-2ECO-D			

**DIMENSIONS**



Sloped Ceiling Adapter



**REMOTE EMERGENCY PACK**

