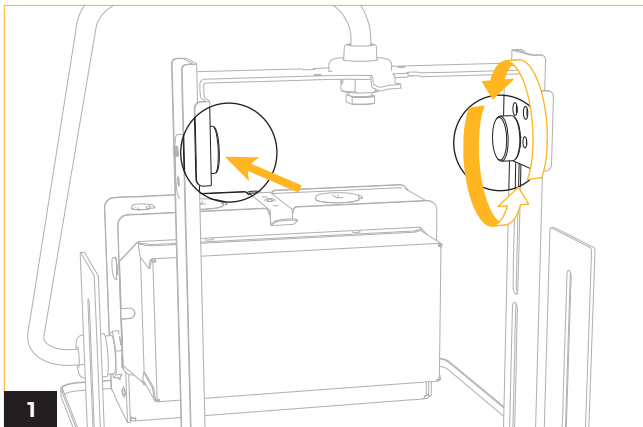


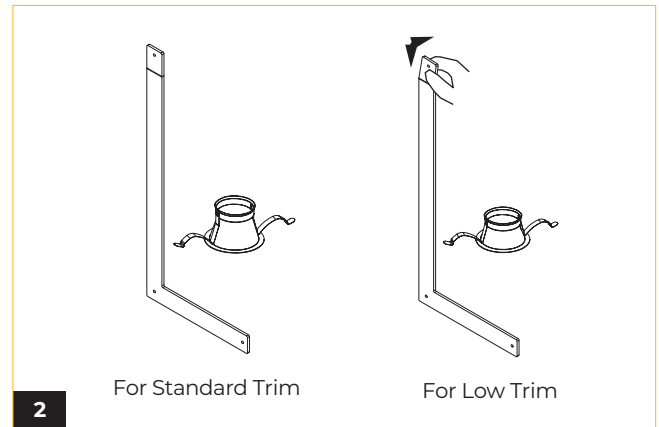
## **IMPORTANT SAFETY INFORMATION** READ AND FOLLOW ALL SAFETY INSTRUCTIONS

- Before wiring to power supply and during servicing or relamping, turn off power at fuse or circuit breaker.
- All servicing or relamping must be performed by qualified service personnel.
- Product must be grounded to avoid potential electric shock or other potential hazard.
- Product must be installed at locations and heights, in a manner consistent with its intended use, and in compliance with Electrical Code and local codes.

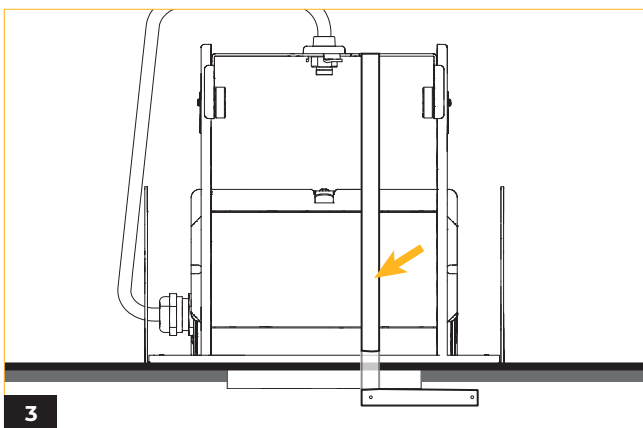
**SAVE THESE INSTRUCTIONS FOR FUTURE REFERENCE**



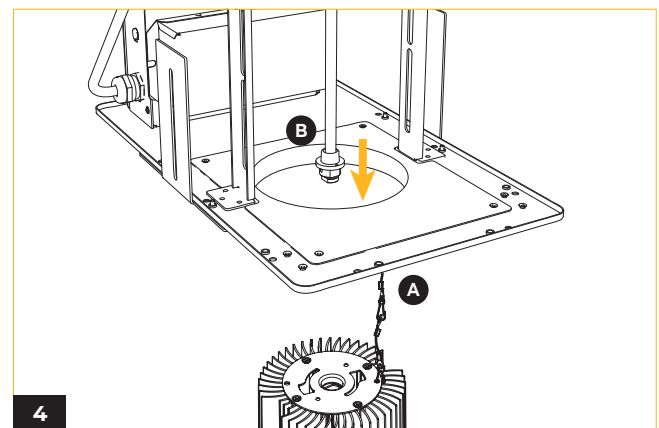
1 Loosen the knob on the bracket to adjust height according to the ordered trim.



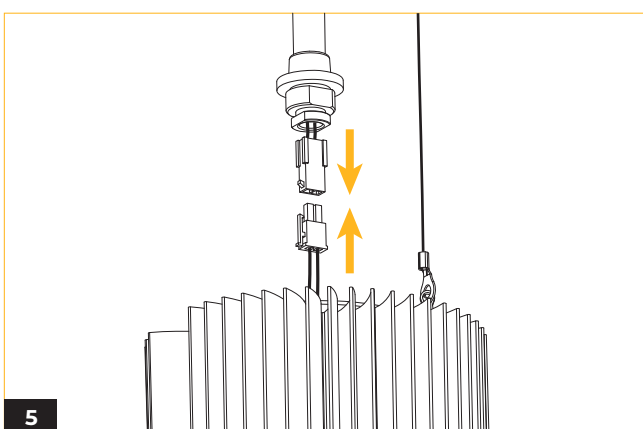
2 The L-shaped ruler at full length is to be used for standard trim heights. Break the end cap for low trims.



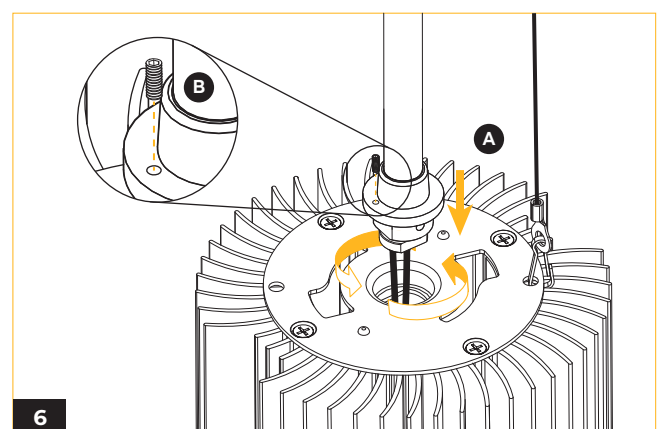
3 Adjust the bracket's height according to the L-tool starting from the outer part of the surface. Use the L-tool on each side to make sure both sides are balanced. Secure the knobs on the bracket once the height is adjusted.



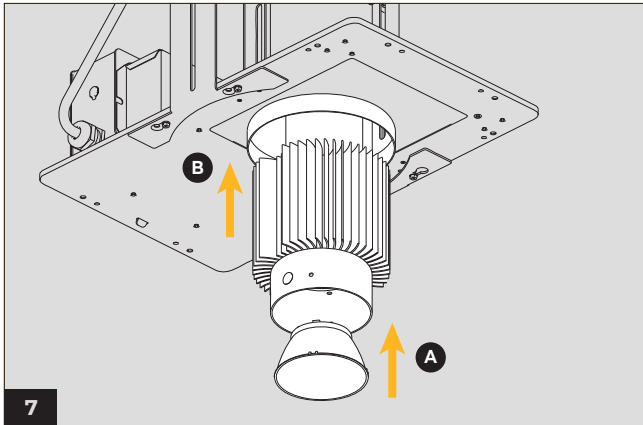
4 Connect the safety cables of both the bracket and the light engine, and pull the conduit to the outside.



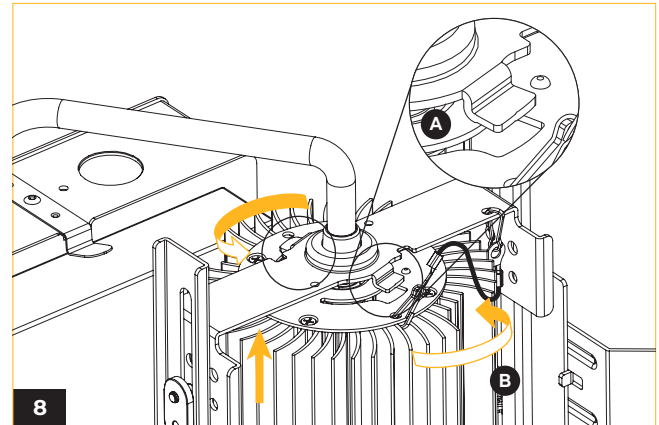
5 Connect the electrical connections.



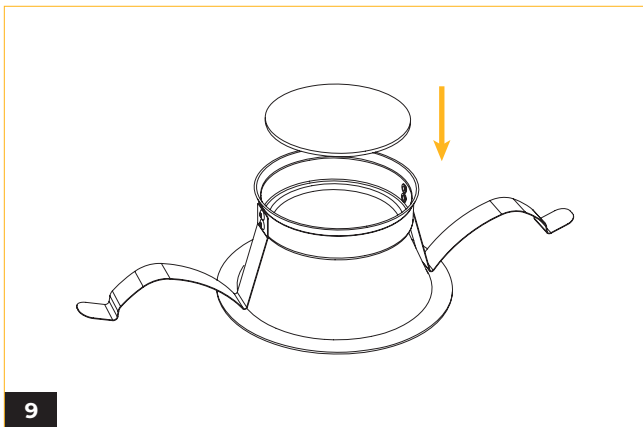
6 Connect the conduit to the light engine and slightly turn it to the right to secure it. Tighten the socket set screw to secure the conduit.



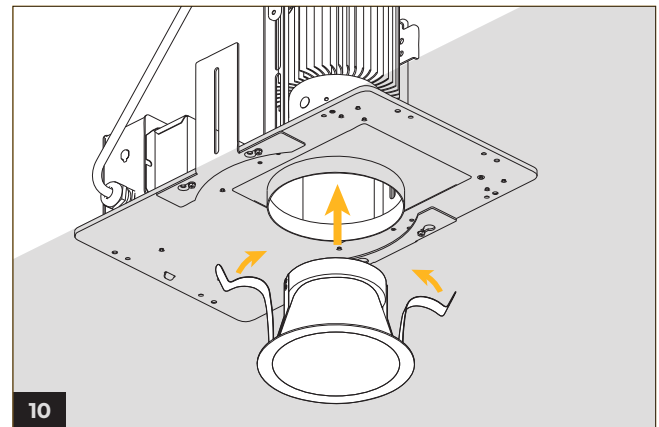
Install the reflector on the LED holder in the light engine. Bring the light engine back into the bracket.



Adjust the light engine into the support and slightly turn it to the right to secure it.



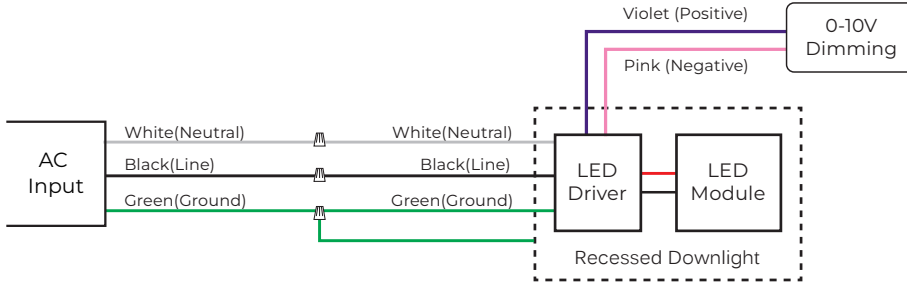
Attach the diffuser to the trim.



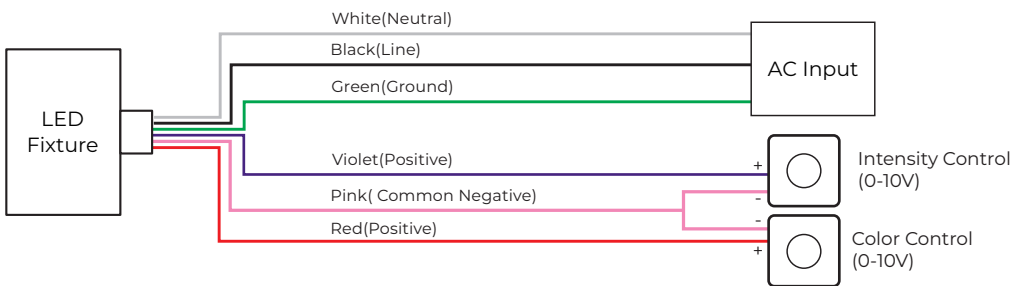
Insert the trim through the hole with the springs bent inwardly.

WIRING DIAGRAM

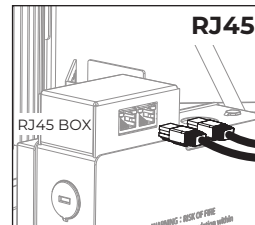
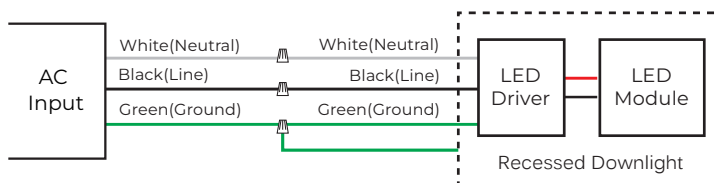
STV / SPV 0-10V



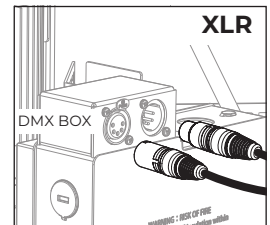
SPV 0-10V (Tunable White)



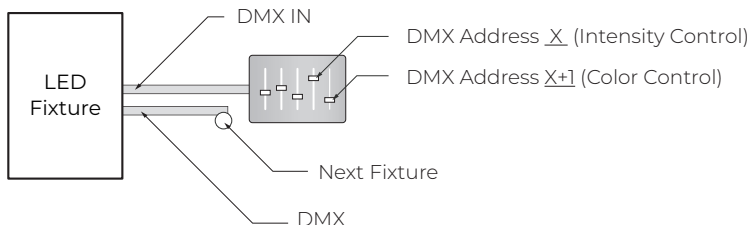
DMX



Connect DMX by using a standard shielded CAT5/6 cable.



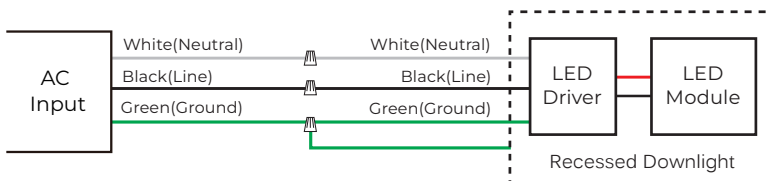
Connect DMX by using a standard DMX512 XLR cable with 5 pin in/out connector (by others).



\*The last fixture has to be terminated with a DMX Terminator (by others).

WIRING DIAGRAM

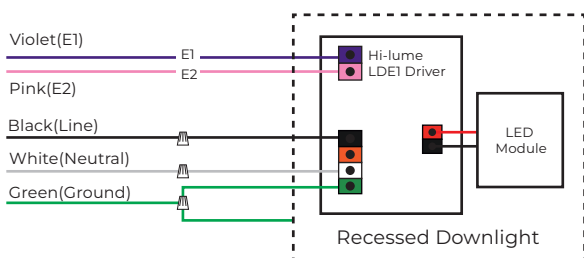
LTE



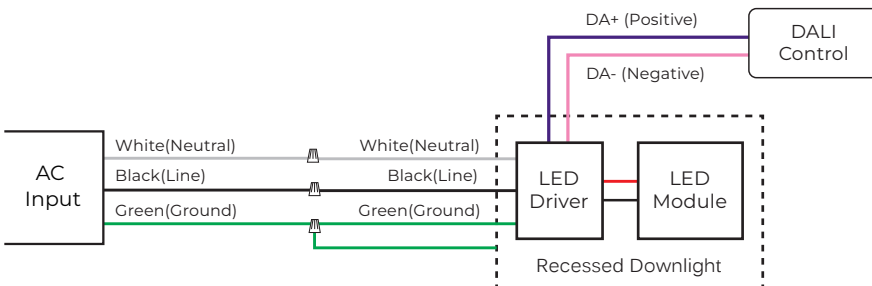
Compatible LTE Dimmer List

LUTRON PART NO	
MRF2-6ND-120	HQRD-6NA
RRD-6NA	HQRD-6N
RRD-10ND	DSZ-6ND
HQRD-10ND	

LDEI



DALI



## NOTES

---

### Application note : Wiring for DMX/RDM lighting systems

DMX/RDM is a robust and reliable system for lighting control. However, if not implemented correctly, problems can arise such as random flashing of lights, erratic operation and delays in responding to commands. This document explains the best practices in DMX wiring.

#### Important things to consider are:

1. DMX is a three-wire system. Use all three!
2. DMX is based on the EIA-485/RS-485 standard.
3. Always use cable specifically designed for DMX / RS-485. These cables have an impedance of 120Ω and a low capacitance. For instance : Belden 9729 or Belden 9841.
4. DMX must be terminated with a 120Ω resistor to prevent reflections.
5. A daisy chain topology should be used.
6. After 32 unit loads a repeater/booster should be used. (Important : For tunable white fixtures, After "32" unit loads a repeater/booster should be used.)
7. Keep cabling below 200 meters between the controller and the last driver.
8. It is generally considered good practice to provide separate DMX in and DMX out / DMX Thru connections to your fixture to aid in installation. This can be in the form of pigtails, RJ-45 connectors or 5-pin XLR connectors.
9. Use twisted pair cables with an impedance of 120Ω and a low capacitance.
10. UTP Cat5 or Cat6 network cable can also be used but have a slightly lower impedance of 100Ω.
11. If shielded cable is used, only connect shield to ground on one side (typically, the controller should have its shield terminal connected to ground).
12. Not following the above recommendations may seem to work at first, but can cause problems. Sometimes after weeks of seemingly normal operation.