

REIZEN

INDIRECT ASYMMETRIC LUMINAIRE

SPECIFICATION SHEET
INDOOR - TUNABLE WHITE

Housing

Diameter : 13" x 9.8"x4.3" | Weight : 19.8 lbs

Material

Housing: High Pressure Die-Cast Aluminum
Lens: Tempered Glass

Power Input

110W | 120-277V

Lumen Output

11,750 - 13,900 lm (110W)

Dimming

Superior 0-10V: Dims to 1%
DMX: High resolution dims to 0.1% (Supports ANSI E1.20 RDM protocol)

Color Quality

CRI 85

Rated Life

> 60,000 Hours (L70)

Finish



Black



White

Color Temperature



ColorFlip™ Tunable White
3000K ↔ 5000K

Optics



Asymmetric

Mounting



Stem
Mount



Wall
Mount

Warranty

5 Year limited warranty

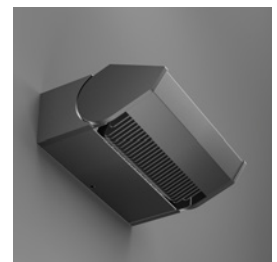
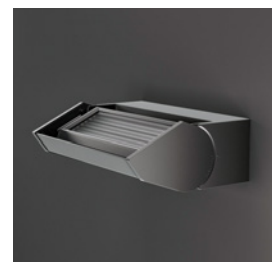
Listing



Light Shaping Prismatic Technology

Using the latest light shaping prismatic technology, the Reizen offers smooth uniform asymmetric lighting up to 40,850 lumens, and is suitable for both outdoor and natatorium use. It features Tunable White and W+RGB color changing options, offering a subtle yet dramatic flair to any space.

Superior performance, in a compact-sized fixture is a true highlight of the Reizen luminaire, which are available in both sconce and pendant forms.



SPECIFICATION

PROJECT NAME

DATE

CATALOG #

QUANTITY

RI	MODEL	REIZEN		
TNW	LIGHT SOURCE	TNW 110W Light Engine 11,750 to 13,900 Delivered Lumens		
UNV	VOLTAGE	UNV 120 – 277V		
	DIMMING	SPV Superior 0-10V dims to 1%	DMXR DMX dims to 0.1% (RJ45 Sockets)	
ASY	BEAM ANGLE	ASY Asymmetric		
	FINISH	BLK Black	WHT White	
	MOUNTING	WLM Wall Mount	ST4 Stem 4ft	ST8¹ Stem 8ft
	ACCESSORIES	NO No Accessories	GSV² Glare Shield Visor	

¹ Includes two 4ft stem connected by an adapter

² Please factor in change in lumen output of -10%

TECHNICAL DETAILS

Electrical

- 11,750 – 13,900 lm (110W)
- Power Input: Universal (120-277V)
- Operating Temperature: -40°F~113°F
- Surge Protection: Built-in is 4KV
- Power Factor Greater than 0.9

LED Features

- ColorFlip™ Tunable White 3000K ↔ 5000K
- 3000K / 85 CRI, 5000K / 75 CRI
- Long lasting LED luminaire tested under TM21 lumen maintenance L70 @ 60,000 Hrs

Optics

- Precision molded high transmittance clear PC lens
- Beam Angle: Asymmetric

Advanced Dimming

- Proprietary VX Driver™ is incorporated to all dimming options for video flicker-free lighting
- Superior 0-10V: Dims to 1%
- DMX: High resolution dims to 0.1% (Supports ANSI E1.20 RDM protocol)

Housing

- Diameter & Weight: 13" x 9.8" x 4.3", 19.8lbs
- Diameter & Weight with Visor: 13" x 14.8" x 4.3", 22.9lbs
- Material: High Pressure Die-Cast Aluminum, Tempered Glass

Mounting

- Wall Mount
- Stem Mount

Warranty

- 5-year limited warranty

Listing

- ETL Damp Location Listed
- CE
- FCC
- UKCA

PERFORMANCE SUMMARY*

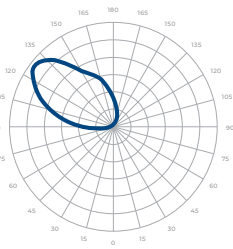
	Delivered Lumens				
ColorFlip™	3000K	3500K	4000K	4500K	5000K
DMX CCT Signal (%)	0%	25%	45%	60%	100%
0-10V CCT Voltage	0	2.5	4.5	6	10
TNW 110W Light Engine	11,750lm	12,850lm	13,950lm	13,925lm	13,900lm
CRI	85	83	82	80	75

Current Consumption		
Light Source	120V	277V
TNW (110W)	1.38A	0.6A

* Tolerance ±8%

PHOTOMETRICS

Below is a typical photometric representation of the Reizen fixture. Please download IES files to ensure exact photometric value.



TNW

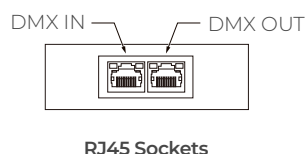
DMX REQUIREMENTS

The Reizen Tunable White fixture with DMX unit has **two channels** per fixture (1 to control intensity, 1 to control color). When placing an order, please indicate DMX address. (The DMX address will be listed on the back of the fixture). Do not connect more than 32 fixtures per DMX daisy chain.

Fixture	DMX Address	
	Intensity Control (ex. X)	Color Control (ex. X+1)
#1	1	2
#2	3	4
#3	5	6

The fixture can be connected with RJ45 sockets. DMX cables **are not** included; please refer to compatible DMX cabling list for more information. The final fixture on each daisy chain should be terminated by the use of a DMX terminator purchased from a 3rd party or from Meteor.

CONNECTION	RJ45 (CAT5e)
Common	WHITE/BROWN(PIN7) & BROWN (PIN 8)
Signal -	ORANGE (PIN 2)
Signal +	WHITE/ORANGE (PIN 1)
Spare	-
Spare	-

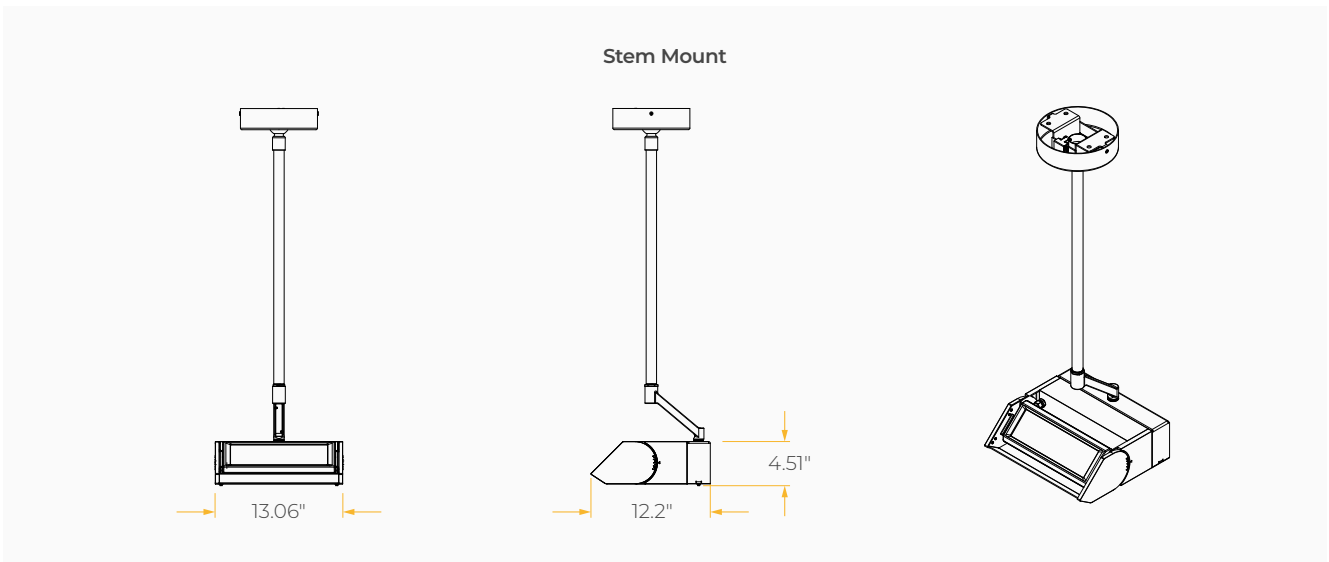
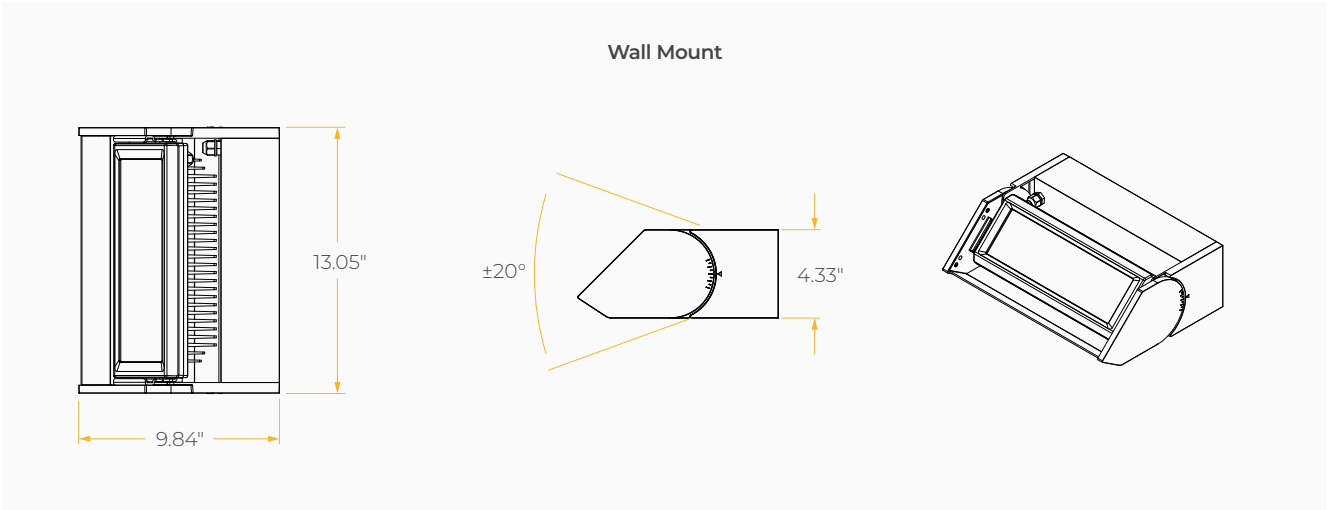


COMPATIBLE DMX CABLING LIST

DMX uses a cable consisting of two twisted pairs plus a shield to carry data. The cable must be specifically impedance matched for the digital DMX signal, meaning that microphone cable or other non-rated cable **must not be used to carry DMX**. Network cable (Cat5, 5e or 6 cable) may be used to carry DMX in an installation; however special consideration must be given to shielding and termination. Under no circumstances should solid core cable like Cat5 be terminated into a screw down connector.

Meteor recommends the use of Belden 9729 or Belden 9841 for DMX installation. Belden 9729/9841 is a two pair cable, which allows for a spare pair for 'out and back' type terminations if needed.

DIMENSIONS



ACCESSORIES

