

EDGE 4

AESTHETIC SQUARE CYLINDER
WITH POWER CORD FREE DESIGN

Housing

Diameter : Ø4" | Height : 9.5" | Weight : 8 lbs

Material

Housing : Extruded Aluminum

Reflector : Flow Forming Aluminum

Power Input

15W, 25W, 35W, 45W | 120V-277V

Lumen Output

1,300 lm (15W), 2,200 lm (25W), 3,150 lm (35W), 4,000 lm (45W)

Dimming

Standard 0-10V : Dims to 10%

Superior 0-10V : Dims to 1%

DMX : High resolution dims to 0.1% (Supports ANSI E1.20 RDM protocol)

LDE1 : Hi-Lume 1% EcoSystem LED Driver with Soft-on, Fade-to-Black (UNV only)

TRC: Linear line-voltage phase control, dims to 1%

Color Quality

CRI 85, CRI 93

Rated Life

> 60,000 Hours (L70)

Finish



Black



White

Color Temperature



2700K



3000K



3500K



4000K

Optics



35°



45°



60°



Wide

Mounting



Stem
Mount



Cord
Mount



Power Line
Mount



Surface
Mount

Warranty

5 Year limited warranty

Listing

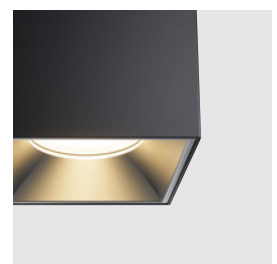


Precision Engineered For High Performance.

4-inch aperture square pendant with a lumen package range of 1200 - 4000 lumens.

Compatible with all 0-10v dimming controls and DMX dimming with ANSI E1.20 RDM Protocol.

This aesthetic luminaire is designed to elevate and illuminate beautiful spaces.



SPECIFICATION SHEET

EDGE 4 AESTHETIC SQUARE CYLINDER WITH POWER CORD FREE DESIGN



SPECIFICATION

PROJECT NAME

DATE

CATALOG #

QUANTITY

ED4	MODEL	EDGE 4		
	WATTAGE	15 15W 45 45W	25 25W	35 35W
	CCT / CRI	278 2700K / CRI 85 309 3000K / CRI 93 408 4000K / CRI 85	279 2700K / CRI 93 358 3500K / CRI 85	308 3000K / CRI 85 359 3500K / CRI 93
UNV	VOLTAGE	UNV 120-277V		
	DIMMING	STV Standard 0-10V dims to 10% LDE1 Hi-Lume 1% EcoSystem LED Driver with Soft-on, Fade-to-Black	SPV Superior 0-10V dims to 1% TRC2 Linear line-voltage phase control, dims to 1%	DMX(RJ45)1 DMX dims to 0.1% (RJ45 Sockets)
	BEAM ANGLE	35 35° WD3 Wide	45 45°	60 60°
	FINISH	BLK Black	WHT White	
	TRIM FINISH	BLK Black	SLV Silver	
	MOUNTING	PL2 (2 / 4 / 6 / 8 / 10) Power Line Mount (2, 4, 6, 8, and 10 ft.) ST2 Stem 2ft	CM10 Cord Mount 10ft ST4 Stem 4ft	SUM4 Surface Mount
	ACCESSORIES	NO No Accessories	RM5 Remote Power	

¹ Option is only compatible with remote power

² Option is only compatible with 120V

³ Please factor in change in lumen output of -20% with WD

⁴ Option is not compatible with remote power

⁵ Remote Power comes with a shallow canopy

SPECIFICATION SHEET

EDGE 4

AESTHETIC SQUARE CYLINDER
WITH POWER CORD FREE DESIGN



TECHNICAL DETAILS

Electrical

- 1,300 lm (15W)
- 2,200 lm (25W)
- 3,150 lm (35W)
- 4,000 lm (45W)
- Power Input: Universal (120-277V)
- Operating Temperature: 14°F~104°F
- Surge Protection: Built-in is 4KV
- Power Factor Greater than 0.9

LED Features

- Color Temperature : 2700K, 3000K, 3500K, 4000K
- CRI 85, CRI 93
- UGR ≤19
- Long lasting LED luminaire tested under TM21 lumen maintenance L70 @ 60,000 Hrs

Optics

- Flow Forming Aluminum Reflector
- Beam Angle : 35°, 45°, 60°, WD

Advanced Dimming

- Proprietary VX Driver™ is incorporated to all dimming options for video flicker-free lighting
- Standard 0-10V : Dims to 10%
- Superior 0-10V : Dims to 1%
- DMX : High resolution dims to 0.1% (Supports ANSI E1.20 RDM protocol)
- LDE1 : Hi-Lume 1% EcoSystem LED Driver with Soft-on, Fade-to-Black (UNV only)
- TRC: Linear line-voltage phase control, dims to 1%

Housing

- Diameter: Ø4"
- Height : 9.5"
- Weight : 8 lbs
- Material : Extruded Aluminum

Mounting

- PowerLine Mount 2ft, 4ft, 6ft, 8ft, 10ft with High Lumen Power Suspension
- Stem 2ft or 4ft
- Cord Mount 10ft
- Surface Mount

Warranty

- 5-year limited warranty

Listing

- ETL Damp Location Listed
- CE
- FCC

PERFORMANCE SUMMARY*

Delivered Lumens				
CCT/WATTAGE	2700K	3000K	3500K	4000K
15W	1,200lm	1,260lm	1,300lm	1,330lm
25W	1,950lm	2,030lm	2,100lm	2,160lm
35W	2,850lm	2,910lm	3,060lm	3,150lm
45W	3,550lm	3,700lm	3,820lm	4,000lm

Current Consumption		
WATTAGE / VOLT	120V	277V
15W	0.14A	0.06A
25W	0.23A	0.1A
35W	0.32A	0.14A
45W	0.41A	0.18A

* Beam Angle 35° Tolerance ±8%

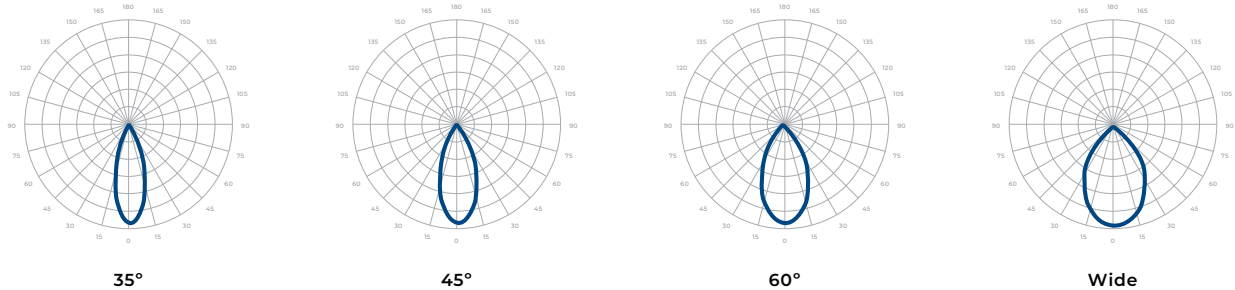
SPECIFICATION SHEET

EDGE 4 AESTHETIC SQUARE CYLINDER WITH POWER CORD FREE DESIGN



PHOTOMETRICS

Below is a typical photometric representation of the Edge 4 fixture. Please download IES files to ensure exact photometric value.



DMX REQUIREMENTS

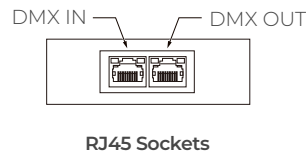
The Edge 4 fixture with DMX is a **one channel DMX** unit.

When placing order, please indicate DMX address. (The DMX address will be listed on the back of the fixture.)

The LED fixture provide RJ45 Socket to connect. (DMX cable **not** included.)

The final fixture should be terminated by the use of DMX Terminator (by others).

CONNECTION	RJ45 (CAT5e)
Common	WHITE/BROWN(PIN7) & BROWN (PIN 8)
Signal -	ORANGE (PIN 2)
Signal +	WHITE/ORANGE (PIN 1)
Spare	-
Spare	-



COMPATIBLE DMX CABLING LIST

DMX uses a cable consisting of two twisted pairs plus a shield to carry data. The cable must be specifically impedance matched for the digital DMX signal, meaning that microphone cable or other non-rated cable **must not be used to carry DMX**. Network cable (Cat5, 5e or 6 cable) may be used to carry DMX in an installation; however special consideration must be given to shielding and termination. Under no circumstances should solid core cable like Cat5 be terminated into a screw down connector.

Meteor recommends the use of Belden 9729 or Belden 9841 for DMX installation. Belden 9729/9841 is a two pair cable, which allows for a spare pair for 'out and back' type terminations if needed.

COMPATIBLE LDE1 DIMMER LIST

LUTRON PART NO.						
RMJ-ECO32-DV-B	FCJ/FCJS-ECO	QSN-1ECO-S	QSN-2ECO-S	QSGRJ-_E	QSGR-_E	QP2-__ 2C
QP2-__ 4C	QP2-__ 6C	QP2-__ 8C	LQSE-2ECO-D			

SPECIFICATION SHEET

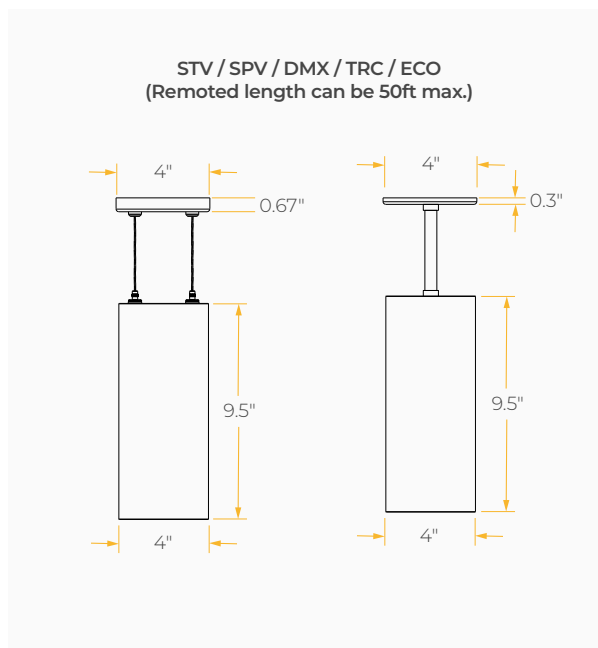
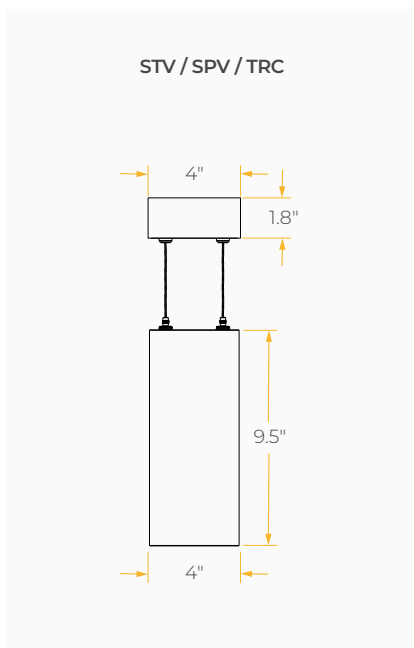
EDGE 4 AESTHETIC SQUARE CYLINDER WITH POWER CORD FREE DESIGN



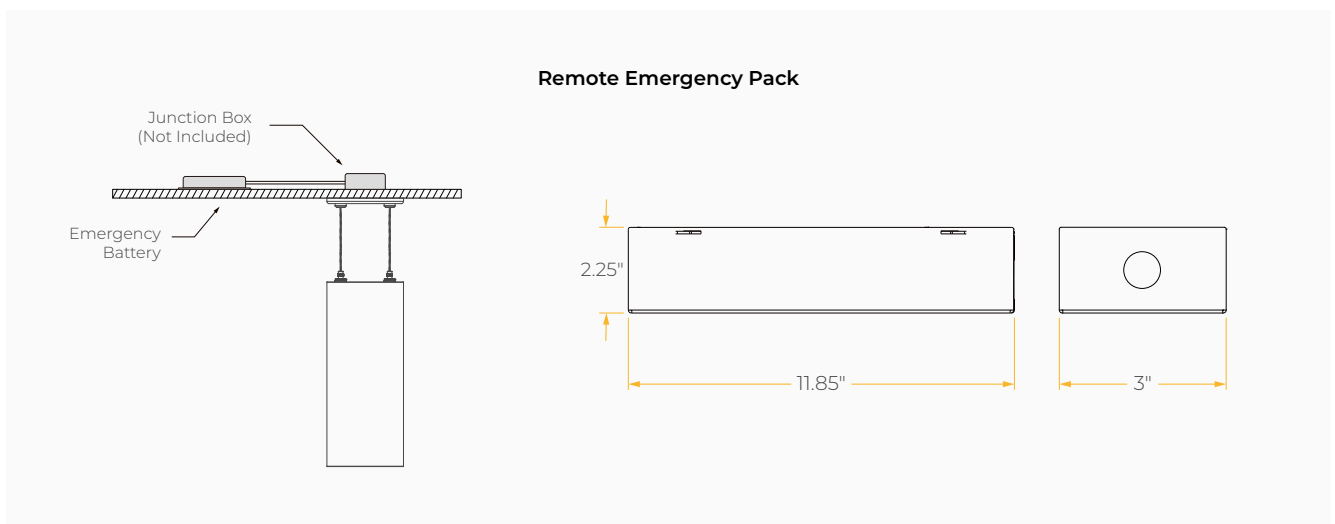
COMPATIBLE TRC DIMMER LIST

PART NO.					
Lutron S-603PG	Lutron DVCL-153P	Lutron DVLV-600P	Lutron TGCL-153P	Lutron S-600P	Lutron DVELV-303P
Lutron SELV-300P	Lutron TG-600P	Lutron DVLV-600P	Lutron LG-600P	Lutron CT-103P	Lutron MAELV-600
Lutron FAELV-500	Leviton IPI06-1LZ	Leviton 6631-2	Leviton VPE06	Leviton 6683-IW	Leviton 6161
Leviton 6633-P	Leviton IPE04	Cooper DLC03P	Cooper SLC03P	Cooper DAL06P	Lightolier ZP260QEW

DIMENSIONS



DIMENSIONS



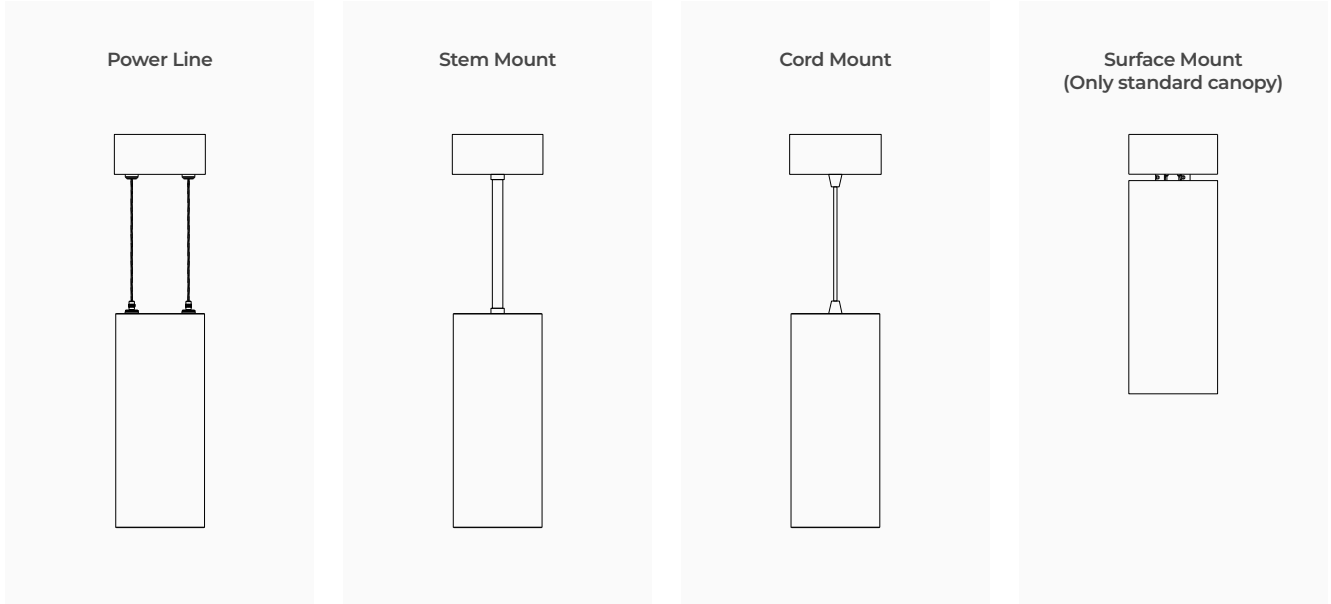
SPECIFICATION SHEET

EDGE 4 AESTHETIC SQUARE CYLINDER
WITH POWER CORD FREE DESIGN



MOUNTING OPTIONS

**Standard Driver-In Canopy Mounting Options*



REMOTE DRIVER CANOPY MOUNTING OPTIONS

