

DUO 6

ELEGANT 6 INCH UP AND DOWN LUMINAIRE

Housing

Diameter : Ø6.37" | Height : 20" | Weight : 15.2 lbs

Material

Housing: High Pressure Die-Cast Aluminum

Lens: Clear polycarbonate

Power Input

30W, 50W, 75W, 95W | 120-277V

Lumen Output

2,800 lm (30W), 4,670 lm (50W), 7,005 lm (75W), 8,810 lm (95W)

Dimming

TRC: Linear line-voltage phase control, dims to 1%

LDEI: Hi-Lume 1% EcoSystem LED Driver with Soft-on,
Superior 0-10V: Dims to 1%

Single Dimming (Controls Up/Down Together)

Dual Dimming (Controls Up/Down Separately)

DMX: High resolution dims to 0.1% (RJ45 only)

(Supports ANSI E1.20 RDM protocol)

Single Dimming (Controls Up/Down Together)

Dual Dimming (Controls Up/Down Separately)

Color Quality

CRI 85, CRI 93 | UGR ≤ 19

Rated Life

> 60,000 Hours (L70)

Finish



Black



White

Color Temperature



2700K



3000K



3500K



4000K

Optics



40°
UP/DOWN



60°
UP/DOWN



WIDE
UP/DOWN

Mounting



Power Line



Power Line
Remote Power

Warranty

5 Year limited warranty

Listing



Intertek

Revolutionary Mounting System

With a unique High Lumen Power Suspension System, the Duo series is an elegant, cable-free and aesthetic up and downlight solution.

With a seamless connector and hidden signal wire, this luminaire seamlessly blends into your environment and space.

Duo gives you perfect optics with intuitive design making it a decorative element that adds a touch of class.



SPECIFICATION SHEET

DUO 6 ELEGANT 6 INCH
UP AND DOWN LUMINAIRE



SPECIFICATION

PROJECT NAME

DATE

CATALOG #

QUANTITY

<input type="text" value="DUO6"/>	MODEL	DUO 6		
<input type="text"/>	WATTAGE	30 Downlight: 15W Uplight: 15W 95 Downlight: 70W Uplight: 25W	50 Downlight: 25W Uplight: 25W	75 Downlight: 50W Uplight: 25W
<input type="text"/>	CCT / CRI	278 2700K / CRI 85 309 3000K / CRI 93 408 4000K / CRI 85	279 2700K / CRI 93 358 3500K / CRI 85	308 3000K / CRI 85 359 3500K / CRI 93
<input type="text" value="UNV"/>	VOLTAGE	UNV 120 – 277V		
<input type="text"/>	DIMMING	<i>Without Signal Wire</i>		
<input type="text"/>		NOD Non-Dimming	TRC ¹ Linear line-voltage phase control, dims to 1%	LDE1 ² Hi-Lume 1% EcoSystem LED Driver with Soft-on, Fade-to-Black (UNV only)
<input type="text"/>	DIMMING	<i>With Signal Wire</i>		
<input type="text"/>		SPVS Superior 0-10V dims to 1% Single (Up/Down Together) DMXRD ³ DMX dims to 0.1% Dual (Up/Down Separately)	SPVD Superior 0-10V dims to 1% Dual (Up/Down Separately)	DMXRS ³ DMX dims to 0.1% Single (Up/Down Together)
<input type="text"/>	BEAM ANGLE	<i>Downlight</i>		
<input type="text"/>		40 40°	60 60°	WD ⁴ Wide
<input type="text"/>	BEAM ANGLE	<i>Uplight</i>		
<input type="text"/>		40 40°	60 60°	WD ⁴ Wide
<input type="text"/>	FINISH	BLK Black	WHT White	
<input type="text"/>	MOUNTING	PL2 (2 / 4 / 6 / 8 / 10) Power Line Mount (2, 4, 6, 8, and 10 ft.)	PL2RM (2 / 4 / 6 / 8 / 10) Power Line Mount with Remote Power (2, 4, 6, 8, and 10 ft.)	EMP Remote Emergency Pack

¹ Option is only compatible with 120V and 30W only
² Option is only compatible with 30W only
³ Option only applies to RJ45 Sockets
⁴ Please factor in change in lumen output of -20% with WD

SPECIFICATION SHEET

DUO 6

ELEGANT 6 INCH
UP AND DOWN LUMINAIRE

METEOR

TECHNICAL DETAILS

Electrical

- 2,800 lm (30W) Uplight: 15W / Downlight: 15W
- 4,670 lm (50W) Uplight: 25W / Downlight: 25W
- 7,005 lm (75W) Uplight: 25W / Downlight: 25W
- 8,810 lm (95W) Uplight: 25W / Downlight: 70W
- Power Input: Universal (120-277V)
- Operating Temperature: -13°F~104°F
- Surge Protection: Built-in is 2.5KV
- Power Factor Greater than 0.9
- Remote Emergency Pack: Bodine BSL20B2UEK55C111

LED Features

- Color Temperature: 2700K, 3000K, 3500K, 4000K
- CRI 85, CRI 93
- UGR ≤ 19
- Long lasting LED luminaire tested under TM21 lumen maintenance L70 @ 60,000 Hrs

Optics

- Precision molded high transmittance clear lenses
- Beam Angle: Up&Down: 40°, 60°, WD

Advanced Dimming

- Proprietary VX Driver™ is incorporated to all dimming options for video flicker-free lighting

Without Signal Wire

- TRC: Linear line-voltage phase control, dims to 1%
- LDE1 : Hi-Lume 1% EcoSystem LED Driver with Soft-on, Fade-to-Black (UNV only)

With Signal Wire

- Superior 0-10V: dims to 1%
Single Dimming (Controls Up/Down Together)
Dual Dimming (Controls Up/Down Separately)
- DMX: high resolution dims to 0.1% (RJ45 only)
(Supports ANSI E1.20 RDM protocol)
Single Dimming (Controls Up/Down Together)
Dual Dimming (Controls Up/Down Separately)

Housing

- Diameter: Ø6.37"
- Height: 20"
- Material: High Pressure Die-Cast Aluminum
- Weight: 15.2 lbs
- Canopy Height: 2.95"

Mounting

- Power Line Mount 2ft, 4ft, 6ft, 8ft, 10ft (Canopy Height: 2.95")
- Power Line Mount 2ft, 4ft, 6ft, 8ft, 10ft with Remote Power (Canopy Height: 0.84")

Warranty

- 5-year limited warranty

Listing

- ETL Listed

SPECIFICATION SHEET

DUO 6 ELEGANT 6 INCH UP AND DOWN LUMINAIRE



PERFORMANCE SUMMARY*

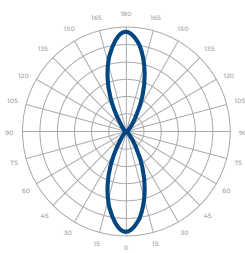
Delivered Lumens				
CCT/WATTAGE	2700K	3000K	3500K	4000K
30W UP (15W)	1,240lm	1,345lm	1,380lm	1,400lm
30W DOWN (15W)	1,240lm	1,345lm	1,380lm	1,400lm
50W UP (25W)	2,070lm	2,245lm	2,305lm	2,335lm
50W DOWN (25W)	2,070lm	2,245lm	2,305lm	2,335lm
75W UP (25W)	2,070lm	2,245lm	2,305lm	2,335lm
75W DOWN (50W)	4,145lm	4,495lm	4,610lm	4,670lm
95W UP (25W)	2,070lm	2,245lm	2,305lm	2,335lm
95W DOWN (70W)	5,745lm	6,230lm	6,390lm	6,475lm

Current Consumption		
WATTAGE / VOLT	120V	277V
30W	0.28A	0.12A
50W	0.46A	0.20A
75W	0.69A	0.30A
95W	0.87A	0.38A

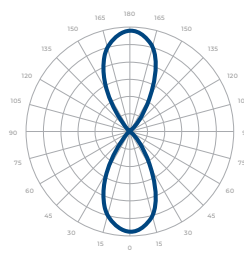
*Tolerance ±8%

PHOTOMETRICS

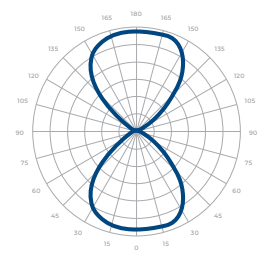
Below is a typical photometric representation of the Duo 6 fixture. Please download IES files to ensure exact photometric value.



40°



60°



WIDE

DMX REQUIREMENTS

The Duo 6 fixture with DMX unit has **two channels** per fixture (1 to control uplight, 1 to control downlight). When placing an order, please indicate DMX address. (The DMX address will be listed on the back of the fixture). Do not connect more than 32 fixtures per DMX daisy chain.

Fixture	DMX Address	
	Uplight (ex. X)	Downlight (ex. X+1)
#1	1	2
#2	3	4
#3	5	6

SPECIFICATION SHEET

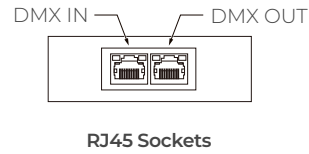
DUO 6 ELEGANT 6 INCH UP AND DOWN LUMINAIRE



DMX REQUIREMENTS

The fixture can be connected with RJ45 sockets. DMX cables **are not** included; please refer to compatible DMX cabling list for more information. The final fixture on each daisy chain should be terminated by the use of a DMX terminator purchased from a 3rd party or from Meteor.

CONNECTION	RJ45 (CAT5e)
Common	WHITE/BROWN(PIN7) & BROWN (PIN 8)
Signal -	ORANGE (PIN 2)
Signal +	WHITE/ORANGE (PIN 1)
Spare	-
Spare	-



COMPATIBLE DMX CABLING LIST

DMX uses a cable consisting of two twisted pairs plus a shield to carry data. The cable must be specifically impedance matched for the digital DMX signal, meaning that microphone cable or other non-rated cable **must not be used to carry DMX**. Network cable (Cat5, 5e or 6 cable) may be used to carry DMX in an installation; however special consideration must be given to shielding and termination. Under no circumstances should solid core cable like Cat5 be terminated into a screw down connector.

Meteor recommends the use of Belden 9729 or Belden 9841 for DMX installation. Belden 9729/9841 is a two pair cable, which allows for a spare pair for 'out and back' type terminations if needed.

COMPATIBLE TRC DIMMER LIST

PART NO.					
Lutron S-603PG	Lutron DVCL-153P	Lutron DVLV-600P	Lutron TGCL-153P	Lutron S-600P	Lutron DVELV-303P
Lutron SELV-300P	Lutron TG-600P	Lutron DVLV-600P	Lutron LG-600P	Lutron CT-103P	Lutron MAELV-600
Lutron FAELV-500	Leviton IPI06-1LZ	Leviton 6631-2	Leviton VPE06	Leviton 6683-IW	Leviton 6161
Leviton 6633-P	Leviton IPE04	Cooper DLC03P	Cooper SLC03P	Cooper DAL06P	Lightolier ZP260QEW

COMPATIBLE LDE1 DIMMER LIST

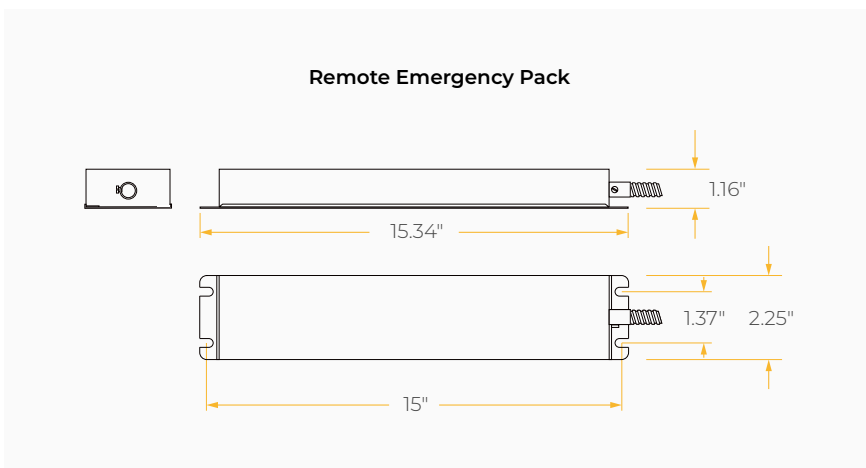
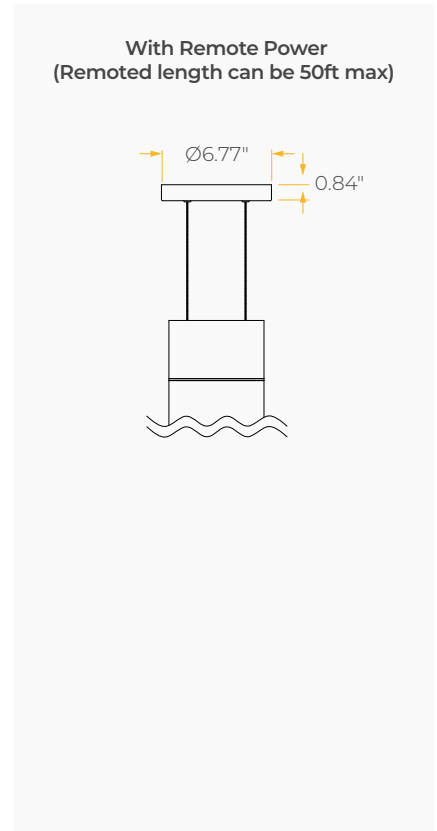
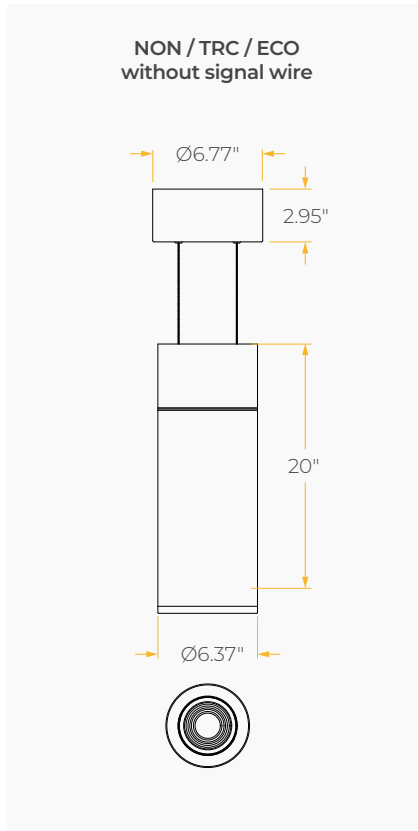
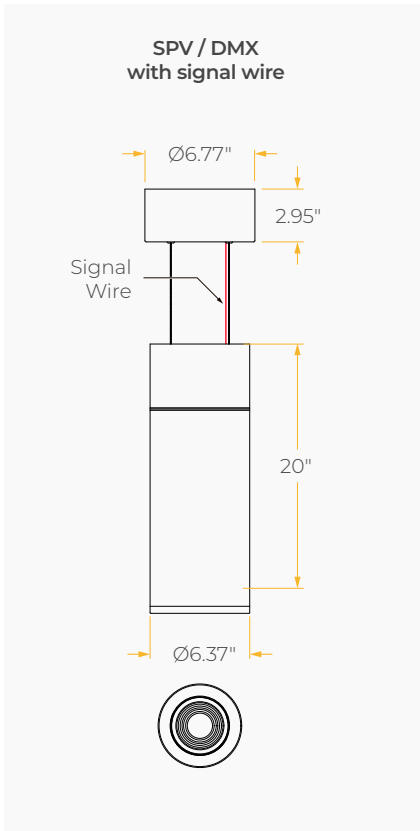
LUTRON PART NO.						
RMJ-ECO32-DV-B	FCJ/FCJS-ECO	QSN-1ECO-S	QSN-2ECO-S	QSGRJ-_E	QSGR-_E	QP2-__2C
QP2-__4C	QP2-__6C	QP2-__8C	LQSE-2ECO-D			

SPECIFICATION SHEET

DUO 6 ELEGANT 6 INCH
UP AND DOWN LUMINAIRE



DIMENSIONS



SPECIFICATION SHEET

DUO 6 ELEGANT 6 INCH
UP AND DOWN LUMINAIRE



MOUNTING OPTIONS*

**Junction Box not included*

