

# DOT 3

SPECIFICATION SHEET  
WARM DIM

## AESTHETIC MICROCYLINDER SMALL BEYOND COMPARE

### Housing

Diameter : Ø3.5" | Height : 8.5" | Weight : 2.9 lbs

### Material

Housing: High Pressure Die-Cast Aluminum  
Lens: TIR Polycarbonate Lens

### Power Input

15W, 25W | 120-277V

### Lumen Output

1,020 lm (15W)  
1,760 lm (25W)

### Dimming

Superior 0-10V: Dims to black

### Color Quality

CRI 93 | UGR ≤ 19

### Finish



Black



White

### Color Temperature



ColorFlip™ Warm Dim  
1800K ↔ 3000K

### Optics



45°



60°

### Mounting



Stem  
Mount



Cord  
Mount



Surface  
Mount

### Warranty

5 Year limited warranty

### Listing



## One Microcylinder Family To Rule Them All

The Dot 3.5 micro cylinders come with a delivered lumen package of up to 1,760 lm. Available in black and white finishes, a variety of mounting options, and accessories.

Two years on from the introduction of the Dot series, we have now expanded the line to include even smaller apertures and greater optical, and design accessories. Offering optimal balance between diminutive design and high performance.



METEOR

meteor-lighting.com

**SPECIFICATION**

PROJECT NAME

DATE

CATALOG #

QUANTITY

<b>DT3</b>	MODEL	<b>DOT 3</b>		
	WATTAGE	<b>15</b> 15W	<b>25</b> 25W	
<b>WDIM</b>	CCT / CRI	<b>WDIM</b> 1800K - 3000K		
<b>UNV</b>	VOLTAGE	<b>UNV</b> 120 – 277V		
<b>SPV</b>	DIMMING	<b>SPV</b> Superior 0-10V dims to black		
	BEAM ANGLE	<b>45</b> 45°	<b>60</b> 60°	
	FINISH	<b>BLK</b> Black	<b>WHT</b> White	
	MOUNTING	<b>ST2</b> Stem Mount 2ft <b>SUM</b> Surface Mount	<b>ST4</b> Stem Mount 4ft	<b>CM10</b> Cord Mount 10ft
	ACCESSORIES*	<b>NO</b> No Accessories	<b>HC<sup>1</sup></b> Hex Cell Louver	<b>SL<sup>2</sup></b> Solite Lens

<sup>1</sup> Please factor in change in lumen output of -30%

<sup>2</sup> Please factor in change in lumen output of -12%

\* Only one accessory may be selected

## TECHNICAL DETAILS

### Electrical

- 1,020 lm (15W)
- 1,760 lm (25W)
- Power Input: Universal (120/277V)
- Operating Temperature: 14°F~95°F
- Surge Protection: Built-in is 2.5KV
- Integral Driver on all product configurations

### LED Features

- ColorFlip™ Warm Dim 1800K ↔ 3000K
- CRI 93
- UGR ≤ 19

### Optics

- TIR Polycarbonate Lens
- Beam Angle: 45°, 60°

### Advanced Dimming

- Proprietary VX Driver™ is incorporated to all dimming options for video flicker-free lighting
- Superior 0-10V dims to black

### Housing

- Diameter: Ø3.5"
- Height: 8.5"
- Material: High Pressure Die-Cast Aluminum
- Weight: 2.9 lbs

### Mounting

- Stem Mount 2ft or 4ft
- Cord Mount 10ft
- Surface Mount

### Warranty

- 5-year limited warranty

### Listing

- ETL Damp Location Listed
- CE
- FCC
- JA8 Title 24 Compliant

## PERFORMANCE SUMMARY\*

Warm Dim	1800K					3000K
<b>0-10V</b> CCT Voltage	0.7	2	4	6	8	10
<b>15W</b>	50lm	180lm	355lm	560lm	765lm	1,020lm
<b>25W</b>	100lm	255lm	775lm	980lm	1,345lm	1,760lm

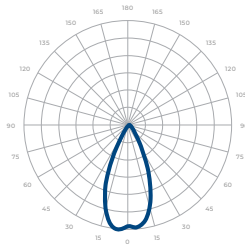
\*Tolerance ±8%

Current Consumption		
WATTAGE / VOLT	120V	277V
<b>15W</b>	0.14A	0.06A
<b>25W</b>	0.24A	0.11A

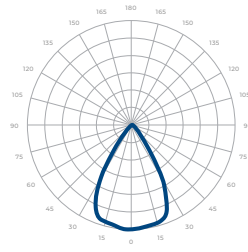
**PHOTOMETRICS**

---

Below is a typical photometric representation of the Dot 3 fixture. Please download IES files to ensure exact photometric value.



45°

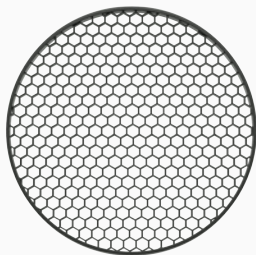


60°

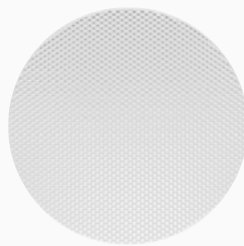
**ACCESSORIES**

---

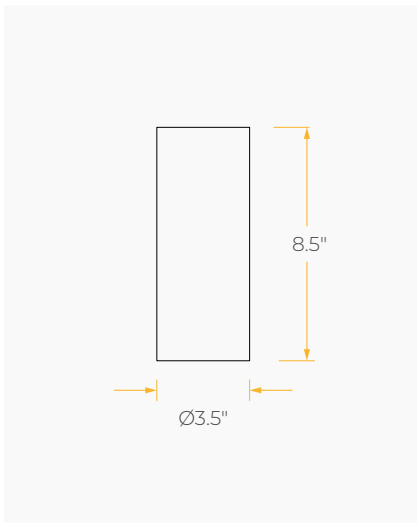
Hex Cell Louver



Solite Lens



**DIMENSIONS**



**MOUNTING OPTIONS\***

*\*Junction Box not included*

