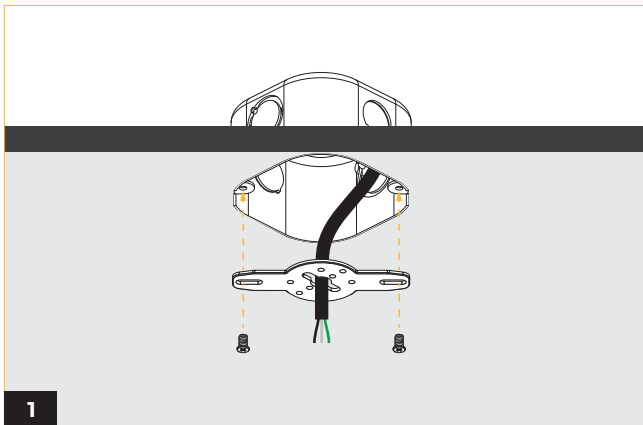


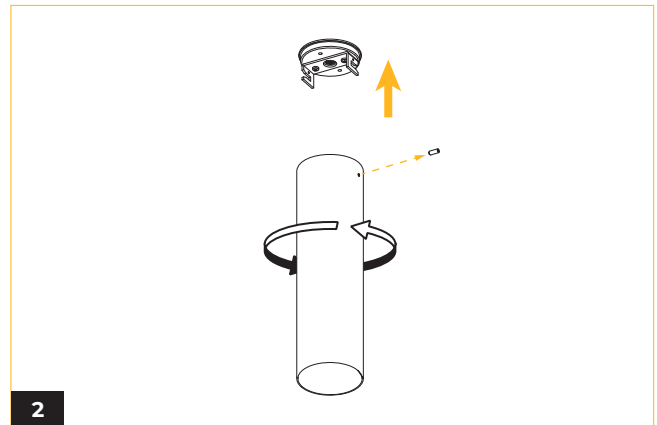
## **IMPORTANT SAFETY INFORMATION** READ AND FOLLOW ALL SAFETY INSTRUCTIONS

- Before wiring to power supply and during servicing or relamping, turn off power at fuse or circuit breaker.
- All servicing or relamping must be performed by qualified service personnel.
- Product must be grounded to avoid potential electric shock or other potential hazard.
- Product must be installed at locations and heights, in a manner consistent with its intended use, and in compliance with Electrical Code and local codes.

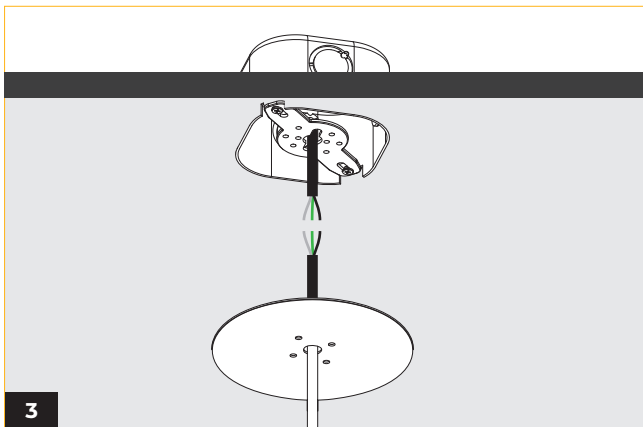
**SAVE THESE INSTRUCTIONS FOR FUTURE REFERENCE**



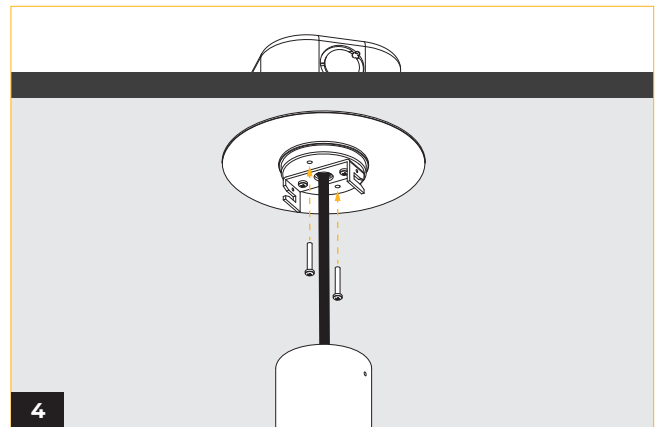
1 Secure the crossbar to junction box (by others), using two phillips screws.



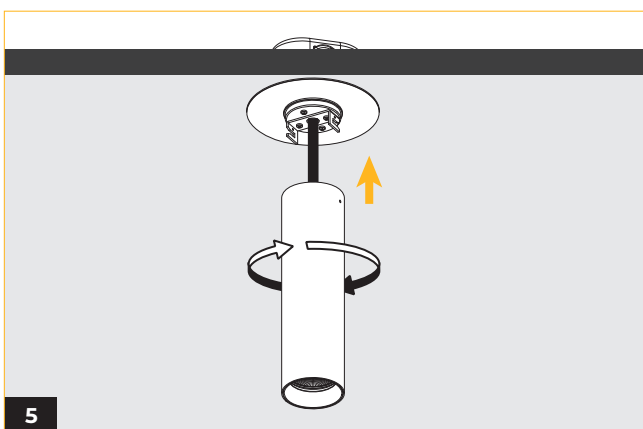
2 Remove top cover of luminaire by removing the hex screw located on the side of the luminaire.



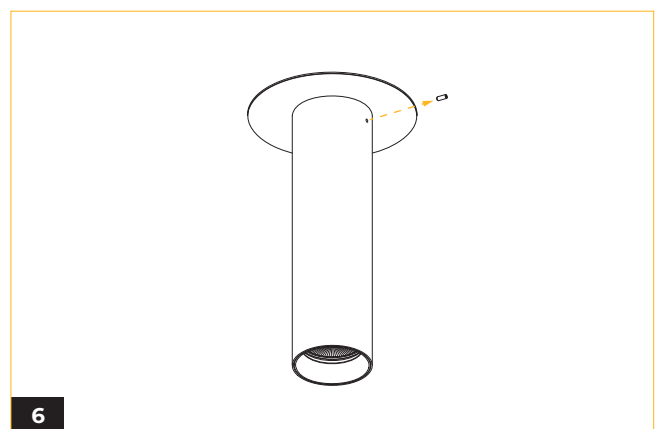
3 Make electrical connections between crossbar and mounting plate. Refer to the wiring diagram for more detailed instructions.



4 Secure top cover of luminaire to canopy plate using 2 phillips screws



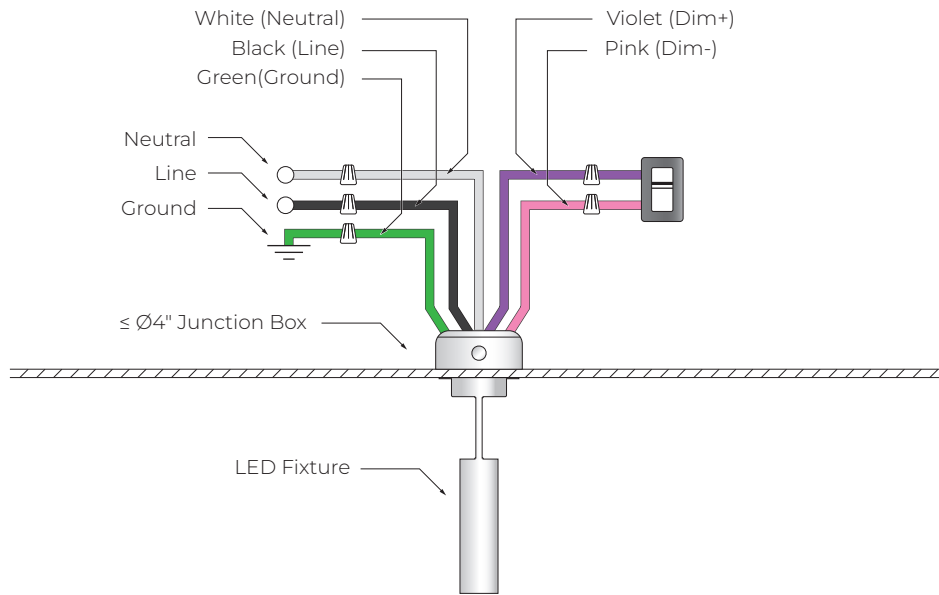
5 Secure the luminaire onto the top cover by hoisting level and rotating clockwise.



6 Secure fixture with hex screw.

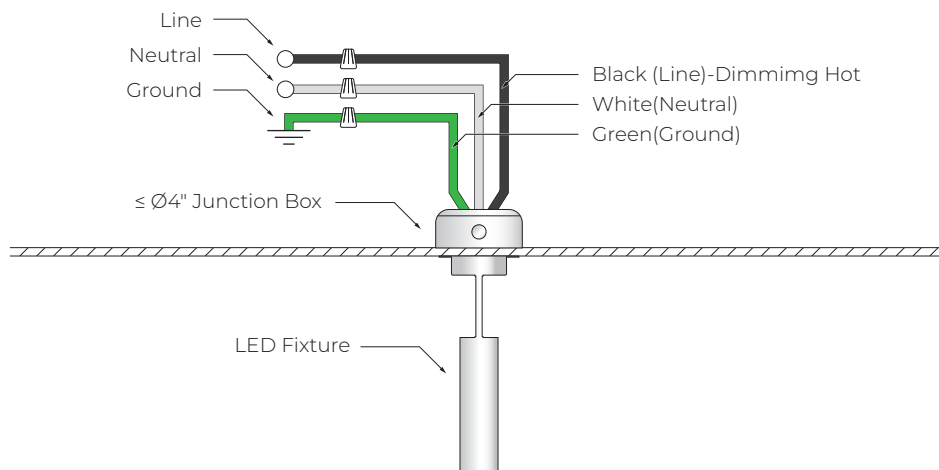
WIRING DIAGRAM

0-10V / Superior 0-10V



\*Not to Scale

TRIAC



\*Not to Scale