

DOT 2

SPECIFICATION SHEET
WARM DIM

AESTHETIC MICROCYLINDER SMALL BEYOND COMPARE

Housing

Diameter : Ø2.5" | Height : 8.5" | Weight : 1.9 lbs

Material

Housing: High Pressure Die-Cast Aluminum
Lens: TIR Polycarbonate Lens

Power Input

15W | 120-277V

Lumen Output

1,000 lm (15W)

Dimming

Superior 0-10V: Dims to black

Color Quality

CRI 93 | UGR ≤ 19

Finish

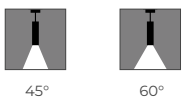


Color Temperature



ColorFlip™ Warm Dim
1800K ↔ 3000K

Optics



Mounting



Warranty

5 Year limited warranty

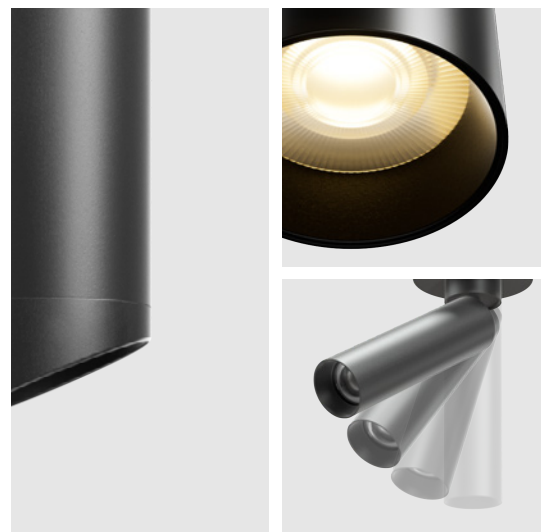
Listing



One Microcylinder Family To Rule Them All

The Dot 2.5 micro cylinders come with a delivered lumen package of up to 850 lm. Available in black and white finishes, a variety of mounting options, and accessories.

Two years on from the introduction of the Dot series, we have now expanded the line to include even smaller apertures and greater optical, and design accessories. Offering optimal balance between diminutive design and high performance.



METEOR

meteor-lighting.com

SPECIFICATION

PROJECT NAME

DATE

CATALOG #

QUANTITY

DT2	MODEL	DOT 2		
15	WATTAGE	15 15W		
WDIM	CCT / CRI	WDIM 1900K - 2700K		
UNV	VOLTAGE	UNV 120 – 277V		
SPV	DIMMING	SPV Superior 0-10V dims to black		
	BEAM ANGLE	45 45°	60 60°	
	FINISH	BLK Black	WHT White	
	MOUNTING	SUM Surface Mount ST2 Stem Mount 2ft ST4A Stem 4ft Adjustable	SA Surface Adjustable ST4 Stem Mount 4ft	CM10 Cord Mount 10ft ST2A Stem 2ft Adjustable
	ACCESSORIES*	NO No Accessories SSB³ Spot Shield Bezel	HC¹ Hex Cell Louver	SL² Solite Lens

¹ Please factor in change in lumen output of -30%

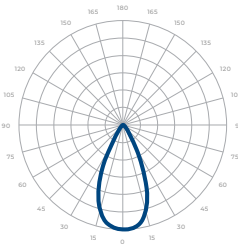
² Please factor in change in lumen output of -15%

³ Please factor in change in lumen output of -20%, Option is not compatible with SA, ST2A, ST4A.

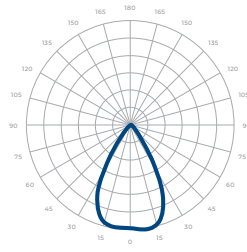
* Only one accessory may be selected

PHOTOMETRICS

Below is a typical photometric representation of the Dot 2 fixture. Please download IES files to ensure exact photometric value.



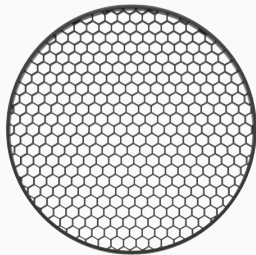
45°



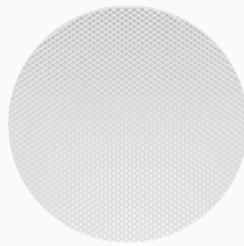
60°

ACCESSORIES

Hex Cell Louver



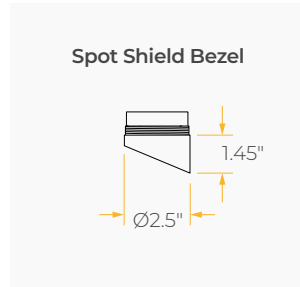
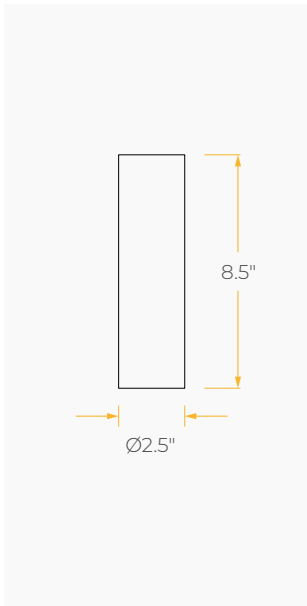
Solite Lens



Spot Shield Bezel

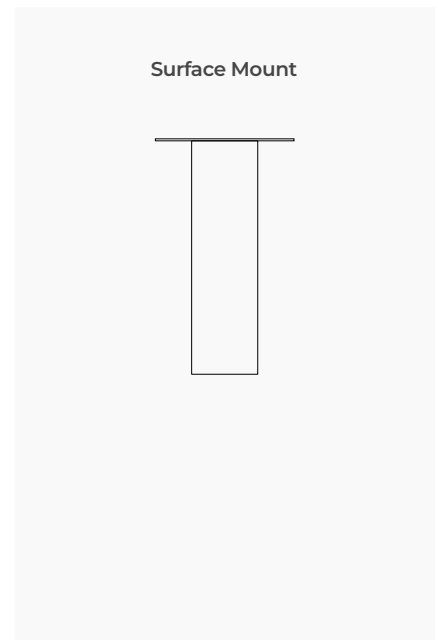
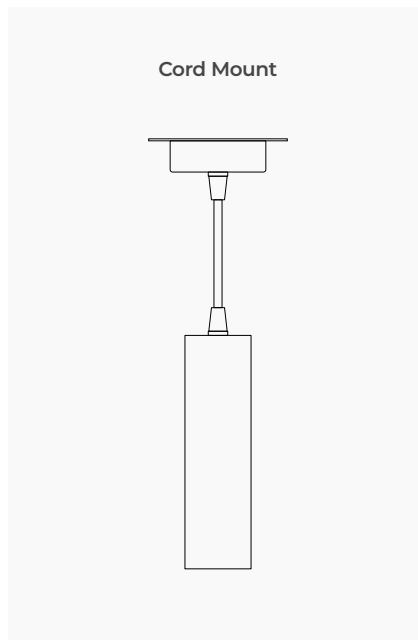
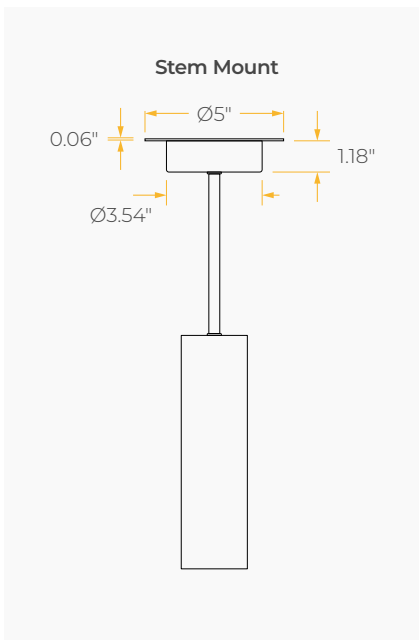


DIMENSIONS



MOUNTING OPTIONS*

*Junction Box not included



MOUNTING OPTIONS*

*Junction Box not included

