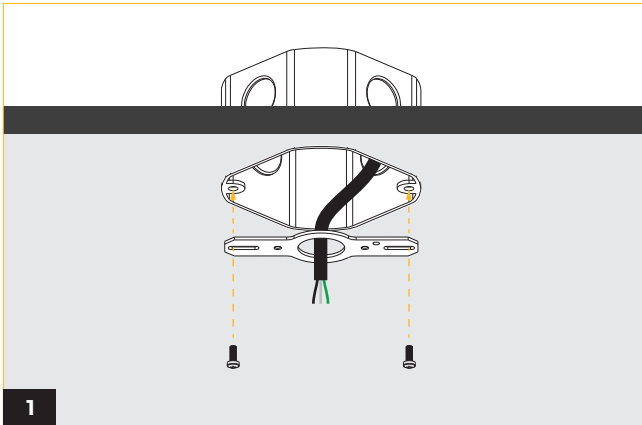


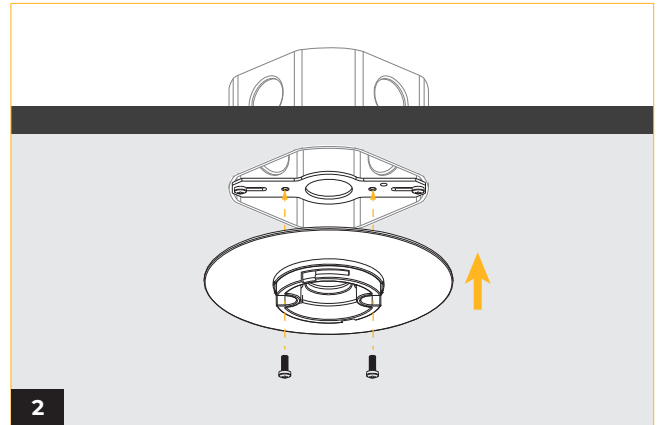
IMPORTANT SAFETY INFORMATION READ AND FOLLOW ALL SAFETY INSTRUCTIONS

- Before wiring to power supply and during servicing or relamping, turn off power at fuse or circuit breaker.
- All servicing or relamping must be performed by qualified service personnel.
- Product must be grounded to avoid potential electric shock or other potential hazard.
- Product must be installed at locations and heights, in a manner consistent with its intended use, and in compliance with Electrical Code and local codes.

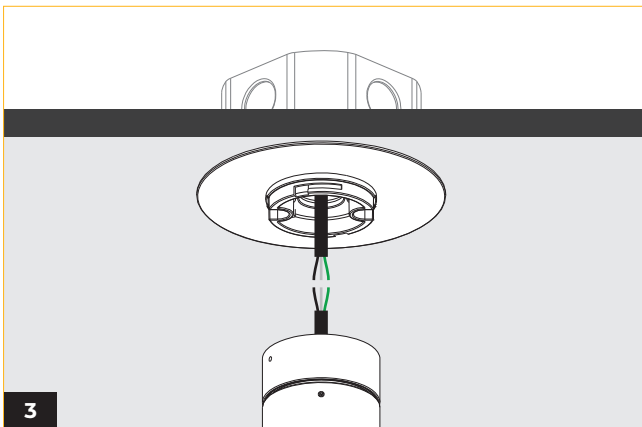
SAVE THESE INSTRUCTIONS FOR FUTURE REFERENCE



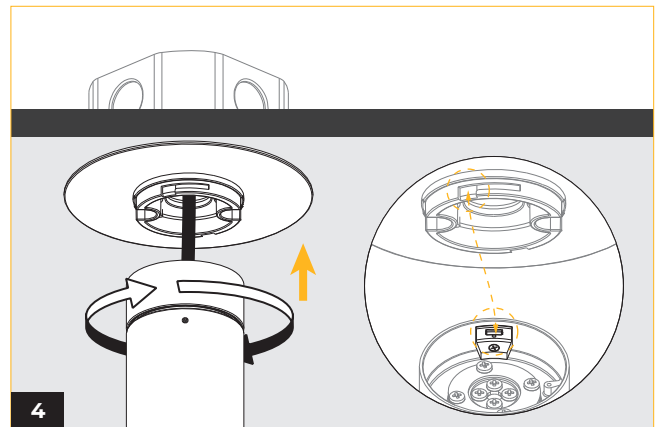
1 Secure the crossbar to junction box (by others), using two phillips screws.



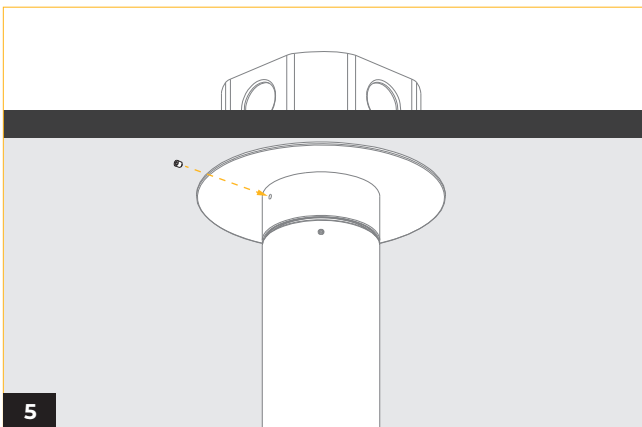
2 Screw the surface adjustable mount plate onto the bracket in the two holes indicated.



3 Refer to the wiring diagram for connection to the junction box.



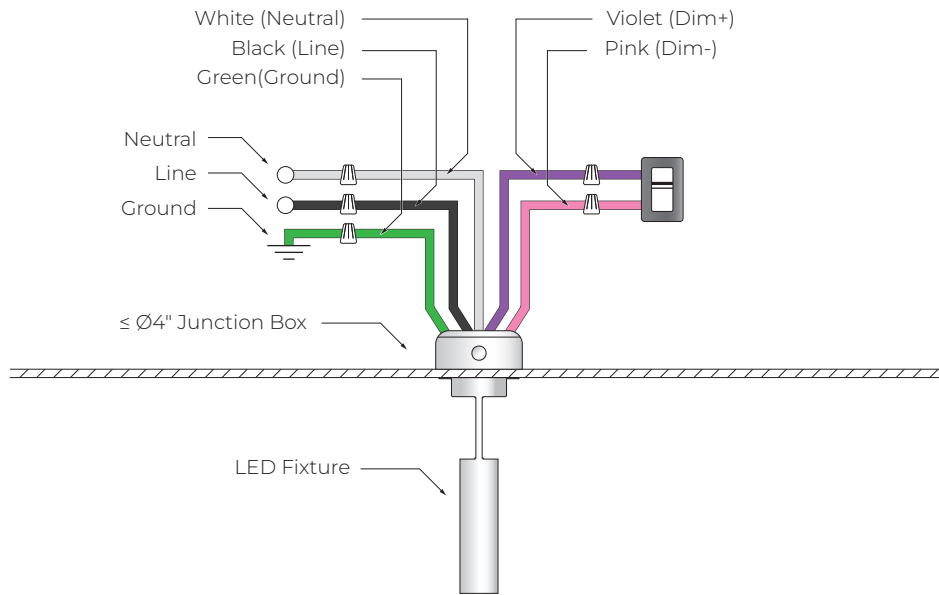
4 Align the bottom part of the fixture with the surface mount plate by matching the U-shaped openings.



5 Secure fixture with hex screw.

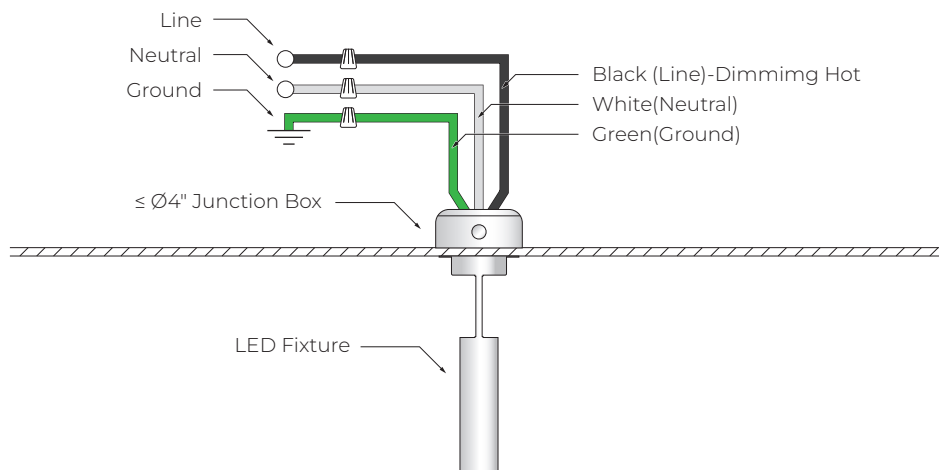
WIRING DIAGRAM

0-10V / Superior 0-10V



*Not to Scale

TRIAC



*Not to Scale