

DOT 2

AESTHETIC MICROCYLINDER SMALL BEYOND COMPARE

Housing

Diameter : Ø2.5" | Height : 8.5" | Weight : 1.9 lbs

Material

Housing: High Pressure Die-Cast Aluminum

Lens: TIR Polycarbonate Lens

Power Input

10W, 15W, 20W | 120-277V

Lumen Output

1,070 lm (10W)

1,600 lm (15W)

2,150 lm (20W)

Dimming

Superior 0-10V: Dims to black

Linear line-voltage phase control, dims to 1%

Color Quality

CRI 85, CRI 93 | UGR ≤ 19

Rated Life

> 60,000 Hours (L70)

Finish



Black



White

Color Temperature



2700K



3000K



3500K



4000K

Optics



20°



30°



45°



60°

Mounting



Stem
Mount



Cord
Mount



Surface
Mount



Stem
Adjustable



Surface
Adjustable

Warranty

5 Year limited warranty

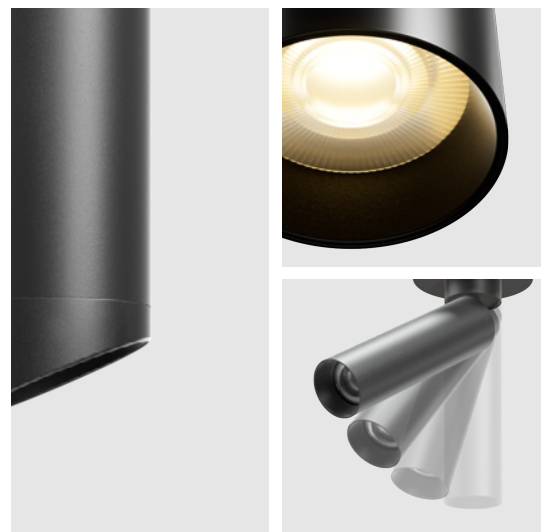
Listing



One Microcylinder Family To Rule Them All

The Dot 2.5 micro cylinders come with a delivered lumen package of up to 2,150 lm. Available in black and white finishes, a variety of mounting options, and accessories.

Two years on from the introduction of the Dot series, we have now expanded the line to include even smaller apertures and greater optical, and design accessories. Offering optimal balance between diminutive design and high performance.



SPECIFICATION SHEET

DOT 2 AESTHETIC MICROCYLINDER
SMALL BEYOND COMPARE



SPECIFICATION

PROJECT NAME

DATE

CATALOG #

QUANTITY

DT2	MODEL	DOT 2		
	WATTAGE	10 10W	15 15W	20 20W
	CCT / CRI	278 2700K / CRI 85 279 2700K / CRI 93 408 4000K / CRI 85	308 3000K / CRI 85 309 3000K / CRI 93	358 3500K / CRI 85 359 3500K / CRI 93
UNV	VOLTAGE	UNV 120 – 277V		
	DIMMING	SPV Superior 0-10V dims to black	TRC ¹ Linear line-voltage phase control, dims to 1%	
	BEAM ANGLE	20 20° 60 60°	30 30°	45 45°
	FINISH	BLK Black	WHT White	
	MOUNTING	SUM Surface Mount ST2 Stem Mount 2ft ST4A Stem 4ft Adjustable	SA Surface Adjustable ST4 Stem Mount 4ft	CM10 Cord Mount 10ft ST2A Stem 2ft Adjustable
	ACCESSORIES*	NO No Accessories HC ² Hex Cell Louver	SL ³ Solite Lens	SSB ⁴ Spot Shield Bezel

¹ Option is only compatible with 120V

² Please factor in change in lumen output of -30%

³ Please factor in change in lumen output of -15%

⁴ Please factor in change in lumen output of -20%, Option is not compatible with SA, ST2A, ST4A

* Only one accessory can be chosen

SPECIFICATION SHEET

DOT 2 AESTHETIC MICROCYLINDER
SMALL BEYOND COMPARE

METEOR

TECHNICAL DETAILS

Electrical

- 1,070 lm (10W)
- 1,600 lm (15W)
- 2,150 lm(20W)
- Power Input: Universal (120-277V)
- Operating Temperature: 14°F~95°F
- Surge Protection: Built-in is 2.5KV
- Integral Driver on all product configurations

LED Features

- Color Temperature: 2700K, 3000K, 3500K, 4000K
- CRI ≥ 85, CRI 95
- UGR ≤ 19
- Long life LED system designed for typical TM21 lumen maintenance ≥ L70 @ 60,000Hours

Optics

- TIR Polycarbonate Lens
- Beam Angle: 20°, 30°, 45°, 60°

Advanced Dimming

- Proprietary VX Driver™ is incorporated to all dimming options for video flicker-free lighting
- Superior 0-10V dims to black
- Linear line-voltage phase control, dims to 1%

Housing

- Diameter: Ø2.5"
- Height: 8.5"
- Material: High Pressure Die-Cast Aluminum
- Weight: 1.9 lbs

Mounting

- Surface Mount
- Surface Adjustable Mount (355° Rotation / 90° Tilt)
- Stem Mount 2ft or 4ft
- Stem Adjustable Mount 2ft or 4ft (355° Rotation / 90° Tilt)
- Cord Mount 10ft

Warranty

- 5-year limited warranty

Listing

- ETL Damp Location Listed
- CE
- FCC
- JA8 Title 24 Compliant

PERFORMANCE SUMMARY*

STD (Standard)				
CCT/WATTAGE	2700K	3000K	3500K	4000K
10W	1,000lm	1,040lm	1,060lm	1,070lm
15W	1,450lm	1,550lm	1,580lm	1,600lm
20W	1,950lm	2,050lm	2,100lm	2,150lm

Current Consumption		
WATTAGE / VOLT	120V	277V
10W	0.09A	0.04A
15W	0.14A	0.06A
20W	0.18A	0.09A

*Beam Angle: 60° *Tolerance ±8%

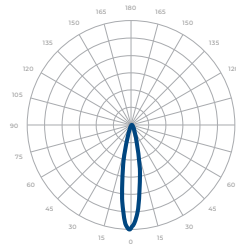
SPECIFICATION SHEET

DOT 2 AESTHETIC MICROCYLINDER
SMALL BEYOND COMPARE

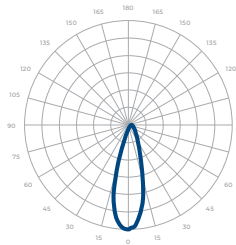
METEOR

PHOTOMETRICS

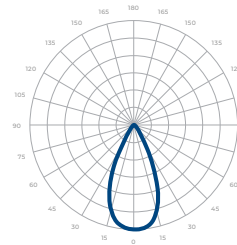
Below is a typical photometric representation of the Dot 2 fixture. Please download IES files to ensure exact photometric value.



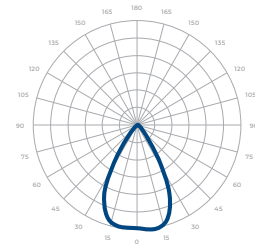
20°



30°



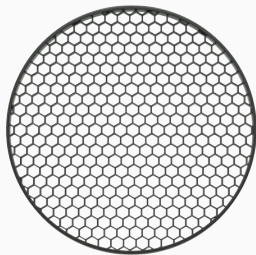
45°



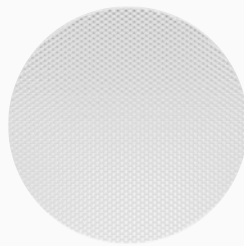
60°

ACCESSORIES

Hex Cell Louver



Solite Lens



Spot Shield Bezel

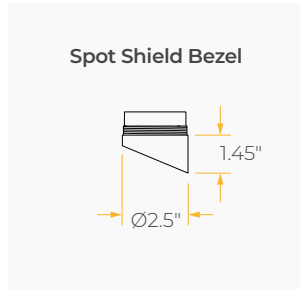
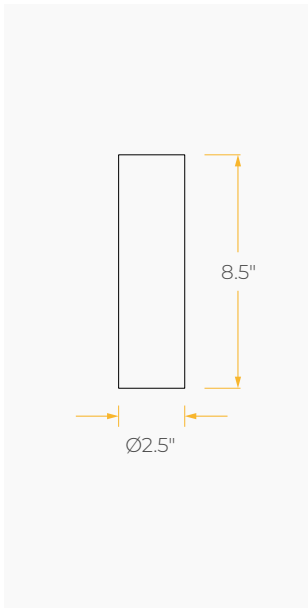


SPECIFICATION SHEET

DOT 2 AESTHETIC MICROCYLINDER
SMALL BEYOND COMPARE

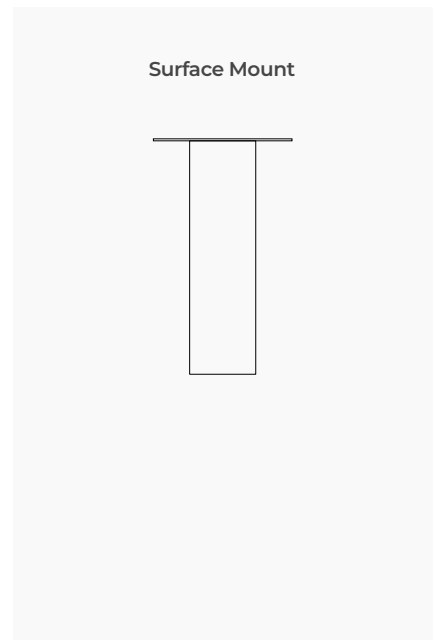
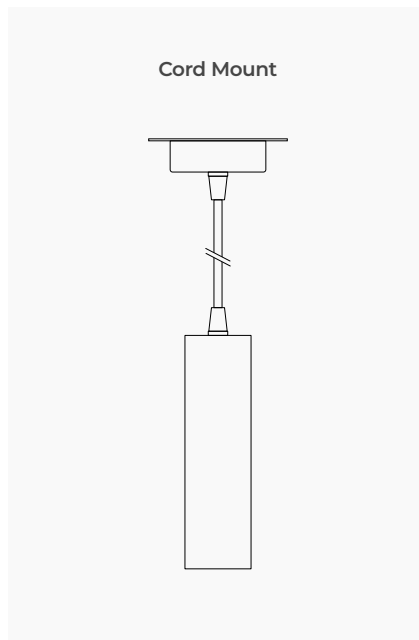
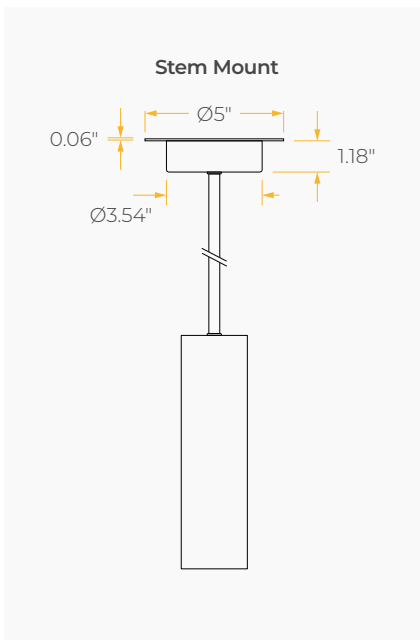


DIMENSIONS



MOUNTING OPTIONS*

*Junction Box not included



SPECIFICATION SHEET

DOT 2 AESTHETIC MICROCYLINDER
SMALL BEYOND COMPARE



MOUNTING OPTIONS*

*Junction Box not included

