

# DEXT MINI 12

SPECIFICATION SHEET

POWERFUL HIGH BAY LUMINAIRE  
UP TO 28,000 LUMEN PACKAGE

## Housing

Diameter : Ø13.4" | Height : 8.7" | Weight : 8.37 lbs

## Material

Housing: High Pressure Die-Cast Aluminum  
Lens: Clear Polycarbonate

## Power Input

150W, 200W | 120-277V

## Lumen Output

19,400 lm (150W)

25,850 lm (200W)

## Dimming

Standard 0-10V: Dims to 10%, automatic shut off when dimmed lower than 10%

## Color Quality

CRI 85

## Rated Life

> 100,000 Hours (L70)

## Finish



Black



White

## Color Temperature



3000K



3500K



4000K



5000K

## Optics



60°



90°



120°

## Mounting



Stem  
Mount



Adjustable  
Cable



Bracket  
Mount

## Warranty

5 Year limited warranty

## Listing

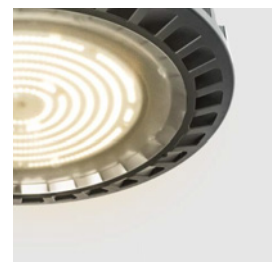


## High Efficacy Led Luminaire For General Illumination And High Ceilings

High performance durable luminaire for high ceiling applications up to 30 ft.

Delivering exceptional light levels at high operating temperatures with a delivered lumen package range of 20,500 lm to 28,600 lm.

Outdoor, wet location listed.



METEOR

[meteor-lighting.com](http://meteor-lighting.com)

SPECIFICATION SHEET

**DEXT MINI 12**

POWERFUL HIGH BAY LUMINAIRE  
UP TO 28,000 LUMEN PACKAGE



**SPECIFICATION**

PROJECT NAME

DATE

CATALOG #

QUANTITY

<b>DSM12</b>	MODEL	<b>DEXT MINI 12</b>		
	WATTAGE	<b>150</b> 150W	<b>200</b> 200W	
	CCT / CRI	<b>308</b> 3000K / CRI 85 <b>507</b> 5000K / CRI 70	<b>358</b> 3500K / CRI 85	<b>408</b> 4000K / CRI 85
<b>UNV</b>	VOLTAGE	<b>UNV</b> 120 – 277V		
	DIMMING	<b>NOD</b> Non-Dimming	<b>STV</b> Standard 0-10V dims to 10%	
	BEAM ANGLE	<b>60</b> 60°	<b>90</b> 90°	<b>WD</b> Wide
	FINISH	<b>BLK</b> Black	<b>WHT</b> White	
	MOUNTING	<b>BRK</b> Bracket <b>AD10</b> Adjustable Cable 10ft	<b>ST2</b> Stem 2ft <b>SAD10</b> Sloped Adjustable Cable 10ft	<b>ST4</b> Stem 4ft
	ACCESSORIES	<b>NO</b> No Accessories <b>PCS16</b> 16" PC Shroud	<b>SPD<sup>1</sup></b> Surge Protector <b>CON<sup>2</sup></b> Conical Lens	<b>ALS15</b> 15" Aluminum Shroud <b>WG<sup>3</sup></b> Wire Guard

<sup>1</sup> Surge protector for up to 10KV. Applicable for unstable mains or facilities using high power machineries.

<sup>2</sup> Only compatible with PCS16. Please factor in -15% change in lumen output with CON.

<sup>3</sup> Please factor in change in lumen output of -14%

SPECIFICATION SHEET

DEXT MINI 12

POWERFUL HIGH BAY LUMINAIRE  
UP TO 28,000 LUMEN PACKAGE



TECHNICAL DETAILS

Electrical

- 21,000 lm (150W)
- 28,000 lm (200W)
- Power Input: Universal (120-277V)
- Operating Temperature: -22°F~113°F
- Surge Protection: Built-in is 4KV

LED Features

- Color Temperature: 3000K, 3500K, 4000K, 5000K
- CRI ≥ 85
- Long lasting LED luminaire tested under TM21 lumen maintenance L70 @ 100,000 Hrs

Optics

- Precision molded high transmittance clear PC lens
- Beam Angle: 60°, 90°, 120°

Advanced Dimming

- Proprietary VX Driver™ is incorporated to all dimming options for video flicker-free lighting
- Standard 0-10V: Dims to 10%, automatic shut off when dimmed lower than 10%

Housing

- Diameter: Ø13.4"
- Height: 8.7"
- Material: High Pressure Die-Cast Aluminum, PC Lens
- Weight: 8.37 lbs

Mounting

- Stem 2ft or 4ft; 45° Swivel Canopy Included
- Adjustable Cable 10ft
- Bracket Mount

Warranty

- 5-year limited warranty

Listing

- ETL Wet Location Listed
- CE
- FCC
- IP65 Rated

PERFORMANCE SUMMARY\*

STD (Standard)				
CCT/WATTAGE	3000K	3500K	4000K	5000K
150W	18,200lm	18,880lm	19,400lm	19,750lm
200W	24,300lm	25,050lm	25,850lm	26,350lm

\*Beam Angle: 90° \*Tolerance ±8%

Current Consumption		
WATTAGE / VOLT	120V	277V
80W	1.25A	0.54A
100W	1.67A	0.72A

PCS (PC Shroud)				
CCT/WATTAGE	3000K	3500K	4000K	5000K
150W	17,300lm	17,850lm	18,400lm	18,800lm
200W	23,050lm	23,800lm	24,550lm	25,050lm

\*Beam Angle: 90° \*Tolerance ±8%

ALS (Aluminum Shroud)				
CCT/WATTAGE	3000K	3500K	4000K	5000K
150W	18,500lm	19,100lm	19,700lm	20,100lm
200W	24,650lm	25,500lm	26,250lm	26,800lm

\*Beam Angle: 90° \*Tolerance ±8%

SPECIFICATION SHEET

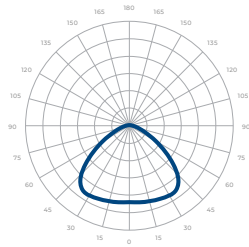
**DEXT MINI 12**

POWERFUL HIGH BAY LUMINAIRE  
UP TO 28,000 LUMEN PACKAGE

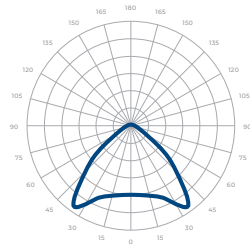


**PHOTOMETRICS**

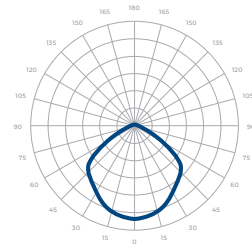
Below is a typical photometric representation of the Dext Mini fixture. Please download IES files to ensure exact photometric value.



STANDARD 90°



PC SHROUD 90°



ALUMINUM SHROUD 90°

**ACCESSORIES**

15" Aluminum Shroud



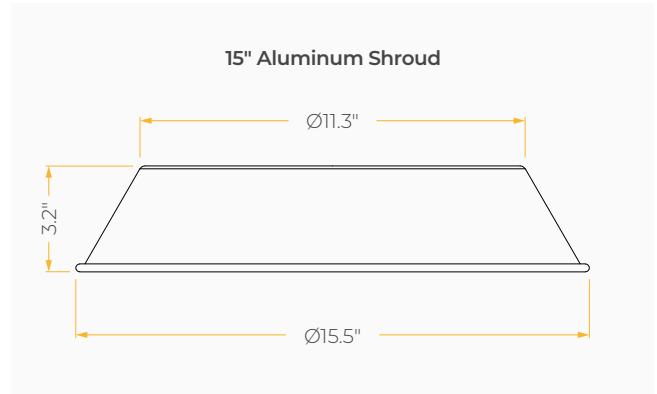
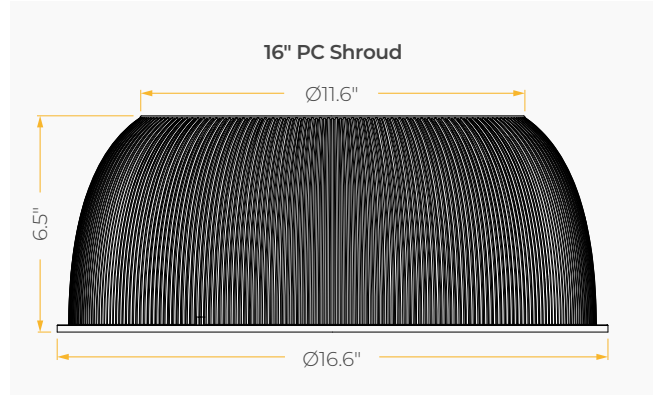
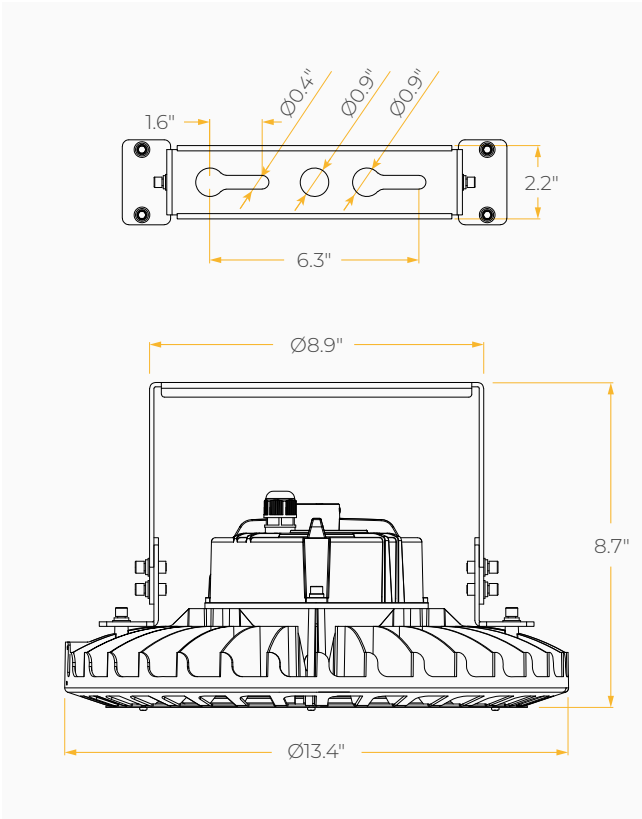
16" PC Shroud



16" PC Shroud + Conical Lens



**DIMENSIONS**



**MOUNTING OPTIONS\***

\*Junction Box not included

