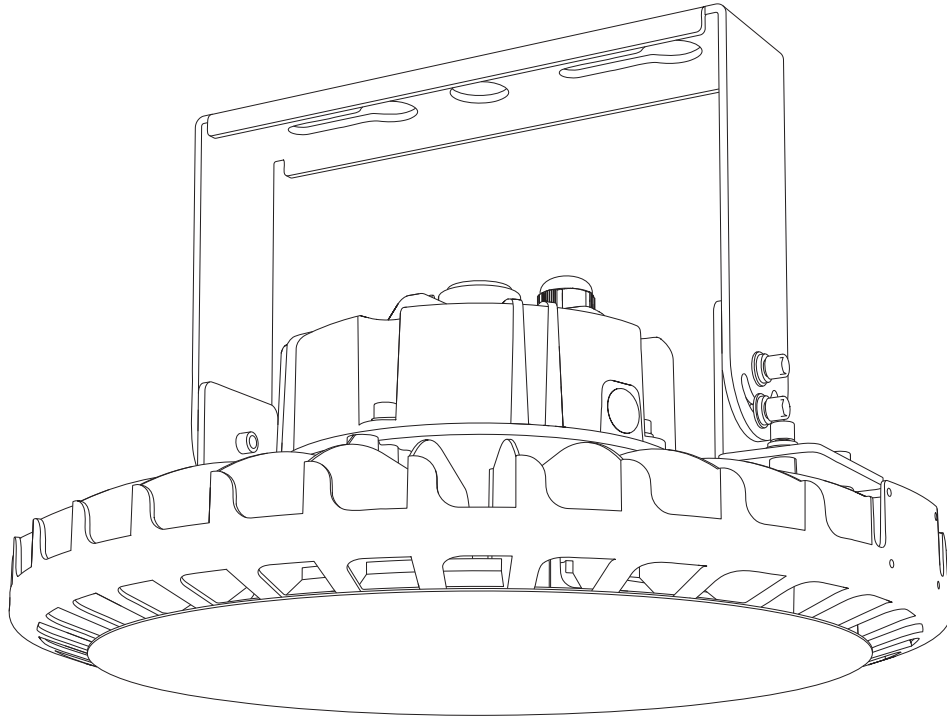


DEXT MINI SERIES

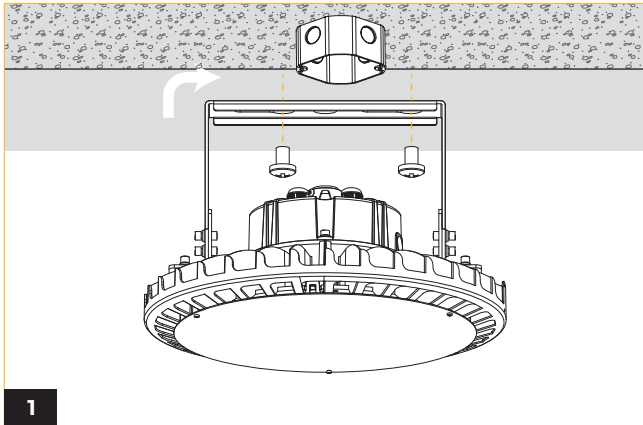
INSTALLATION GUIDE



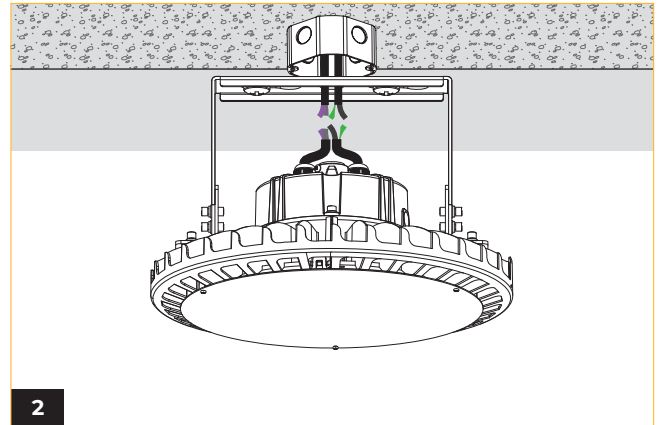
IMPORTANT SAFETY INFORMATION READ AND FOLLOW ALL SAFETY INSTRUCTIONS

- Before wiring to power supply and during servicing or relamping, turn off power at fuse or circuit breaker.
- All servicing or relamping must be performed by qualified service personnel.
- Product must be grounded to avoid potential electric shock or other potential hazard.
- Product must be installed at locations and heights, in a manner consistent with its intended use, and in compliance with Electrical Code and local codes.

SAVE THESE INSTRUCTIONS FOR FUTURE REFERENCE



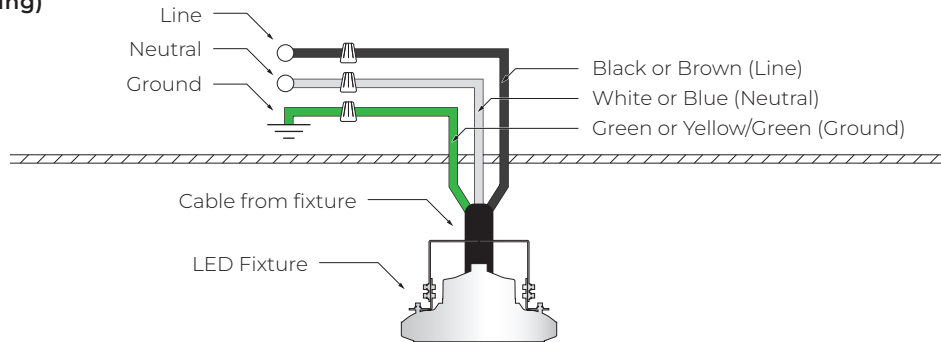
Secure mounting bracket to surface with mounting hardware that is sufficient to support weight of the fixture.



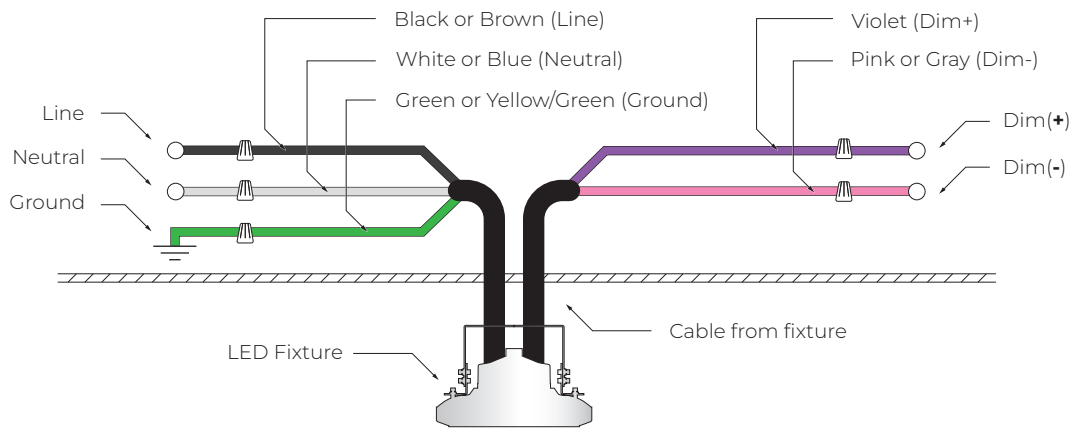
Make electrical connections between junction box and fixture according to the wiring diagram.

WIRING DIAGRAM

NOD (Non Dimming)



STV 0-10V



SPD (Surge Protector)

