

DEXT 2.0

SPECIFICATION SHEET
OUTDOOR & NATATORIUM

ECONOMICAL HIGH-PERFORMING HIGH BAY LUMINAIRE

Housing

Diameter : Ø14.5" | Height : 10.25" | Weight : 17.64 lbs

Material

Housing: High Pressure Die-Cast Aluminum
Lens: Clear Polycarbonate

Power Input

150W, 200W, 280W | 120-277V

Lumen Output

16,950 lm (150W), 22,600 lm (200W), 33,900 lm (280W)

Dimming

Standard 0-10V: Dims to 10%

Color Quality

CRI 85

Rated Life

> 60,000 Hours (L70)

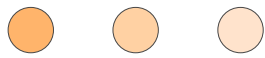
Finish



Black

White

Color Temperature



3000K

4000K

5000K

Optics



50°



Wide

Mounting



Bracket



Stem
Mount



Adjustable
Cable

Warranty

5 Year limited warranty

Listing



High Efficacy Led Luminaire For General Illumination And High Ceilings

High performance durable luminaire for high ceiling applications up to 50 ft.

Delivering exceptional light levels at high operating temperatures with a delivered lumen package range of 16,500 lm to 34,800 lm.

Outdoor, wet location listed.



METEOR

meteor-lighting.com

SPECIFICATION

PROJECT NAME

DATE

CATALOG #

QUANTITY

DS2	MODEL	DEXT 2.0 SERIES		
	WATTAGE	150 150W	200 200W	280 280W
	CCT / CRI	308 3000K / CRI 85	408 4000K / CRI 85	508 5000K / CRI 85
UNV	VOLTAGE	UNV 120 – 277V		
	DIMMING	NOD Non-Dimming	STV Standard 0-10V dims to 10%	
	BEAM ANGLE	50 50°	WD Wide	
	FINISH	BLK Black	WHT White	
	MOUNTING	BRK Bracket AD10 Adjustable Cable 10ft	ST2 Stem 2ft	ST4 Stem 4ft
	ACCESSORIES	NO No Accessories	SPD¹ Surge Protector	WG² Wire Guard
	RATING	OUT³ Outdoor Rating	NAT⁴ Natatorium Rating	

¹ Surge protector for up to 10KV. Applicable for unstable mains or facilities using high power machinery

² Please factor in change in lumen output with WG -14%

³ Outdoor Rating: Coating and wiring will be changed to high UV resistant and corrosion resistant materials for long-term operation in outdoor environments

⁴ Natatorium Rating: Coating and sealant will be changed to high corrosion resistant materials to prevent damage from long-term exposure to chlorine vapors

TECHNICAL DETAILS

Electrical

- 16,950 lm (150W)
- 22,600 lm (200W)
- 33,900 lm (280W)
- Power Input: Universal (120-277V)
- Operating Temperature: -22°F~113°F
- Surge Protection: Built-in is 4KV

LED Features

- Color Temperature: 3000K, 4000K, 5000K
- CRI 85
- Long lasting LED luminaire tested under TM21 lumen maintenance L70 @ 60,000 Hrs

Optics

- Precision molded high transmittance clear PC lens
- Beam Angle: 50°, WD

Advanced Dimming

- Proprietary VX Driver™ is incorporated to all dimming options for video flicker-free lighting
- Standard 0-10V: Dims to 10%

Housing

- Diameter: Ø14.5"
- Height: 10.25"
- Material: High Pressure Die-Cast Aluminum, PC Lens
- Weight: 17.64 lbs

Mounting

- Bracket
- Stem 2ft or 4ft; 45° Swivel Canopy Included
- Adjustable Cable 10ft

Warranty

- 5-year limited warranty

Listing

- ETL Wet Location Listed
- CE
- UKCA
- UGR
- IP65

PERFORMANCE SUMMARY*

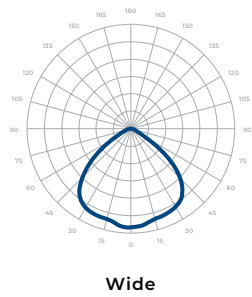
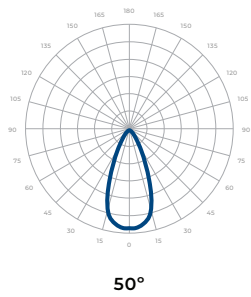
Delivered Lumens (Downlight)			
CCT/WATTAGE	3000K	4000K	5000K
150W	16,500lm	16,950lm	17,400lm
200W	22,000lm	22,600lm	23,200lm
280W	33,000lm	33,900lm	34,800lm

Current Consumption		
WATTAGE / VOLT	120V	277V
150W	1.52A	0.66A
200W	2.03A	0.88A
280W	3.05A	1.32A

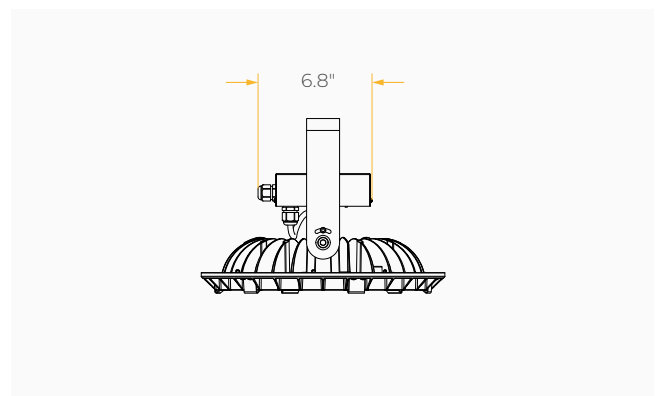
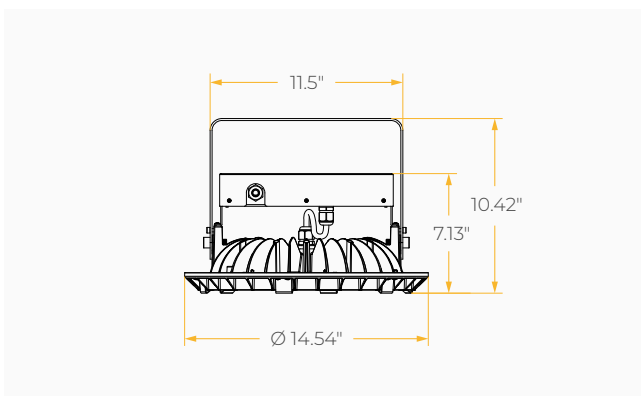
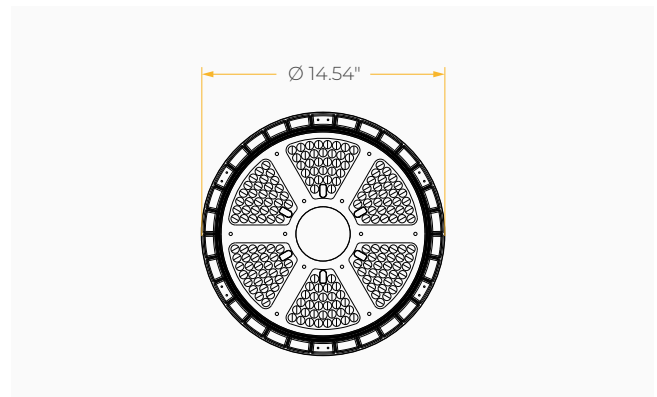
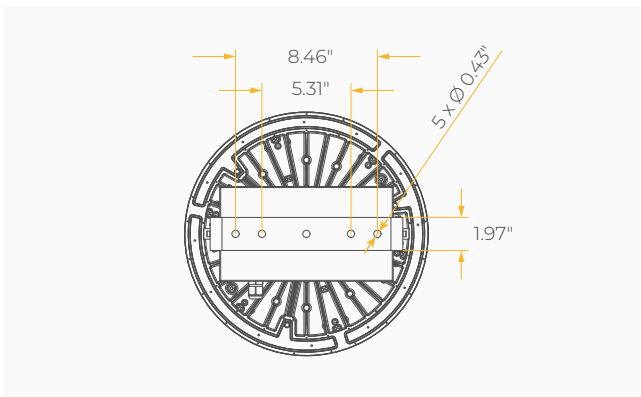
*Beam Angle: 50° *Tolerance ±8%

PHOTOMETRICS

Below is a typical photometric representation of the Dext 2.0 fixture. Please download IES files to ensure exact photometric value.

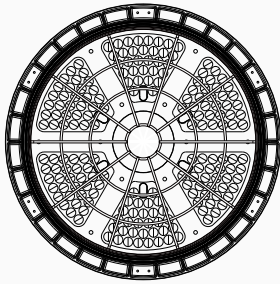


DIMENSIONS



ACCESSORIES

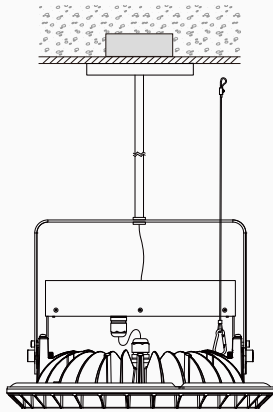
Wire Guard



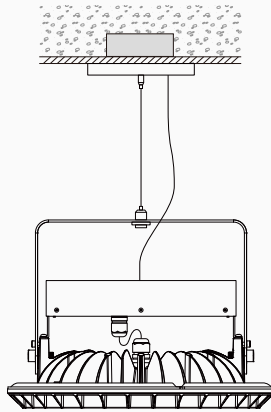
MOUNTING OPTIONS*

**Junction Box not included*

Stem Mount



Adjustable Cable Mount



Bracket

