

# BOLT MINI

SPECIFICATION SHEET  
STANDARD

HIGH PERFORMING AND COMPACT LUMINAIRE  
FOR GREATER HEIGHTS

## Housing

Diameter : 4.14" x 11" x 9.06" | Weight : 9.7 lbs

## Material

Housing: High Pressure Die-Cast Aluminum

Lens: Tempered Glass

## Power Input

60W, 100W, 150W, 200W | 120-277V

## Lumen Output

7,780 lm (60W), 11,850 lm (100W), 21,330 lm (150W), 26,295 lm (200W)

## Dimming

Standard 1-10V: Dims to 10%

## Color Quality

CRI 75, CRI 85

## Rated Life

> 100,000 Hours (L70)

## Finish



Black



White

## Color Temperature



3000K



4000K



5000K

## Optics



30°



60°



Wide

## Mounting



Bracket

## Warranty

5 Year limited warranty

## Listing



Not all Bolt Series are DLC qualified.  
For all qualified products  
Please visit: [www.designlights.org/qpl](http://www.designlights.org/qpl)

## High Efficacy Led Luminaire For General Illumination And High Ceilings

The all new Bolt Mini. A transformation for greater heights with new technologies, performance and optics. This mini version is compact, yet boasts a lumen package range of 6,930 lm - 26,295 lm, and is available in Outdoor and Natatorium rated options. The Bolt Mini is perfect for a variety of project applications such as convention centers, multifunctional spaces, sports facilities, and others.



METEOR

[meteor-lighting.com](http://meteor-lighting.com)

SPECIFICATION SHEET / STANDARD

**BOLT MINI**

HIGH PERFORMING AND COMPACT LUMINAIRE FOR GREATER HEIGHTS



**SPECIFICATION**

PROJECT NAME

DATE

CATALOG #

QUANTITY

<b>BLTM</b>	MODEL	<b>BOLT MINI SERIES</b>		
	WATTAGE	<b>60</b> 60W <b>200</b> 200W	<b>100</b> 100W	<b>150</b> 150W
	CCT / CRI	<b>308</b> 3000K / CRI85	<b>408</b> 4000K / CRI85	<b>507</b> 5000K / CRI75
<b>UNV</b>	VOLTAGE	<b>UNV</b> 120 – 277V		
<b>STV</b>	DIMMING	<b>STV</b> Standard 1-10V dims to 10%		
	BEAM ANGLE	<b>30</b> 30°	<b>60</b> 60°	<b>WD<sup>1</sup></b> Wide
	FINISH	<b>BLK</b> Black	<b>WHT</b> White	
<b>BRK</b>	MOUNTING	<b>BRK</b> Bracket		
	ACCESSORIES	<b>NO</b> No Accessories <b>GSV<sup>4</sup></b> Glare Shield Visor	<b>WG<sup>2</sup></b> Wire Guard <b>DF<sup>5</sup></b> Diffuser	<b>GSB<sup>3</sup></b> Glare Shield Baffle

<sup>1</sup> Please factor in change in lumen output with diffuser -20% with WD  
<sup>2</sup> Please factor in change in lumen output of -14%  
<sup>3</sup> Please factor in change in lumen output of -40%  
<sup>4</sup> Please factor in change in lumen output of -25%  
<sup>5</sup> Please factor in change in lumen output of -20% with diffuser

DesignLights Consortium™ Qualified Luminaires:  
 DLC QPL Model Number : BLT-560-50K, BLT-280-CCT-UNV  
 Not all product variations listed on this page are DLC qualified.  
 To ensure that a specific model is qualified, visit  
[www.designlights.org/search](http://www.designlights.org/search).

**TECHNICAL DETAILS**

**Electrical**

- 7,780 lm (60W)
- 11,850 lm (100W)
- 21,330 lm (150W)
- 26,295 lm (200W)
- Power Input: Universal (120-277V)
- Operating Temperature: -40°F~104°F
- Surge Protection: Built-in is 4KV

**LED Features**

- Color Temperature: 3000K, 4000K, 5000K
- CRI 75, CRI 85
- Long lasting LED luminaire tested under TM21 lumen maintenance L70 @ 100,000 Hrs

**Optics**

- Precision molded high transmittance clear PC lens
- Beam Angle: 30°, 60°, WD

**Advanced Dimming**

- Proprietary VX Driver™ is incorporated to all dimming options for video flicker-free lighting
- Standard 1-10V: Dims to 10%

**Housing**

- Diameter:  
60W / 100W: 4.14" x 11" x 9.06"  
150W / 200W: 8.26" x 11.41" x 9.05"
- Material: High Pressure Die-Cast Aluminum, Tempered Glass
- Weight:  
60W / 100W: 9.7 lbs  
150W / 200W: 14.6 lbs

**Mounting**

- Bracket

**Warranty**

- 5-year limited warranty

**Listing**

- ETL Damp Location Listed
- DLC Listed
- UKCA
- FCC
- CE

**PERFORMANCE SUMMARY\***

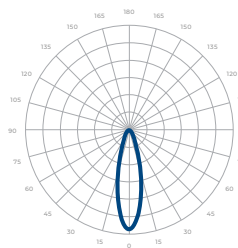
Delivered Lumens			
CCT/WATTAGE	3000K	4000K	5000K
<b>60W</b>	6,930lm	7,170lm	7,780lm
<b>100W</b>	10,535lm	10,990lm	11,850lm
<b>150W</b>	18,355lm	19,125lm	21,330lm
<b>200W</b>	22,950lm	23,990lm	26,295lm

Current Consumption		
WATTAGE / VOLT	120V	277V
<b>60W</b>	0.55A	0.22A
<b>100W</b>	0.92A	0.4A
<b>150W</b>	1.38A	0.6A
<b>200W</b>	1.83A	0.8A

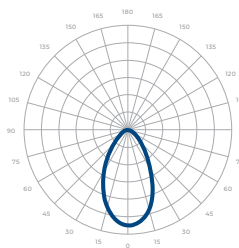
\*Beam Angle: 60° \* Tolerance ±8%

**PHOTOMETRICS**

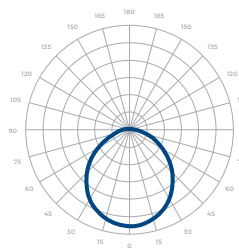
Below is a typical photometric representation of the Bolt Mini fixture. Please download IES files to ensure exact photometric value.



30°



60°

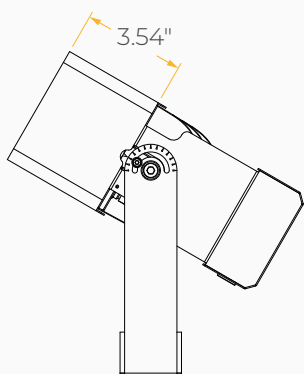


WIDE

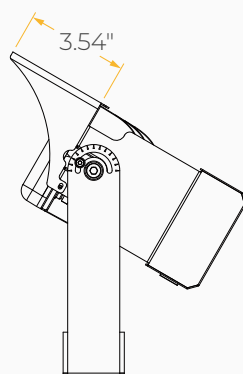
**ACCESSORIES**

60W / 100W

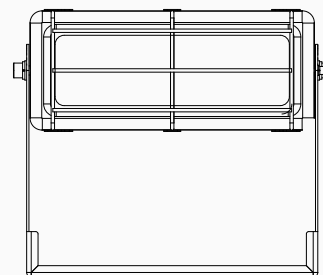
Glare Shield Baffle



Glare Shield Visor

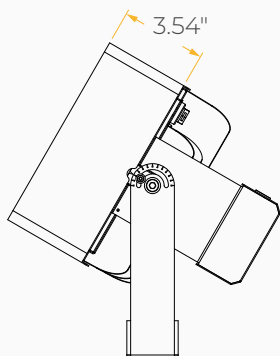


Wire Guard

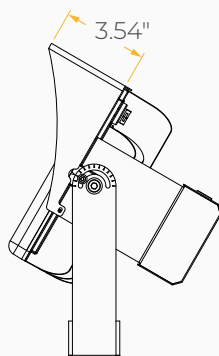


150W / 200W

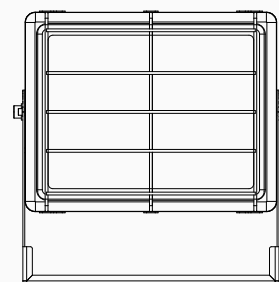
Glare Shield Baffle



Glare Shield Visor

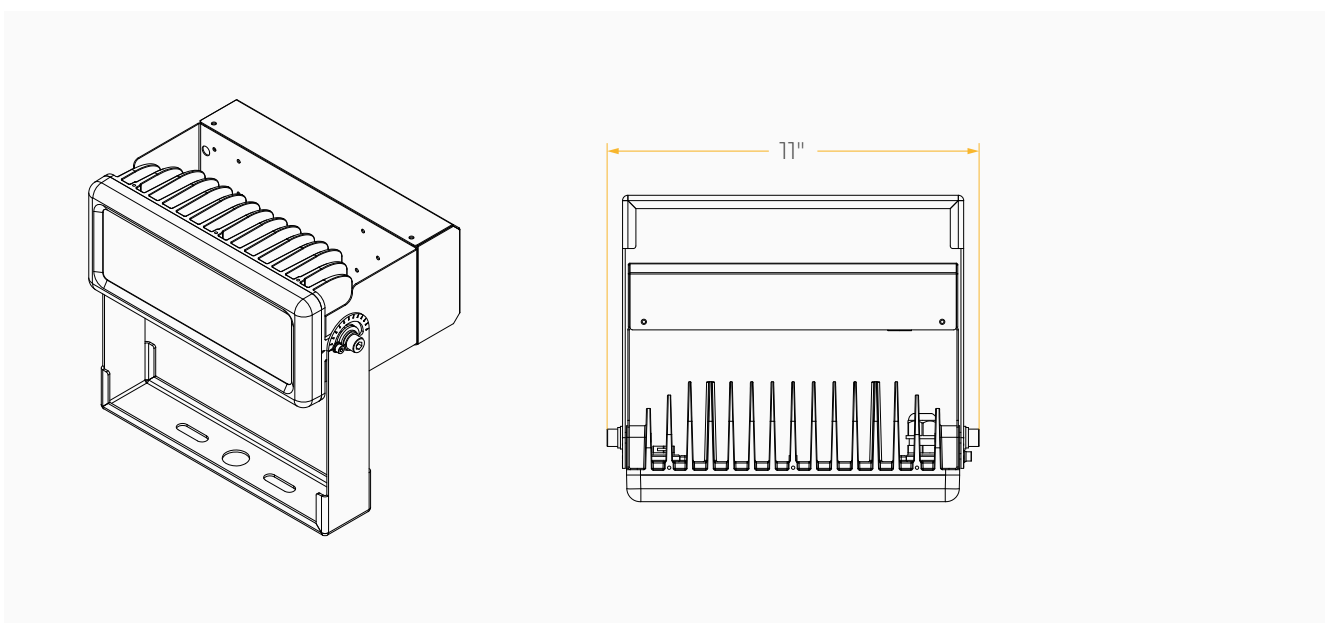
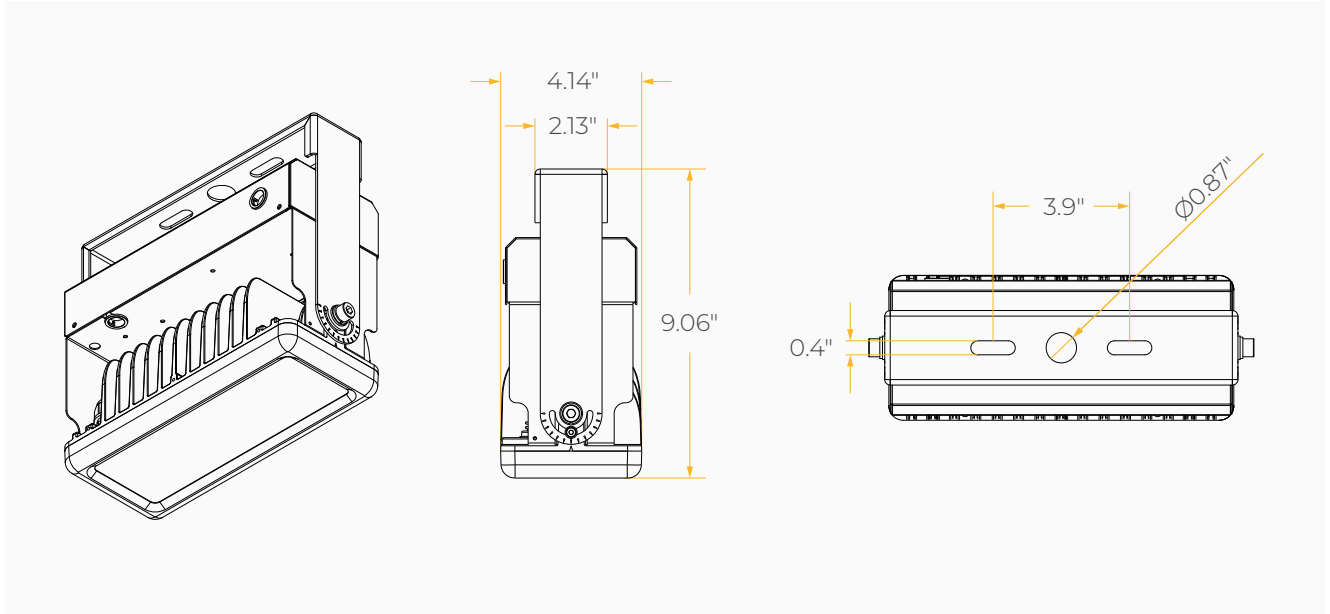


Wire Guard



**DIMENSIONS**

60W / 100W



**DIMENSIONS**

150W / 200W

