

BOLT MINI

SPECIFICATION SHEET
OUTDOOR

HIGH PERFORMING AND COMPACT LUMINAIRE
FOR GREATER HEIGHTS

Housing

Diameter : 4.14" x 11" x 9.06" | Weight : 9.7 lbs

Material

Housing: High Pressure Die-Cast Aluminum

Lens: Tempered Glass

Power Input

60W, 100W, 150W, 200W | 120-277V

Lumen Output

7,780 lm (60W), 11,850 lm (100W), 21,330 lm (150W), 26,295 lm (200W)

Dimming

Standard 1-10V: Dims to 10%

Color Quality

CRI 75, CRI 85

Rated Life

> 100,000 Hours (L70)

Finish



Black



White

Color Temperature



3000K



4000K



5000K

Optics



30°



60°



Wide

Mounting



Bracket

Warranty

5 Year limited warranty

Listing



Not all Bolt Series are DLC qualified.
For all qualified products
Please visit: www.designlights.org/qpl

High Efficacy Led Luminaire For General Illumination And High Ceilings

The all new Bolt Mini. A transformation for greater heights with new technologies, performance and optics. This mini version is compact, yet boasts a lumen package range of 6,930 lm - 26,295 lm, and is available in Outdoor and Natatorium rated options. The Bolt Mini – Outdoor version is perfect for a variety of project applications such as illuminating outdoor facades, natatoriums and for flood lighting.



METEOR

meteor-lighting.com

SPECIFICATION SHEET / OUTDOOR

BOLT MINI HIGH PERFORMING AND COMPACT LUMINAIRE FOR GREATER HEIGHTS



SPECIFICATION

PROJECT NAME

DATE

CATALOG #

QUANTITY

| | | | | |
|-------------|-------------|---|--|--|
| BLTM | MODEL | BOLT MINI SERIES | | |
| | WATTAGE | 60 60W 200 200W | 100 100W | 150 150W |
| | CCT / CRI | 308 3000K / CRI85 | 408 4000K / CRI85 | 507 5000K / CRI75 |
| UNV | VOLTAGE | UNV 120 – 277V | | |
| STV | DIMMING | STV Standard 1-10V dims to 10% | | |
| | BEAM ANGLE | 30 30° | 60 60° | WD¹ Wide |
| | FINISH | BLK Black | WHT White | |
| BRK | MOUNTING | BRK Bracket | | |
| | ACCESSORIES | NO No Accessories GSV⁴ Glare Shield Visor | WG² Wire Guard DF⁵ Diffuser | GSB³ Glare Shield Baffle SLP Slipfitter (Black only) |
| | RATING | OUT⁶ Outdoor Rating | NAT⁷ Natatorium Rating | |

¹ Please factor in change in lumen output with WD -20%

² Please factor in change in lumen output with WG -14%

³ Please factor in change in lumen output with GSB -40%

⁴ Please factor in change in lumen output with GSV -25%

⁵ Please factor in change in lumen output with DF (-20% with WD; -12% with other degrees)

⁶ Outdoor Rating: Coating and wiring will be changed to high UV resistant and corrosion resistant materials for long-term operation in outdoor environments

⁷ Natatorium Rating: Coating and sealant will be changed to high corrosion resistant materials to prevent damage from long-term exposure to chlorine vapors, natatorium specifications are only compatible with WD optics

DesignLights Consortium™ Qualified Luminaires:
 DLC QPL Model Number : BLT-560-50K, BLT-280-CCT-UNV
 Not all product variations listed on this page are DLC qualified.
 To ensure that a specific model is qualified, visit
www.designlights.org/search.

TECHNICAL DETAILS

Electrical

- 7,780 lm (60W)
- 11,850 lm (100W)
- 21,330 lm (150W)
- 26,295 lm (200W)
- Power Input: Universal (120-277V)
- Operating Temperature: -40°F~104°F
- Surge Protection: Built-in is 4KV

LED Features

- Color Temperature: 3000K, 4000K, 5000K
- CRI 75, CRI 85
- Long lasting LED luminaire tested under TM21 lumen maintenance L70 @ 100,000 Hrs

Optics

- Precision molded high transmittance clear PC lens
- Beam Angle: 30°, 60°, Wide

Advanced Dimming

- Proprietary VX Driver™ is incorporated to all dimming options for video flicker-free lighting
- Standard 1-10V: Dims to 10%

EPA

- 60W/100W: 0.692 ft²
- 150W/200W: 0.719 ft²
- 60W/100W (Glare Shield Visor): 0.96 ft²
- 150W/200W (Glare Shield Visor): 0.999 ft²

Housing

- Diameter:
60W / 100W: 4.14" x 11" x 9.06"
150W / 200W: 8.26" x 11.41" x 9.05"
- Material: High Pressure Die-Cast Aluminum, Tempered Glass
- Weight:
60W / 100W: 9.7 lbs
150W / 200W: 14.6 lbs

Mounting

- Bracket

Warranty

- 5-year limited warranty

Listing

- ETL Damp Location Listed
- DLC Listed
- FCC
- CE
- IP 65

PERFORMANCE SUMMARY*

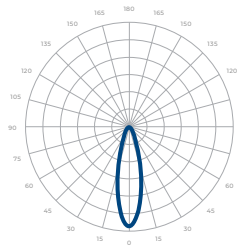
| Delivered Lumens | | | |
|------------------|----------|----------|----------|
| CCT/WATTAGE | 3000K | 4000K | 5000K |
| 60W | 6,930lm | 7,170lm | 7,780lm |
| 100W | 10,535lm | 10,990lm | 11,850lm |
| 150W | 18,355lm | 19,125lm | 21,330lm |
| 200W | 22,950lm | 23,990lm | 26,295lm |

| Current Consumption | | |
|---------------------|-------|-------|
| WATTAGE / VOLT | 120V | 277V |
| 60W | 0.55A | 0.22A |
| 100W | 0.92A | 0.4A |
| 150W | 1.38A | 0.6A |
| 200W | 1.83A | 0.8A |

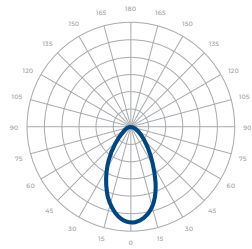
*Beam Angle: 60° *Tolerance ±8%

PHOTOMETRICS

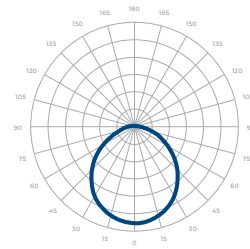
Below is a typical photometric representation of the Bolt Mini fixture. Please download IES files to ensure exact photometric value.



30°



60°

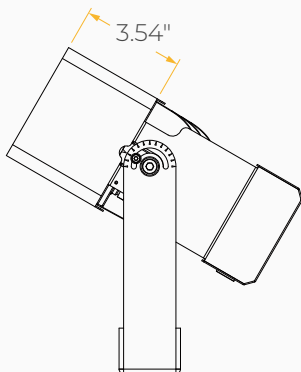


WIDE

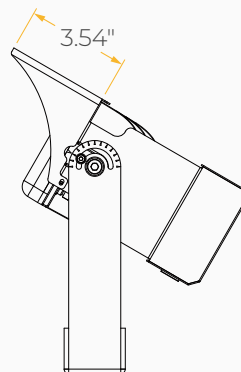
ACCESSORIES

60W / 100W

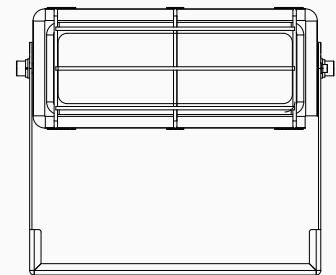
Glare Shield Baffle



Glare Shield Visor

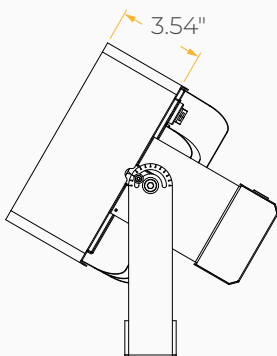


Wire Guard

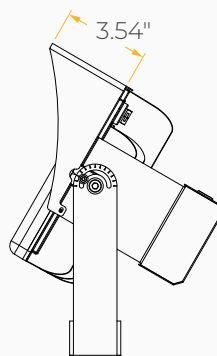


150W / 200W

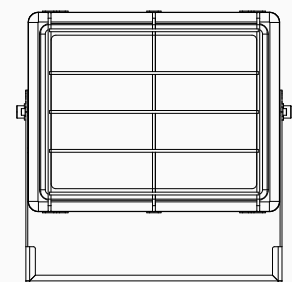
Glare Shield Baffle



Glare Shield Visor



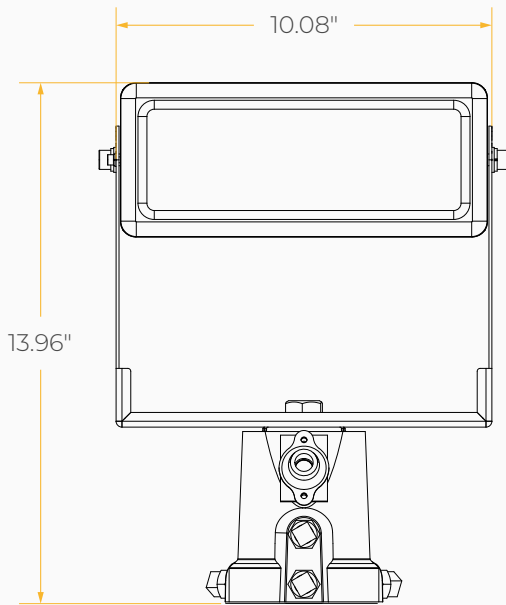
Wire Guard



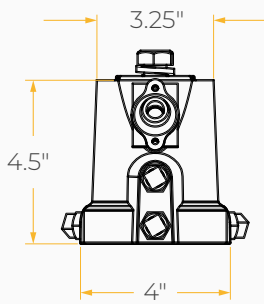
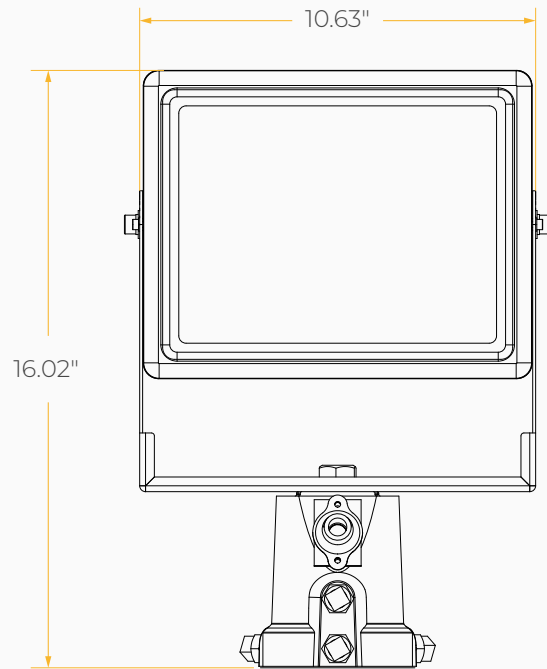
ACCESSORIES

Slipfitter

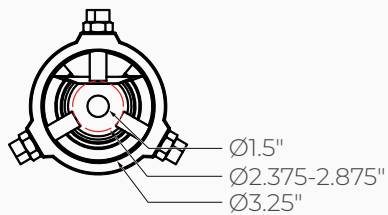
60W / 100W



150W / 200W

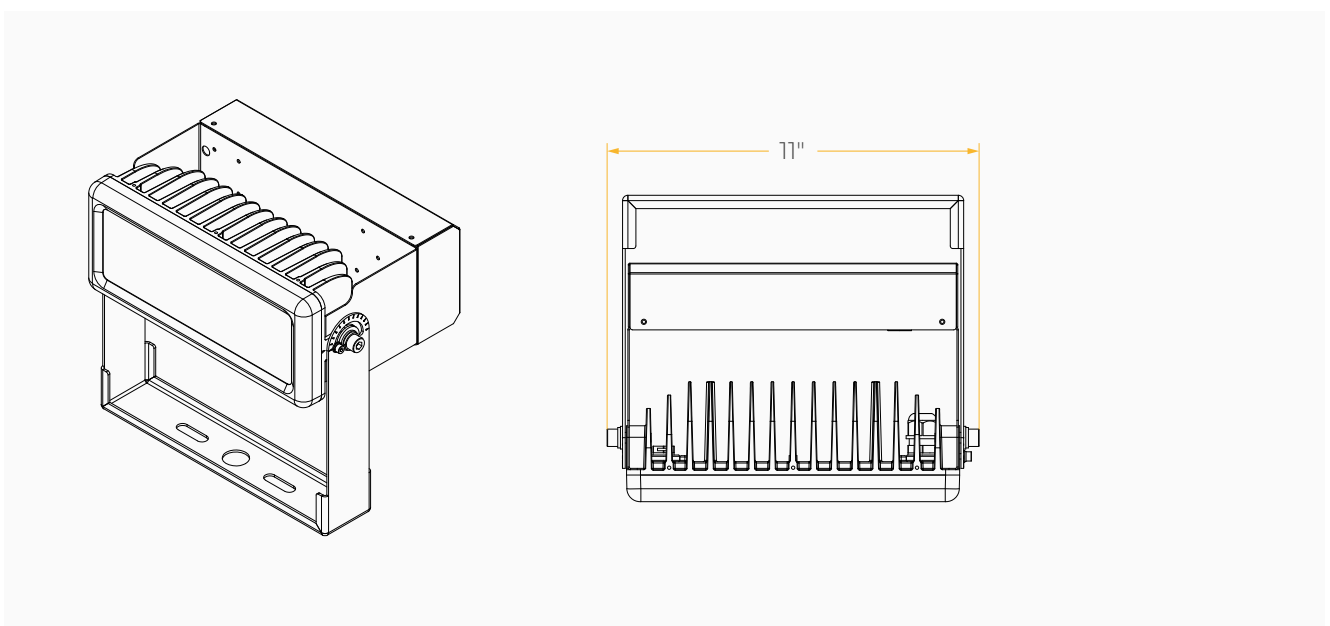
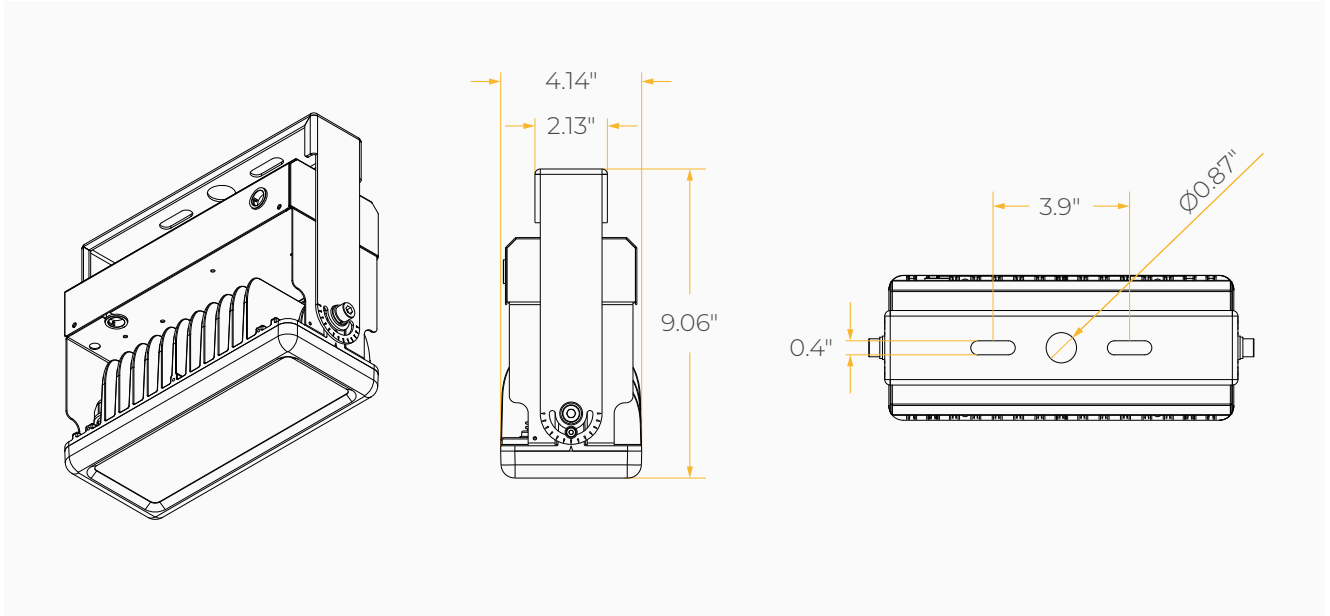


Tenon slipfitter fits 2.375" to 2.875" OD tenon.



DIMENSIONS

60W / 100W



DIMENSIONS

150W / 200W

