

ATRIA 10

SPECIFICATION SHEET
W+RGB

POWERFUL COLOR CHANGING CYLINDER

Housing

Diameter : Ø9.4" | Height : 20.5" | Weight : 30 lbs

Material

Housing: High Pressure Die-Cast Aluminum

Optics: Metal Reflector

Power Input

100W | 120V-277V

200W / TypeA (White=100W, RGB=100W) | 120V-277V

200W / TypeB (White=150W, RGB=50W) | 120V-277V

Lumen Output

6,145 lm (100W)

13,255 lm (200W / TypeA)

14,145 lm (200W / TypeB)

Dimming

DMX : High resolution dims to 0.1% (Supports ANSI E1.20 RDM protocol)

Color Quality

CRI 85

Rated Life

> 60,000 Hours (L70)

Finish



Black



White

Color Temperature



3000K



ColorFlip™ W+RGB

Optics



45°



55°



Wide

Mounting



Stem
Mount



Adjustable
Cable

Warranty

5 Year limited warranty

Listing



Masterfully engineered and aesthetically refined.

The Atria 10 cylinder is compatible with our ColorFlip™ W+RGB technology that offers 50% true independent white light and 50% RGB. This unique color mixing solution is perfect for multifunctional spaces, convention centers, and high ceiling churches.



SPECIFICATION

PROJECT NAME

DATE

CATALOG #

QUANTITY

| | | | | |
|-----------------------------------|-------------|---|---|---|
| <input type="text" value="AS10"/> | MODEL | ATRIA 10 W+RGB | | |
| <input type="text"/> | WATTAGE | 100 100W | 200A 100W/100W (White=100W, RGB=100W) | 200B 150W/50W (White=150W, RGB=50W) |
| <input type="text" value="308C"/> | CCT / CRI | 308C 3000K / CRI 85+RGB | | |
| <input type="text" value="UNV"/> | VOLTAGE | UNV 120 – 277V | | |
| <input type="text"/> | DIMMING | DMX DMX dims to 0.1% (XLR Sockets) | DMX(RJ45) DMX dims to 0.1% (RJ45 Sockets) | |
| <input type="text"/> | BEAM ANGLE | 45 45° | 55 55° | WD¹ Wide |
| <input type="text"/> | FINISH | BLK Black | WHT White | |
| <input type="text"/> | MOUNTING | ST2 Stem 2ft SAD10 Sloped Adjustable Cable 10ft | ST4 Stem 4ft | AD10 Adjustable Cable 10ft |
| <input type="text"/> | ACCESSORIES | NO No Accessories CT⁴ Conduit Mount | SPD² Surge Protector | HC³ Honeycomb Louver |

¹ Please factor in change in lumen output with diffuser(-20% with WD; -12% with other degrees)

² Surge protector for up to 10KV. Applicable for unstable mains or facilities using high power machineries

³ Please factor in change in lumen output of 30%

⁴ CT only compatible with ST and AD mounting types

TECHNICAL DETAILS

Electrical

- 6,145 lm (100W)
- 13,255 lm (200W / TypeA)
- 14,145 lm (200W / TypeB)
- Power Input: Universal (120-277V)
- Operating Temperature: -13°F~112°F
- Surge Protection: Built-in is 4KV
- Power Factor Greater than 0.9

LED Features

- Color Temperature: 3000K+RGB
- CRI 85
- Long lasting LED luminaire tested under TM21 lumen maintenance L70 @ 100,000 Hrs
- Lumen Maintenance > 0.90 at 60,000 hours

Optics

- Precision molded high transmittance clear PC lens
- Beam Angle: 45°, 55°, WD

Advanced Dimming

- Proprietary VX Driver™ is incorporated to all dimming options for video flicker-free lighting
- DMX: High resolution dims to 0.1% (Supports ANSI E1.20 RDM protocol)

Housing

- Diameter: Ø9.4"
- Height: 20.5"
- Material: High Pressure Die-Cast Aluminum, Metal Reflector
- Weight: 30 lbs

Mounting

- Stem 2ft or 4ft; 45° Swivel Canopy Included
- Adjustable Cable 10ft
- Sloped Adjustable Cable 10ft

Warranty

- 5-year limited warranty

Listing

- ETL Wet Location Listed
- CE
- UKCA
- FCC

PERFORMANCE SUMMARY*

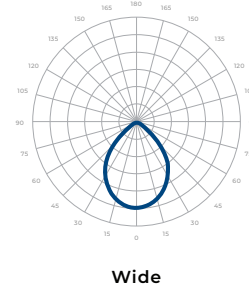
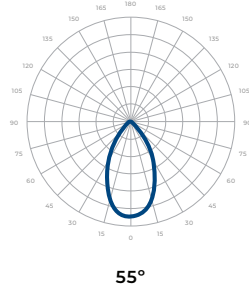
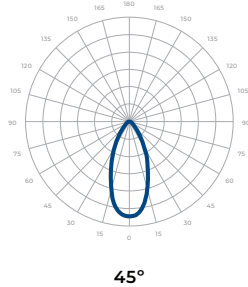
| Delivered Lumens | | | | |
|------------------|-------|---------|-------|----------|
| CCT/WATTAGE | R | G | B | W |
| 100W | 17W | 17W | 17W | 50W |
| | 220lm | 1,700lm | 210lm | 4,015lm |
| 200W / TypeA | 33W | 33W | 33W | 100W |
| | 615lm | 4,075lm | 485lm | 8,080lm |
| 200W / TypeB | 17W | 17W | 17W | 150W |
| | 220lm | 1,700lm | 210lm | 12,015lm |

| Current Consumption | | |
|---------------------|------|-------|
| WATTAGE / VOLT | 120V | 277V |
| 100W | 0.9A | 0.45A |
| 200W | 1.8A | 0.9A |

*Beam Angle: 45° *Tolerance ±8%

PHOTOMETRICS

Below is a typical photometric representation of the Atria 10 fixture. Please download IES files to ensure exact photometric value.



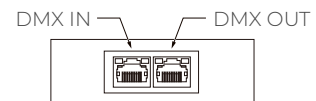
DMX REQUIREMENTS

The Atria 10 W+RGB fixture with DMX is a **four channel dmx** unit. When placing an order, please indicate DMX address. (The DMX address will be listed on the back of the fixture). Do not connect more than 32 fixtures per DMX daisy chain.

| Fixture | DMX Address | | | |
|---------|---------------------|-------------------------|------------------------|-------------------------|
| | Red Control (ex. X) | Green Control (ex. X+1) | Blue Control (ex. X+2) | White Control (ex. X+3) |
| #1 | 1 | 2 | 3 | 4 |
| #2 | 5 | 6 | 7 | 8 |
| #3 | 9 | 10 | 11 | 12 |

The fixture can be connected with RJ45 or XLR sockets. DMX cables **are not** included; please refer to compatible DMX cabling list for more information. The final fixture on each daisy chain should be terminated by the use of a DMX terminator purchased from a 3rd party or from Meteor.

| CONNECTION | RJ45 (CAT5e) | 5-PIN XLR |
|------------|-----------------------------------|-----------|
| Common | WHITE/BROWN(PIN7) & BROWN (PIN 8) | PIN 1 |
| Signal - | ORANGE (PIN 2) | PIN 2 |
| Signal + | WHITE/ORANGE (PIN 1) | PIN 3 |
| Spare | - | PIN 4 |
| Spare | - | PIN 5 |



RJ45 Sockets



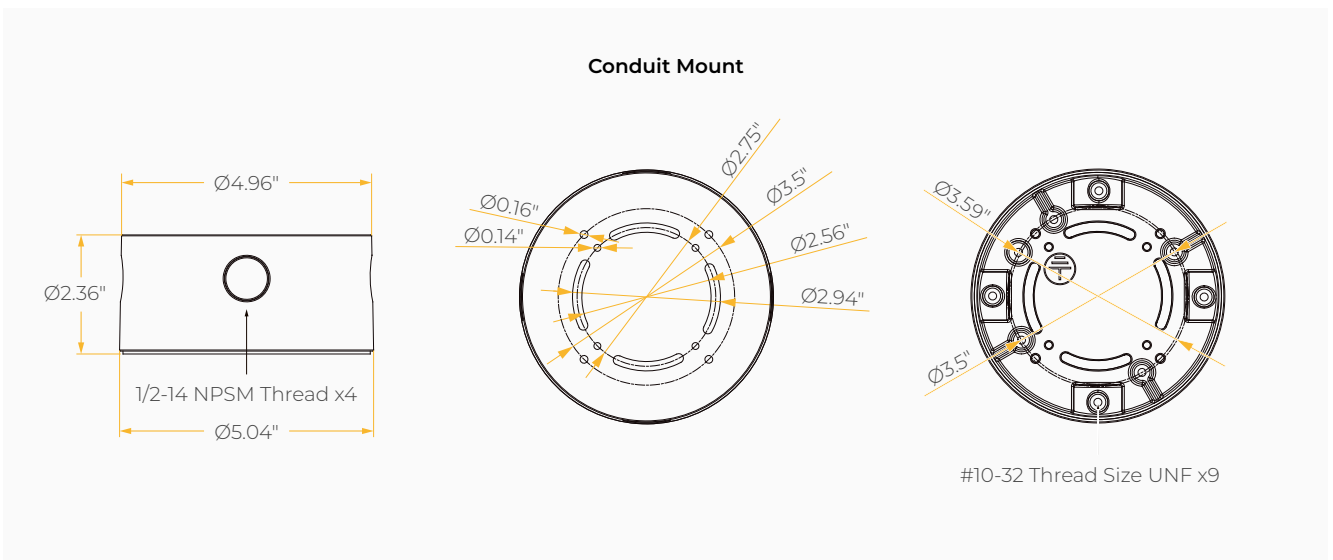
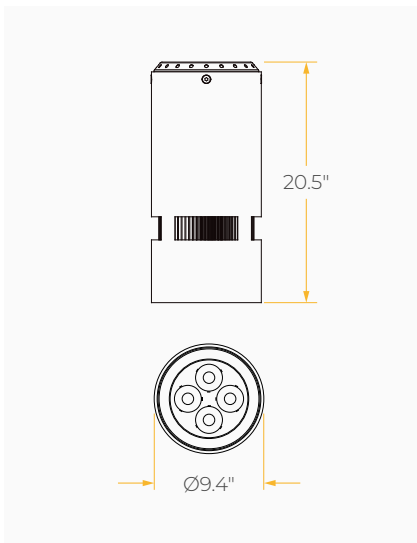
XLR Sockets

COMPATIBLE DMX CABLING LIST

DMX uses a cable consisting of two twisted pairs plus a shield to carry data. The cable must be specifically impedance matched for the digital DMX signal, meaning that microphone cable or other non-rated cable **must not be used to carry DMX**. Network cable (Cat5, 5e or 6 cable) may be used to carry DMX in an installation; however special consideration must be given to shielding and termination. Under no circumstances should solid core cable like Cat5 be terminated into a screw down connector.

Meteor recommends the use of Belden 9729 or Belden 9841 for DMX installation. Belden 9729/9841 is a shielded twisted pair cable, which allows for a spare pair for 'out and back' type terminations if needed.

DIMENSIONS



MOUNTING OPTIONS*

*Junction box not included

