

# ATRIA 10

SPECIFICATION SHEET  
OUTDOOR / NATATORIUM

POWERFUL HIGH CEILING CYLINDER  
WITH 25,000 LUMEN PACKAGE

## Housing

Diameter : Ø9.4" | Height : 20.5" | Weight : 30 lbs

## Material

Housing: High Pressure Die-Cast Aluminum

Optics: Metal Reflector

## Power Input

80W, 110W, 140W, 180W, 220W | 120-277V

## Lumen Output

9,720 lm (80W), 12,635 lm (110W), 16,450 lm (140W),

21,205 lm (180W), 24,870 lm (220W)

## Dimming

Standard 0-10V: Dims to 10%

## Color Quality

CRI 85, CRI 93

## Rated Life

> 60,000 Hours (L70)

## Finish



Black



White

## Color Temperature



2700K



3000K



3500K



4000K

## Optics



30°



45°



55°



Wide

## Mounting



Stem  
Mount



Adjustable  
Cable

## Warranty

5 Year limited warranty

## Listing



Not all Atria 10 are DLC qualified.  
For all qualified products  
Please visit: [www.designlights.org/qpl](http://www.designlights.org/qpl)

Masterfully engineered and  
aesthetically refined.

The Atria 10 cylinder boasts one of the highest delivered lumens packages in the market, in the market with up to 24,870 delivered lumens. The cylinder is compatible with our ColorFlip™ color-changing technologies, as well as being wet location rated. Specified in convention centers, performance venues, and high ceiling spaces that need a quiet design but a lot of light.



METEOR

[meteor-lighting.com](http://meteor-lighting.com)

SPECIFICATION SHEET / OUTDOOR & NATATORIUM

**ATRIA 10** POWERFUL HIGH CEILING CYLINDER WITH 25,000 LUMEN PACKAGE



**SPECIFICATION**

PROJECT NAME	<input type="text"/>	DATE	<input type="text"/>
CATALOG #	<input type="text"/>	QUANTITY	<input type="text"/>

<b>AS10</b>	MODEL	<b>ATRIA 10</b>		
	WATTAGE	<b>80</b> 80W <b>180</b> 180W	<b>110</b> 110W <b>220</b> 220W	<b>140</b> 140W
	CCT / CRI	<b>278</b> 3000K / CRI 85 <b>309</b> 3000K / CRI 93 <b>408</b> 4000K / CRI 85	<b>279</b> 2700K / CRI 93 <b>358</b> 3500K / CRI 85	<b>308</b> 3000K / CRI 85 <b>359</b> 3500K / CRI 93
<b>UNV</b>	VOLTAGE	<b>UNV</b> 120 – 277V		
<b>STV</b>	DIMMING	<b>STV</b> Standard 0-10V dims to 10%		
	BEAM ANGLE	<b>30</b> 30° <b>WD<sup>1</sup></b> Wide	<b>45</b> 45°	<b>55</b> 55°
	FINISH	<b>BLK</b> Black	<b>WHT</b> White	
	MOUNTING	<b>ST2</b> Stem 2ft <b>SAD10</b> Sloped Adjustable Cable 10ft	<b>ST4</b> Stem 4ft	<b>AD10</b> Adjustable Cable 10ft
	ACCESSORIES	<b>NO</b> No Accessories	<b>SPD<sup>2</sup></b> Surge Protector	<b>HC<sup>3</sup></b> Honeycomb Louver
	RATING	<b>OUT<sup>4</sup></b> Outdoor Rating	<b>NAT<sup>5</sup></b> Natatorium Rating	

<sup>1</sup> Please factor in change in lumen output with diffuser (-20% with WD; -12% with other degrees)  
<sup>2</sup> Surge protector for up to 10KV. Applicable for unstable mains or facilities using high power machineries  
<sup>3</sup> Please factor in change in lumen output of 30%. outdoor environments  
<sup>4</sup> Coating and wiring will be changed to high UV resistant and corrosion resistant materials for long term operation in outdoor environments  
<sup>5</sup> Coating and sealant will be changed to high corrosion resistant materials to prevent damage from long term exposure to chlorine vapors

**DesignLights Consortium™ Qualified Luminaires:**  
 DLC QPL Model Number: AS10-220-408  
 Not all product variations listed on this page are DLC qualified.  
 To ensure that a specific model is qualified, visit [www.designlights.org/search](http://www.designlights.org/search).

**TECHNICAL DETAILS**

**Electrical**

- 9,720 lm (80W)
- 12,635 lm (110W)
- 16,450 lm (140W)
- 21,205 lm (180W)
- 24,870 lm (220W)
- Power Input: Universal (120-277V)
- Operating Temperature: -13°F~112°F
- Surge Protection: Built-in is 4KV

**LED Features**

- Color Temperature: 2700K, 3000K, 3500K, 4000K
- CRI 85, CRI 93
- Long lasting LED luminaire tested under TM21 lumen maintenance L70 @ 100,000 Hrs
- Lumen Maintenance > 0.90 at 60,000 hours

**Optics**

- Precision molded high transmittance clear PC lens
- Beam Angle : 30°, 45°, 55°, WD

**Advanced Dimming**

- Proprietary VX Driver™ is incorporated to all dimming options for video flicker-free lighting
- Standard 0-10V : Dims to 10%

**Housing**

- Diameter: Ø9.4"
- Height: 20.5"
- Material: High Pressure Die-Cast Aluminum, Metal Reflector
- Weight: 30 lbs

**Mounting**

- Stem 2ft or 4ft; 45° Swivel Canopy Included
- Adjustable Cable 10ft
- Sloped Adjustable Cable 10ft

**Warranty**

- 5-year limited warranty

**Listing**

- ETL Wet Location Listed
- CE
- UKCA
- FCC
- DLC Listed
- IP 65

**PERFORMANCE SUMMARY\***

Delivered Lumens				
CCT/WATTAGE	2700K	3000K	3500K	4000K
<b>80W</b>	8,455lm	9,040lm	9,380lm	9,720lm
<b>110W</b>	10,990lm	11,750lm	12,190lm	12,635lm
<b>140W</b>	14,310lm	15,310lm	15,880lm	16,450lm
<b>180W</b>	18,970lm	20,090lm	20,645lm	21,205lm
<b>220W</b>	22,250lm	23,560lm	24,210lm	24,870lm

Current Consumption		
WATTAGE / VOLT	120V	277V
<b>80W</b>	0.73A	0.32A
<b>110W</b>	1.01A	0.44A
<b>140W</b>	1.28A	0.56A
<b>180W</b>	1.65A	0.71A
<b>220W</b>	2.02A	0.87A

\*CRI 85 / Beam Angle: 30° \*Tolerance ±8%

# PHOTOMETRICS

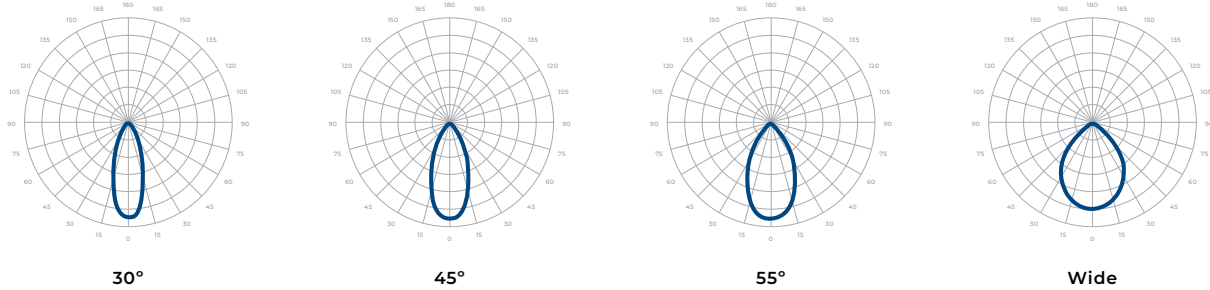
## SPECIFICATION SHEET / OUTDOOR & NATATORIUM

**ATRIA 10** POWERFUL HIGH CEILING CYLINDER WITH 25,000 LUMEN PACKAGE

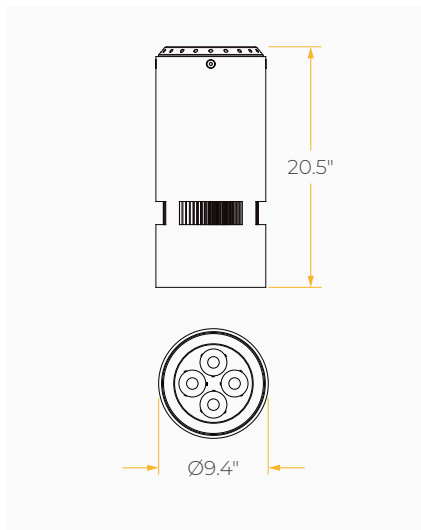


# PHOTOMETRICS

Below is a typical photometric representation of the Atria 10 fixture. Please download IES files to ensure exact photometric value.



# DIMENSIONS



# MOUNTING OPTIONS\*

\*Junction box not included

