

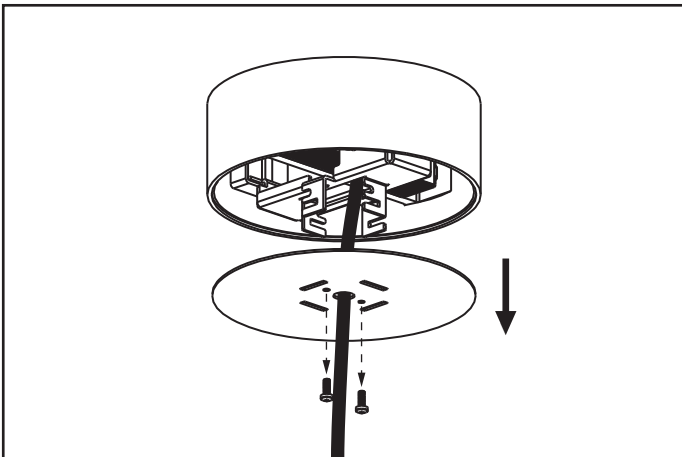
# ADVANCED HIGH CEILING Orion 4 - Surface Mount



## IMPORTANT SAFETY INFORMATION. READ AND FOLLOW ALL SAFETY INSTRUCTIONS

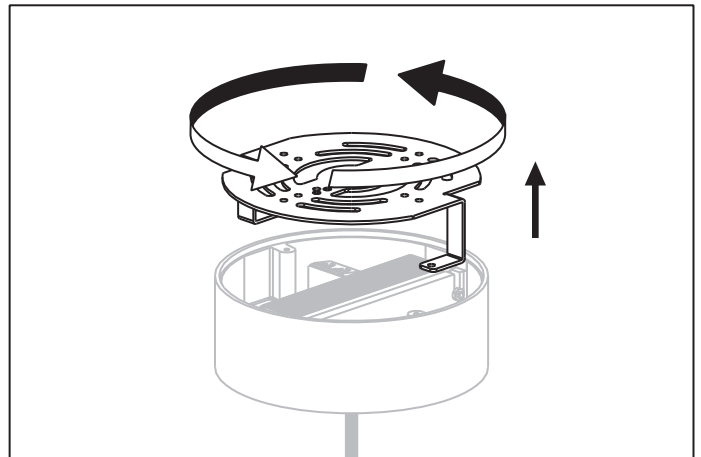
IMPORTANT SAFETY INFORMATION. READ AND FOLLOW ALL SAFETY INSTRUCTIONS. Before wiring to power supply and during servicing or relamping, turn off power at fuse or circuit breaker. All servicing or relamping must be performed by qualified service personnel. Product must be grounded to avoid potential electric shock or other potential hazard. Product must be at locations and at heights and in a manner consistent with its intended use, and in compliance with Electrical Code and local codes.

SAVE THESE INSTRUCTIONS FOR FUTURE REFERENCE.



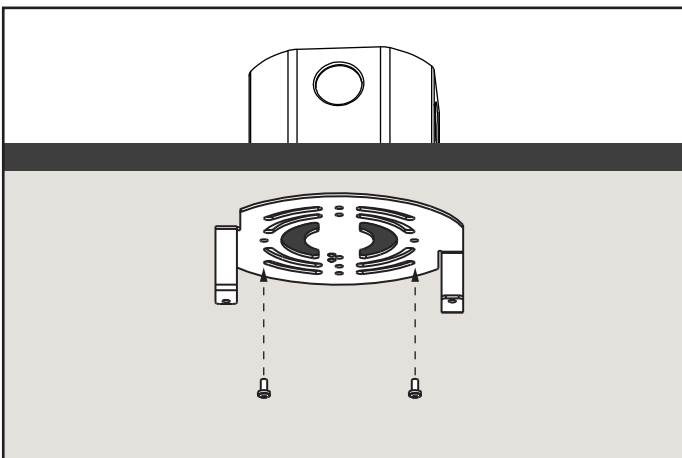
### Step 1

Unscrew the 2 Phillips screws holding the surface mount plate and the canopy and pull down.



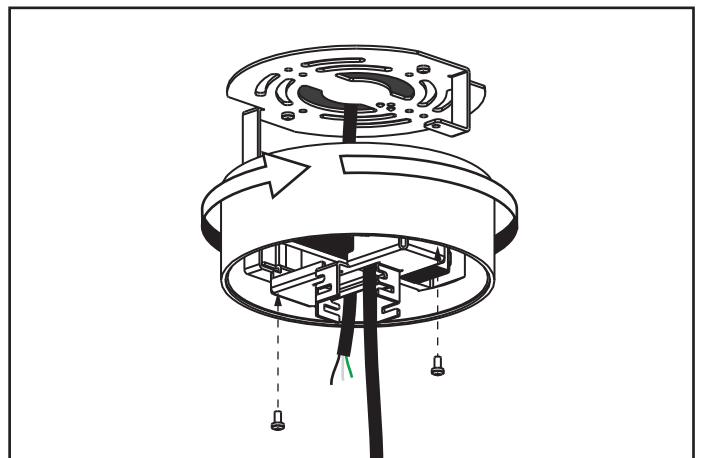
### Step 2

Turn the crossbar clockwise and remove.



### Step 3

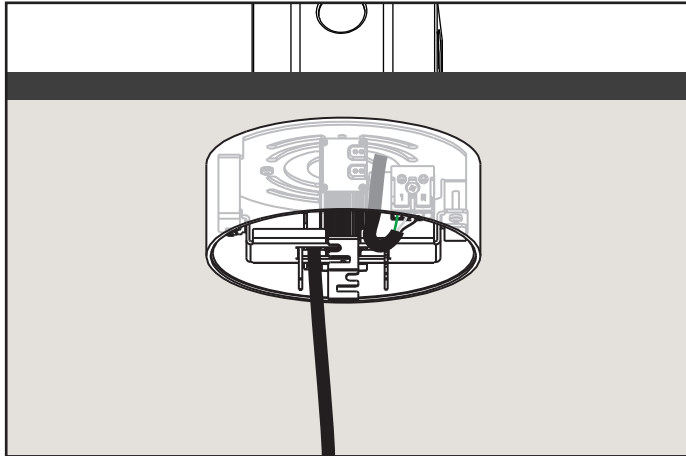
Screw the crossbar to the desired place on the ceiling and screw in place.



### Step 4

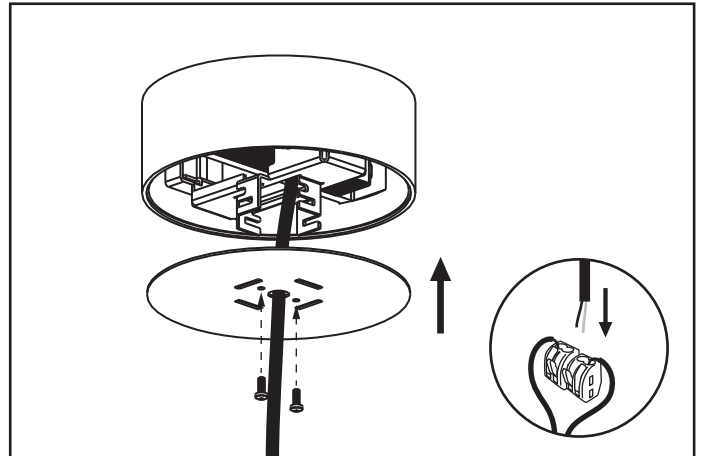
Align the canopy to the crossbar and turn clockwise to lock it in place and screw in place.

# ADVANCED HIGH CEILING Orion 4 - Surface Mount



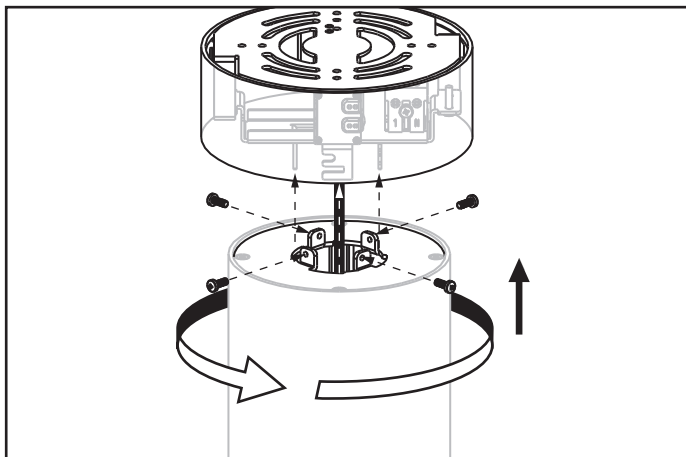
## Step 5

Connect the wires according to the WIRING DIAGRAM.



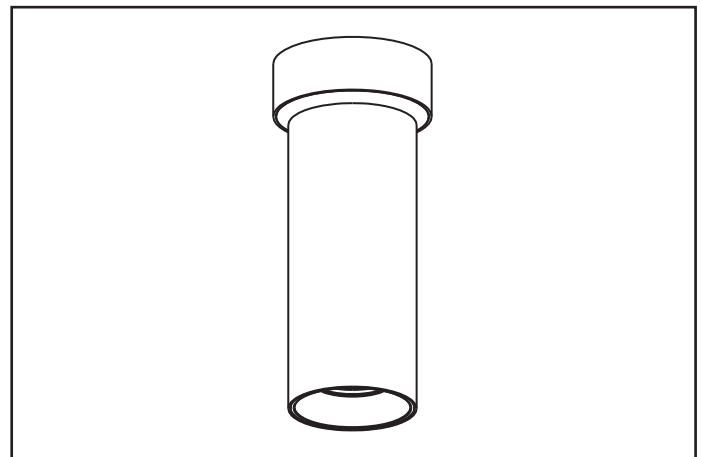
## Step 6

Bring up the canopy to the surface mount plate and screw in the screws set aside in step 2. Connect the DC wire between the fixture and canopy.



## Step 7

Align and twist clockwise to lock the fixture in place. Screwing four sides to secure.



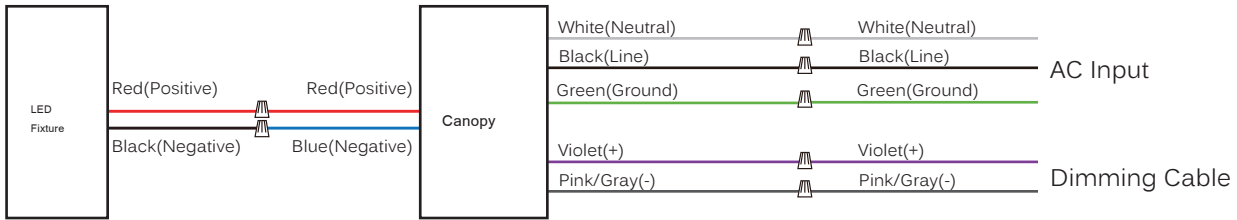
## Step 8

Fixture Installation complete.

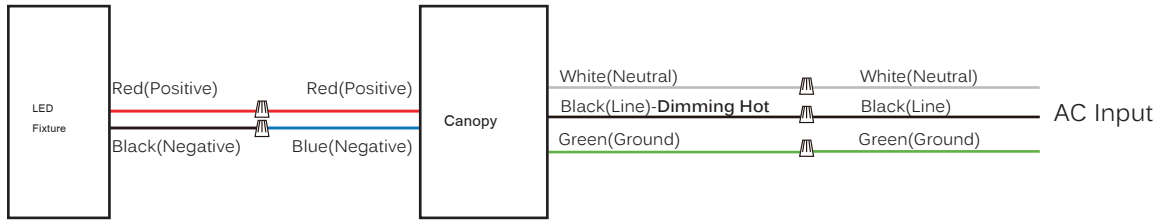
# ADVANCED HIGH CEILING Orion 4 - Surface Mount

## Wiring Diagram

### 0-10V



### TRIAC



### Non-Dimming

