

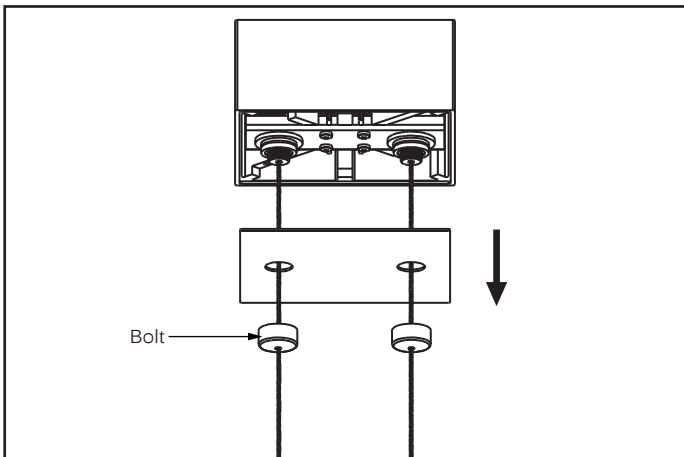
ADVANCED HIGH CEILING Edge 4 - Power Line Mount



IMPORTANT SAFETY INFORMATION. READ AND FOLLOW ALL SAFETY INSTRUCTIONS

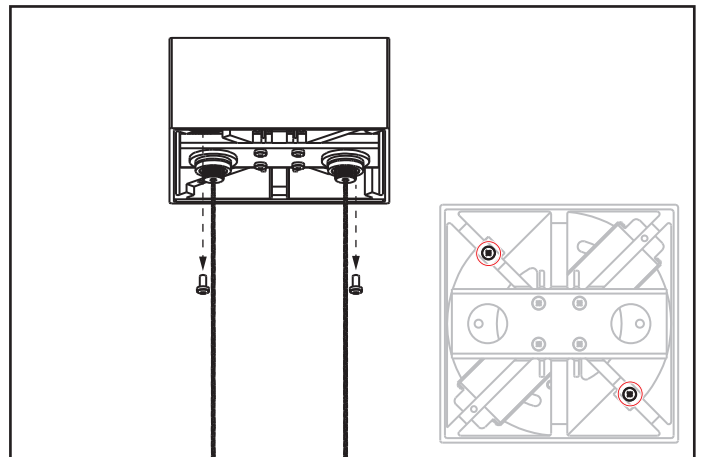
IMPORTANT SAFETY INFORMATION. READ AND FOLLOW ALL SAFETY INSTRUCTIONS. Before wiring to power supply and during servicing or relamping, turn off power at fuse or circuit breaker. All servicing or relamping must be performed by qualified service personnel. Product must be grounded to avoid potential electric shock or other potential hazard. Product must be at locations and at heights and in a manner consistent with its intended use, and in compliance with Electrical Code and local codes.

SAVE THESE INSTRUCTIONS FOR FUTURE REFERENCE.



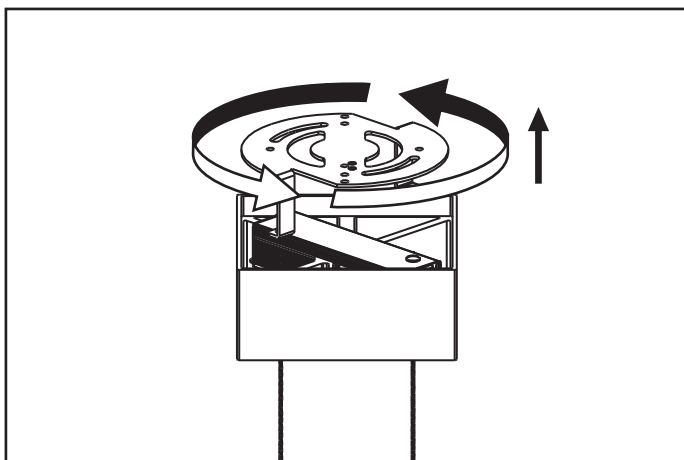
Step 1

Unscrew the 2 Bolts holding the Canopy Plate.



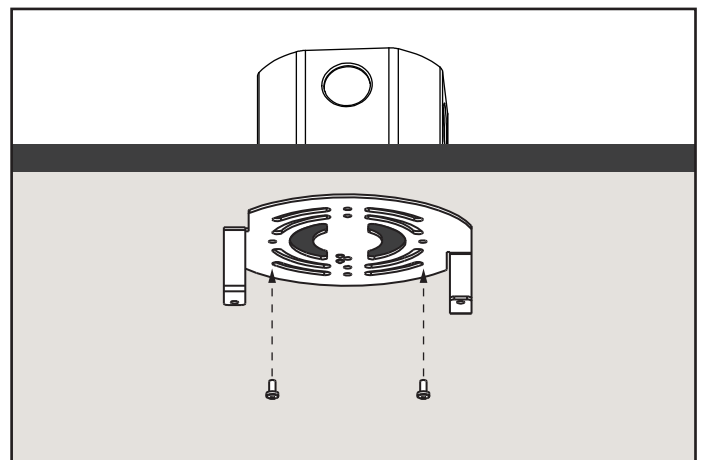
Step 2

Unscrew the Phillips screws as indicated to remove the crossbar.



Step 3

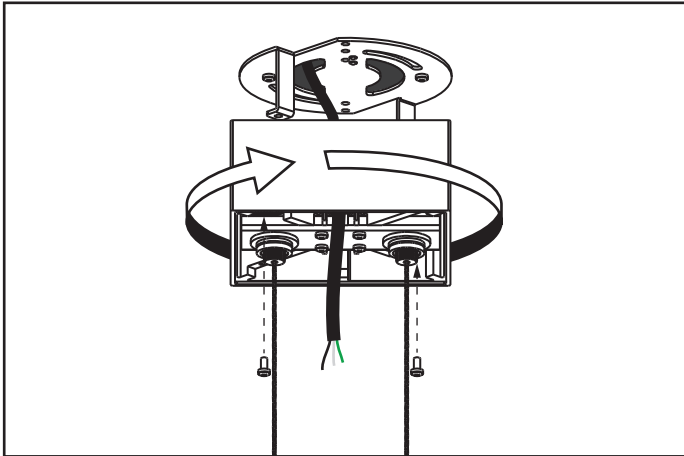
Twist the crossbar-anti clockwise to release it and set aside.



Step 4

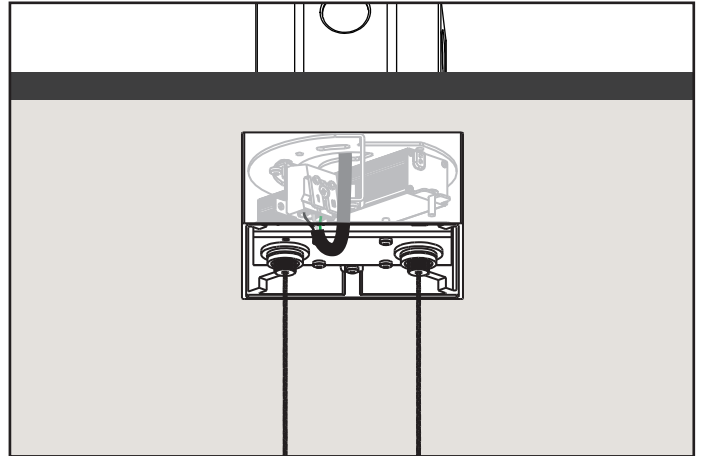
Screw in the crossbar to the desired location on the ceiling.

ADVANCED HIGH CEILING Edge 4 - Power Line Mount



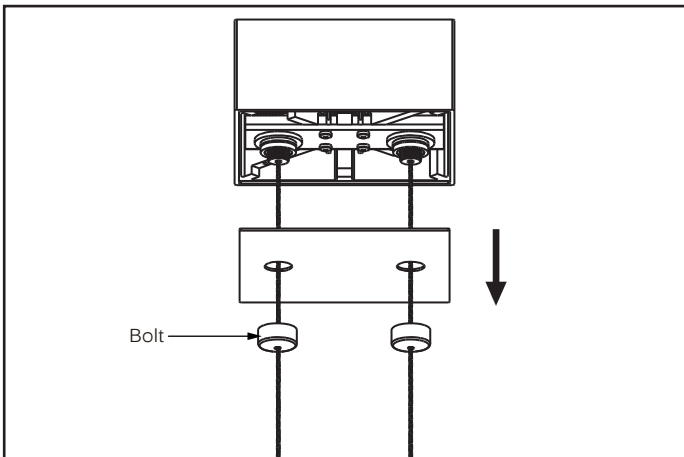
Step 5

Rotate the Canopy housing clockwise on the cross bar to lock it in place and screw in the Phillips screws removed in Step 2.



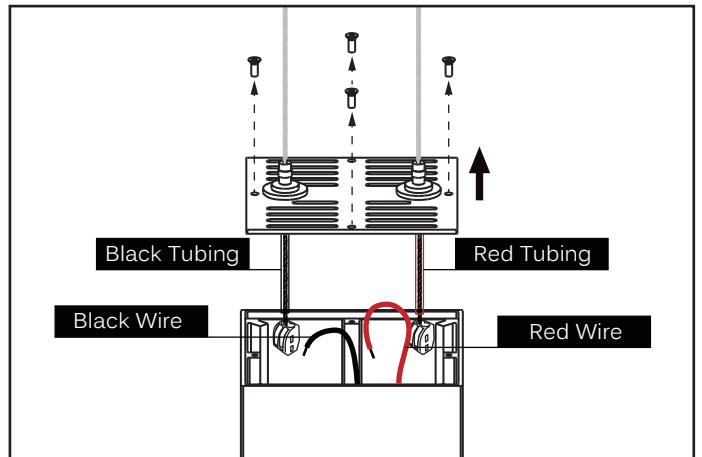
Step 6

Connect the wires according to the WIRING DIAGRAM.



Step 7

Push up the canopy plate and fasten using the 2 bolts removed in Step 1.



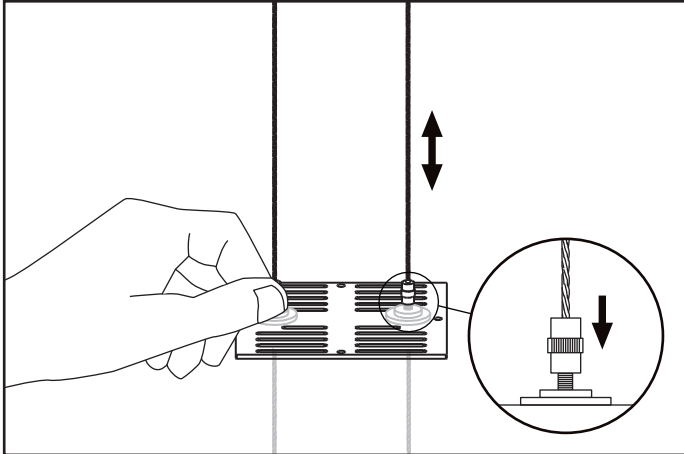
Step 8

Unscrew the plate on top of the fixture by removing the Phillips screws.

Step 9

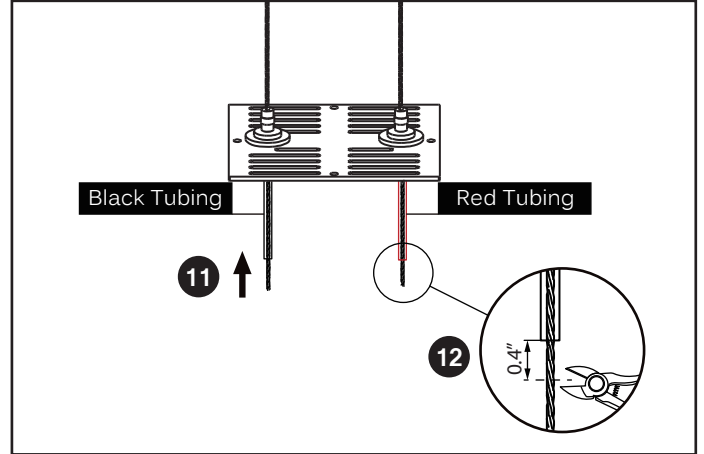
Disconnect the insulated Black and Red wires from the WAGO Connector. Making sure to set aside all components.

ADVANCED HIGH CEILING Edge 4 - Power Line Mount



Step 10

To adjust the cable gripper, simply turn it clockwise by 2 – 3 rotations. Then push down to unclamp the wire. Note: Adjusting the height without attaching the fixture is less strenuous.

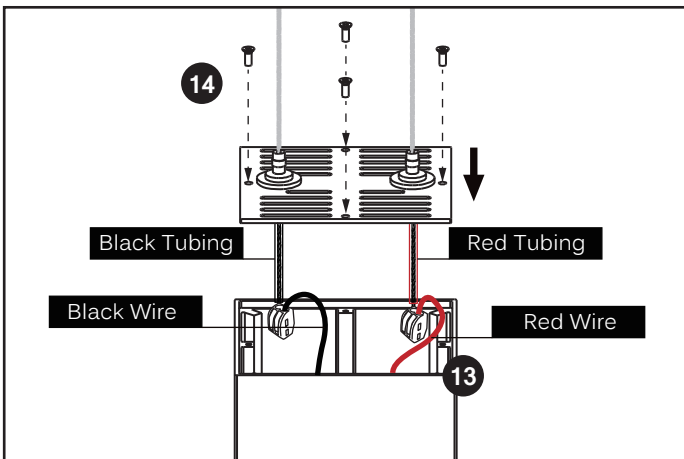


Step 11

Once adjusted to the right height, you might have some unnecessary cable length. Slip the Black Insulation tubing on the negative side wire and the Red insulation tubing on the other wire, ensuring end to end coverage.

Step 12

Then leave a 0.5-inch gap before cutting the extra wires. It is important to cut unnecessary wire length to prevent contact and short circuiting.

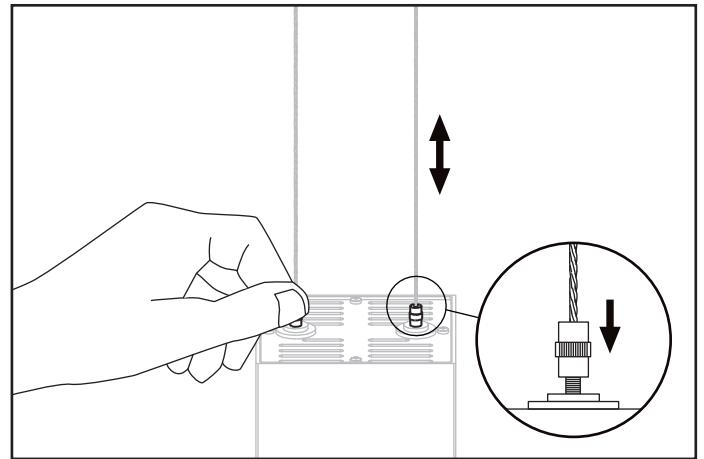


Step 13

Bring up the fixture and connect the black wire to the black tubing and the Red wire to the Red tubing.

Step 14

Screw back the Phillips screws on the ring plate.

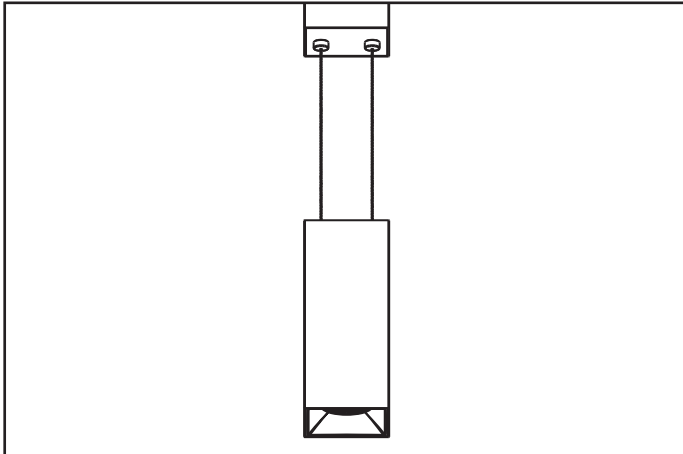


Step 15

To adjust the cable gripper, simply turn it clockwise by 2 – 3 rotations. Then push down to unclamp the wire.

Note: You can also simply push the wire down to raise the fixture or push down the gripper to lower the fixture.

ADVANCED HIGH CEILING Edge 4 - Power Line Mount



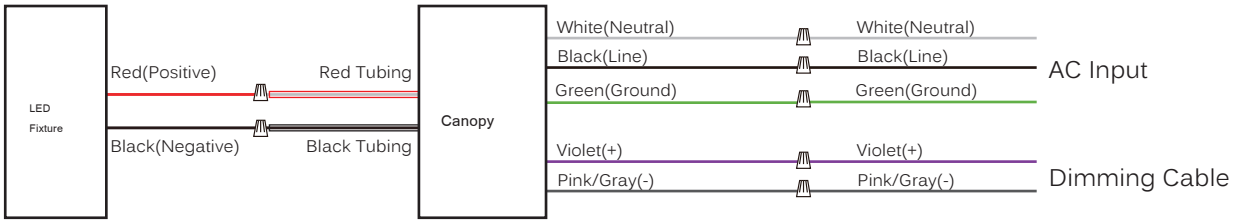
Step 16

Fixture Installation complete.

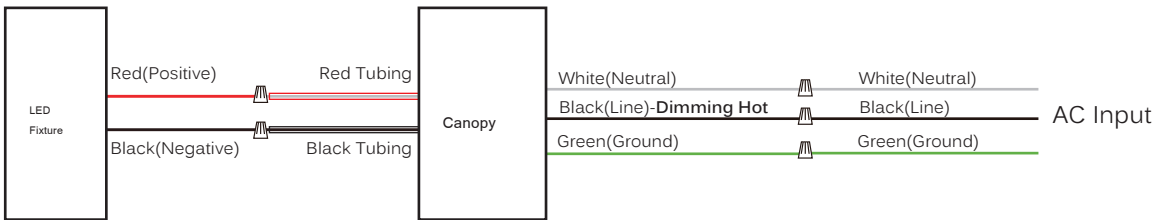
ADVANCED HIGH CEILING Edge 4 - Power Line Mount

Wiring Diagram

0-10V



TRIAC



Non-Dimming

