

ADVANCED HIGH CEILING

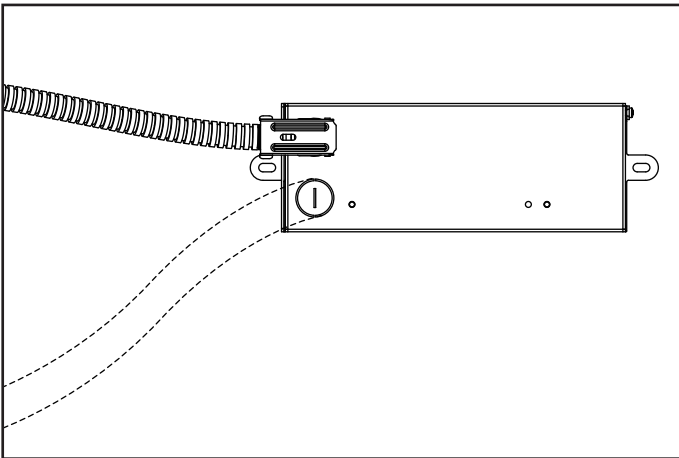
Edge 4 - Cord Mount | Remote Power



**IMPORTANT SAFETY INFORMATION.
READ AND FOLLOW ALL SAFETY INSTRUCTIONS**

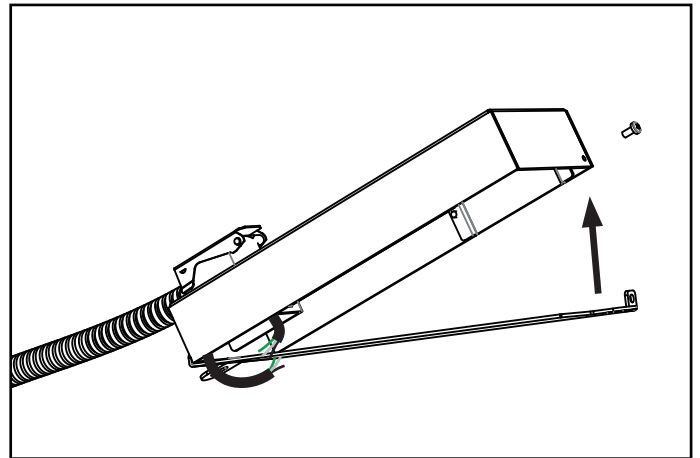
IMPORTANT SAFETY INFORMATION. READ AND FOLLOW ALL SAFETY INSTRUCTIONS. Before wiring to power supply and during servicing or relamping, turn off power at fuse or circuit breaker. All servicing or relamping must be performed by qualified service personnel. Product must be grounded to avoid potential electric shock or other potential hazard. Product must be at locations and at heights and in a manner consistent with its intended use, and in compliance with Electrical Code and local codes.

SAVE THESE INSTRUCTIONS FOR FUTURE REFERENCE.



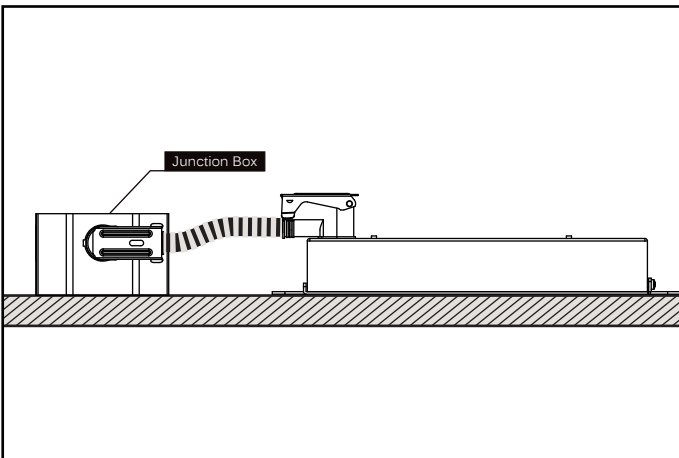
Step 1

Remove knockout and connect flexible conduit (not included).



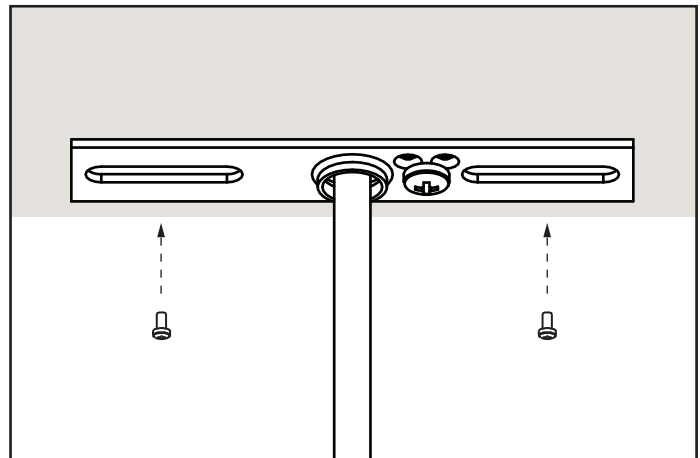
Step 2

Open the remote power box, make AC and Dimming electrical connections based on the wiring diagram and close the remote power box.



Step 3

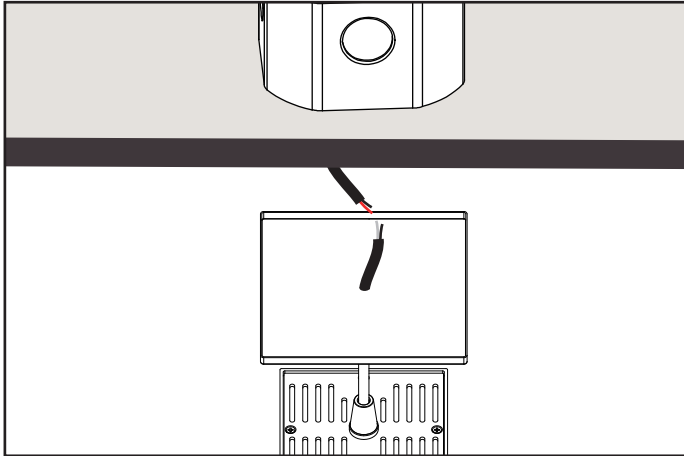
Connect the flexible conduit to the junction box (not provided).



Step 4

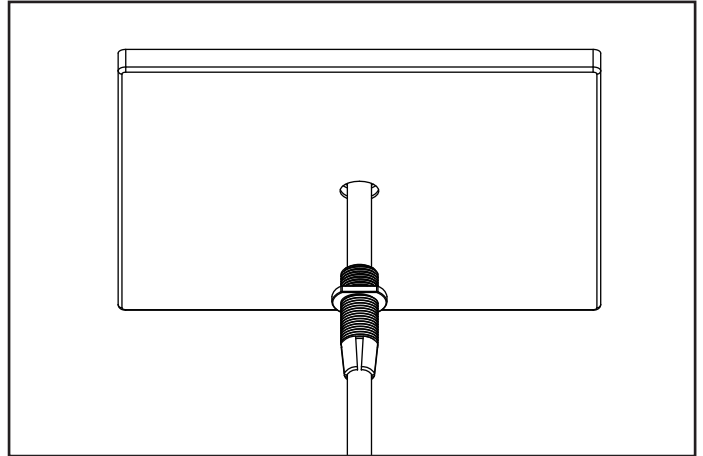
Screw the crossbar to the desired place on the ceiling and screw in place.

ADVANCED HIGH CEILING Edge 4 - Cord Mount | Remote Power



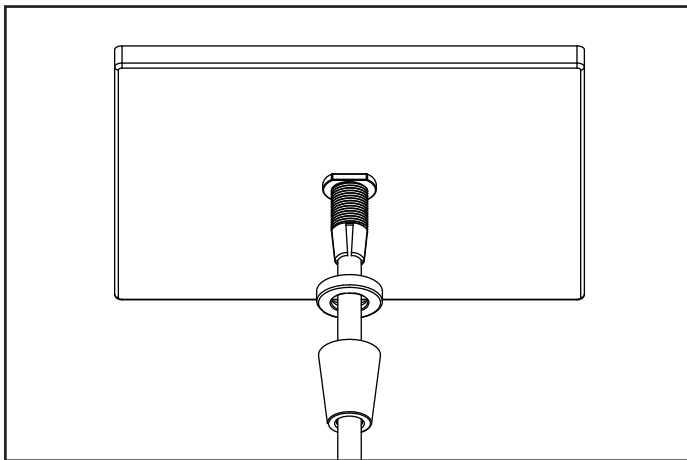
Step 5

Make DC electrical connections to the fixture based on the wiring diagram.



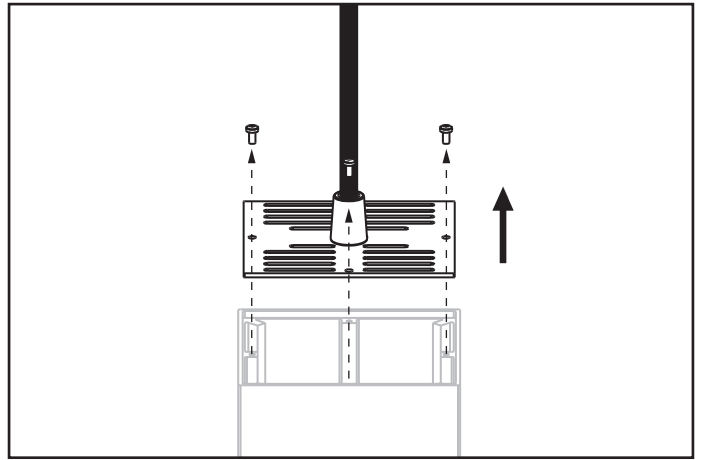
Step 6

Fasten the cord gripper to the base of the canopy.



Step 7

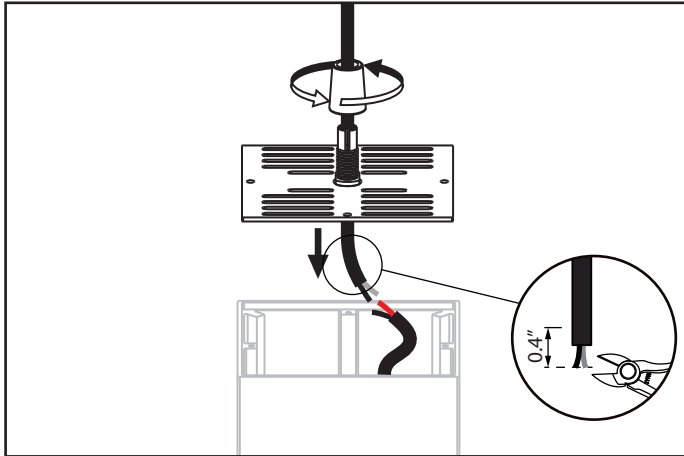
Secure the canopy by tightening the cord grip.



Step 8

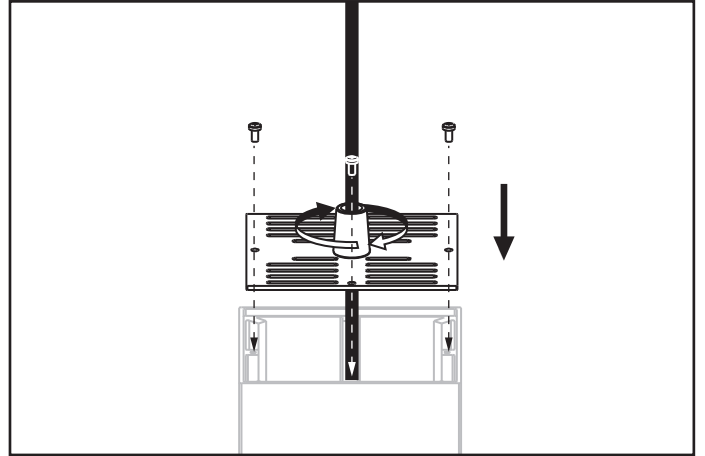
Remove 4 Phillips screws holding the fixture plate to adjust mounting height.

ADVANCED HIGH CEILING Edge 4 - Cord Mount | Remote Power



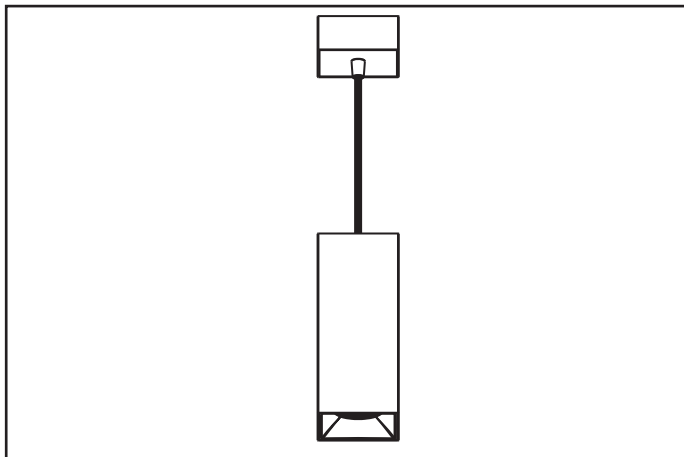
Step 9

Turn anti-clockwise to loosen the Cord gripper. Cut to desired length.



Step 10

Once fixed at the desired mounting height, screw back 4 phillips screws.



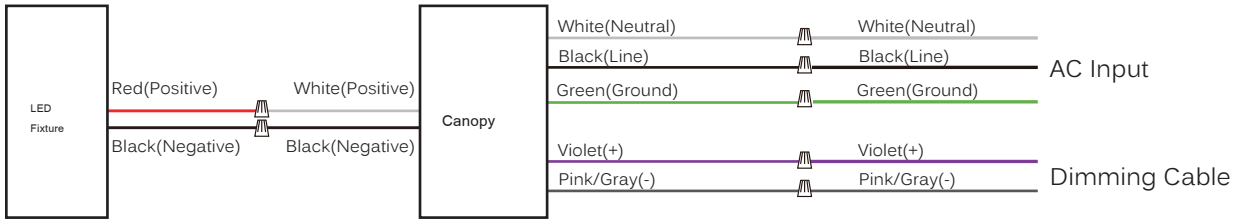
Step 11

Fixture Installation complete.

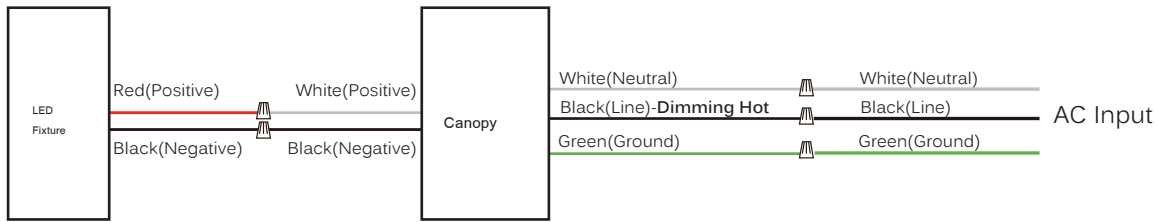
ADVANCED HIGH CEILING Edge 4 - Cord Mount | Remote Power

Wiring Diagram

0-10V



TRIAC



Non-Dimming

