

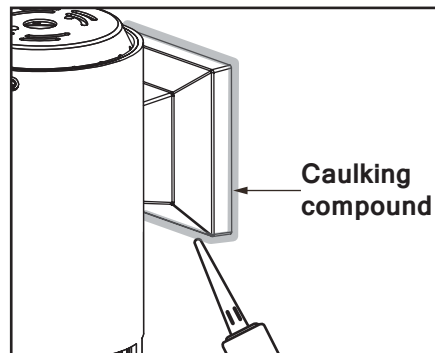
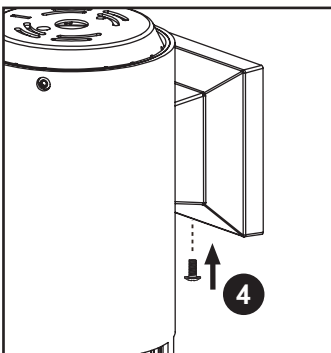
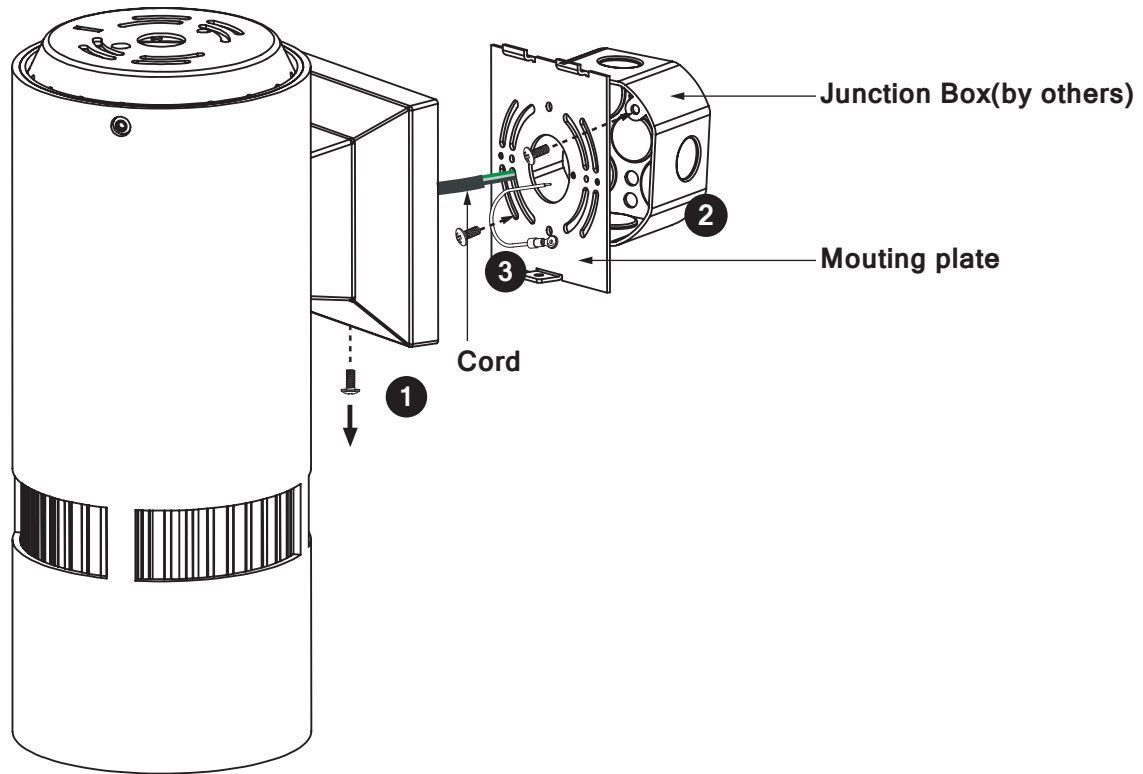
# ADVANCED HIGH CEILING Atria 6 - Wall Mount



## IMPORTANT SAFETY INFORMATION. READ AND FOLLOW ALL SAFETY INSTRUCTIONS

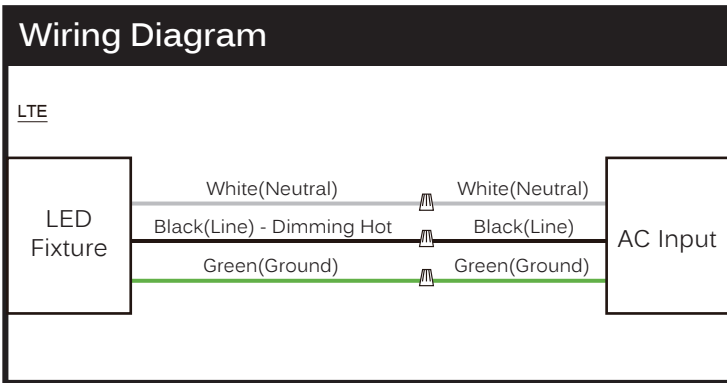
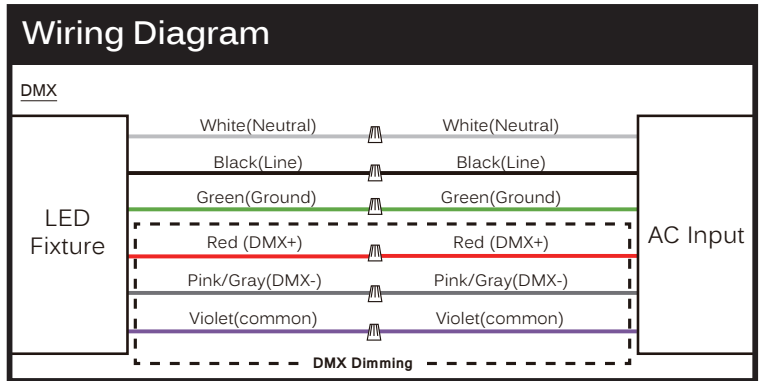
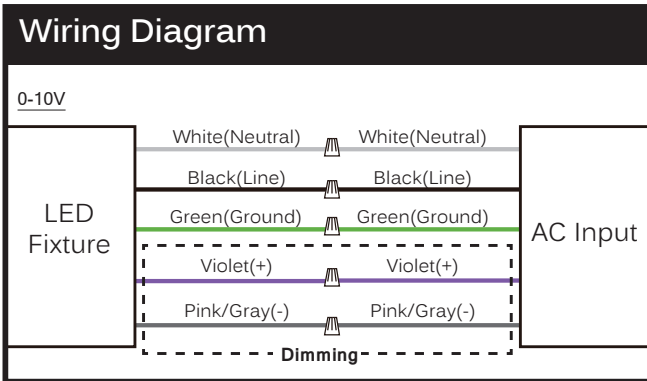
IMPORTANT SAFETY INFORMATION. READ AND FOLLOW ALL SAFETY INSTRUCTIONS. Before wiring to power supply and during servicing or relamping, turn off power at fuse or circuit breaker. All servicing or relamping must be performed by qualified service personnel. Product must be grounded to avoid potential electric shock or other potential hazard. Product must be at locations and at heights and in a manner consistent with its intended use, and in compliance with Electrical Code and local codes.

**SAVE THESE INSTRUCTIONS FOR FUTURE REFERENCE.**



1. Detach mounting plate from wall mount bracket.
2. Attach mounting plate to junction box with screws from junction box.(by others).
3. Make electrical connections based on the wiring diagrams.
4. Secure fixture to mounting plate by locking the hex screw from underneath.
5. For wet location applications, use a silicone-based caulking compound along the perimeter of the wall mount bracket.

# ADVANCED HIGH CEILING Atria 6 - Wall Mount



- When placing order, please indicate DMX address. (The DMX address will be listed on the back of the fixture.)
- The LED fixture will have 2 DMX positive / Negative wires for connection.
- The final fixture should be terminated by the use of DMX Terminator (by others).

## DIMENSIONS

